

Christalyn Thomas  
Auburn University  
182 S. College Street  
Auburn University, AL 36849

March 15, 2023

Dear Ms. Thomas,

We appreciate the opportunity to respond to the AU-2023-0000634 solicitation for Grounds Maintenance Equipment, Tractors, Mowers and Related Products, Parts and Services for use by Auburn University and GovMVMT members throughout the US. It would be an honor to be awarded this contract and provide high quality products and services to AU and GovMVMT members.

As an organization, Toro is very familiar with the processes that public agencies must abide by when purchasing products and services and we recognize the benefits that this agreement can provide GovMVMT members in terms of efficiency, product evaluation, cost savings and reduced purchasing cycle time. Toro is also committed to improving the environment through our sustainability initiatives and product development that will help shape the future for grounds maintenance.

I will serve as your primary contact and have identified points of contact for each of our categories, as well as a dedicated marketing manager who will lead our marketing initiatives that will help support and drive awareness of this program across the US. Each of our distributors have Territory Managers that are assigned to specific locations and will provide dedicated focus on a local level.

This response includes participation from Toro's Commercial, Landscape Contractor Equipment (LCE), LCE SNOW, Siteworks Systems (SWS), Ventrac, BOSS Snow Removal Equipment, Golf Irrigation and ResComm Irrigation divisions. We are confident we represent the most complete offering for your ground maintenance equipment needs, not only for UA, but also for public agencies nation-wide. We look forward to supporting and growing this contract with you and other GovMVMT member agencies.

Thank you for your consideration of The Toro Company as your Grounds Maintenance Equipment, Tractors, Mowers and Related Products, Pars and Services provider.

Best regards,



Jon Stodola  
Government Contracts Manager  
The Toro Company



# Always Solving Always Evolving

How The Toro Company can help Auburn University and GovMVMT member agencies achieve cost savings and reduce purchasing cycle times with the most comprehensive offering of Grounds Maintenance and Related Parts and Services.

Prepared for: Christalyn Thomas, Strategic Sourcing Analyst, Auburn University

Prepared by: Jon Stodola, Government Contracts Manager, The Toro Company  
jon.stodola@toro.com

**March 15, 2023**

# Table of Contents

**Executive Summary ..... 3**

**Our Understanding of UA/GovMVMT Needs ..... 3**

        Scope of Work ..... 3

        Desired Outcome ..... 4

**Toro's Recommendation for AU/GovMVMT ..... 5**

        Product Offering ..... **Error! Bookmark not defined.**

        Quality ..... 6

        Distribution Network ..... 6

**Conclusion ..... 7**

## Executive Summary

Thank you for inviting The Toro Company to participate in the AU/GovMVMT RFP for Grounds Maintenance Equipment, Tractors, Mowers and Related Products, Parts and Services. The entire Toro team is eager to partner with AU/GovMVMT, and having carefully considered your needs, we are very confident we can deliver a solution that will provide significant efficiencies and competitive advantage to your organizations.

In this executive summary, we outline how our solution will address AU/GovMVMT's stated requirements and deliver on your desired outcomes. We provide a high-level overview of Toro's offering, before then providing justification as to why Toro is the right choice for AU/GovMVMT.

### Our Understanding of AU/GovMVMT's Needs

Auburn University, acting as the lead public agency, for itself and all States, local governments, school districts, higher education institutions, nonprofit organizations, and all other government agencies is soliciting a proposal for Grounds Maintenance Equipment, Tractors, Mowers and Related Products, Parts and Services.

In addition, Participating Public Agencies may choose to participate in the Lead Public Agencies' Master Agreement by registering and entering into a Master intergovernmental Cooperative Purchasing Agreement (MICAPA) in combination with GovMVMT. GovMVMT will provide marketing support of the Master Agreement and the awarded supplier(s) to Participating Public Agencies throughout the US.

#### *Scope of Work*

The awarded supplier is expected to propose the broadest possible selection for grounds maintenance equipment they offer. The intent of this RFP is to provide Participating Public Agencies with a full range of solutions to meet their field care, landscaping, and grounds-keeping needs. Experience is defined as including, but not limited to:

1. **Tractors** - A comprehensive selection of tractors including, but not limited to, heavy duty, standard utility, compact and sub-compact products offered by Proposer.
2. **Mowers** - A comprehensive selection of walk behind self-propelled, zero-turn and riding mowing equipment offered by Proposer.
3. **Irrigation** - systems, equipment, parts, and related installation and maintenance services.
4. **Small Construction Equipment** - A comprehensive selection of compact loaders, underground drilling equipment, etc. offered by Proposer. These items are mainly used for small renovation projects at facilities.
5. **Other Equipment** - A complete offering of large and/or small equipment such as cutters, finishing mowers, disc harrows, box scrapers, edgers, chainsaws, pruners, trimmers, blowers, sprayers, aerators, dozers, rotary brooms, v-plows, dethatchers, snow removal equipment and other handheld and non-handheld lawn equipment offered by Proposer.

6. **Parts** - A complete offering of Original Equipment Manufacturer (OEM) and non-OEM repair and maintenance parts offered by Proposer.

7. **Related Products and Services** - Any related products as well as services, such as repair services and any other services offered by Proposer.

8. **Green Initiatives** – An example would be the introduction of electrified products (Electrification).

### *Desired Outcome*

#### **Cost Savings**

To achieve cost savings for Suppliers and Participating Public agencies through a single competitive solicitation process that eliminates the need for multiple bids or proposals. Participating Public Agencies may also reap the benefit of National volume pricing regardless of agency size. Additional volume incentives may be included in the Suppliers response.

#### **Comprehensive Product Offering**

To receive the broadest possible offering of quality Grounds Maintenance Equipment, Tractors, Mowers and Related Products, Parts and Services to meet their field care, landscaping, and grounds-keeping needs.

#### **Environmentally Responsible Products and Services**

To provide Participating Public Agencies with environmentally responsible products and services – e.g. electrification and other alternative fuels.

## Toro's Recommendation for AU/GovMVMT

With roots dating back to 1914, The Toro Company was built on a tradition of quality and caring relationships. Today, the company is a leading provider of innovative solutions for the outdoor environment including turf and landscape maintenance, snow and ice management, specialty construction, and irrigation solutions. Through a strong network of professional distributors and dealers in all 50 states, we proudly offer a wide range of products across a family of brands to help government and educational institutions – in addition to many leading sports venues and historic sites around the country.

### *Product Offering*

Toro offers the widest array of turf equipment in the industry, including a full line of mowing equipment from 21" rotary mowers to rotary mowers with up to 16' width of cut, reel mowers, aeration equipment, sprayers, debris removal equipment, material handling, greens rollers, zero turn mowers, four wheel steer mowers, snow removal attachments, compact utility loaders, and utility vehicles to meet the needs of any golf course, park, sports field and general grounds maintenance. Below is a list and description of each of the categories included in our proposal:

#### **Commercial Equipment**

The Commercial Equipment line consists of the widest variety of grounds maintenance equipment used by government agencies. This category includes rotary and reel mowers, infield groomers, utility vehicles, sport field turf tractors, debris blowers, vacuums, sweepers, specialty mowers, synthetic turf equipment, renovation equipment, aerating equipment, sprayers, seeders, green rollers, bunker rakes, topdressers and groomers. The Commercial Equipment line offers electric, gas, diesel, and hybrid options for equipment.

#### **Landscape Contractor Equipment (LCE)**

LCE Equipment is a leader in electric mowers, snow throwers and battery handheld equipment. This category includes Zero-Turn mowers, stand-on mowers, sprayers and turf renovation equipment.

#### **LCE SNOW**

As a continuation of the electrification offering of LCE equipment, the LCE SNOW group offers a full line of battery powered, single and double stage snow throwers. It also includes gas push and stand-on options for snow removal equipment.

#### **Sitworks System (SWS)**

SWS offers equipment that does the work of several machines in one, saving both time and money for public agencies. This category includes excavating material handling and grading equipment, including the all-electric e-Dingo. Attachments include trencher, grapple rake, buckets, floor scraper, cement bowl, backhoe, forks, auger, hydraulic breaker, leveler, tree forks, snow throwers, stump grinder, tiller, soil cultivator, plow attachments, and trench filler.

### Ventrac

Ventrac is a premier innovator of turf tractors and equipment for turf and landscape grounds management, sidewalk snow removal, and specialty grounds care maintenance. Built for performance with quality to last, Ventrac equipment is ideal for golf course turf management, sports fields, collegiate campuses, and public green spaces.

### BOSS Snowplows

BOSS is a leader in the snow and ice management business with a growing lineup of plows for trucks, UTVs and ATVs, salt and sand spreaders, and box plows built for the toughest professionals.

### Golf Irrigation Equipment

From Irrigation Control Systems to sprinkler valves and heads, Toro has everything you need to completely renovate, replace, or build your new golf course irrigation system.

### ResComm Irrigation Equipment

Central Control systems, rotors and sprinklers, drip irrigation, sensors and reports for sports fields and municipalities, valves, and everything in between. Toro has everything to maintain your city, parks, gardens or sports field / complex irrigation needs.

### *Quality*

A comprehensive offering isn't enough. We also believe you must have the highest quality of equipment as well. Through our innovation and quality assurance procedures, Toro maintains the highest level of quality products and runtime in the industry. This is proven through the residual resale value of our equipment, customer feedback and product downtime. All of this adds to the Total Cost of Ownership and value your members will receive when partnering with Toro Equipment.

### *Distribution Network*

Another differentiator is our distribution network. We have thousands of highly trained and educated dealers throughout the US ready to support this agreement. Regardless of quality, issues will arise at times and it makes a difference how those issues are handled. Toro's distribution network is the best in the business. They are experienced, educated, and timely with their support to all customers, regardless of size and/or scope. Here are a few quotes from a recent Customer Survey:

*"The ease of ordering Toro parts, and the timeliness in which we get those parts, is why we constantly win with Toro."*

*"My entire stable is toro. Due to the excellent service and support provided by EH Griffith Inc"*

*"I am very pleased with the service and support we receive from our local Distributor, Midwest Turf in Omaha NE"*

## Conclusion

Once again, thank you for considering Toro as your partner for Grounds Maintenance Equipment, Tractors, Mowers and Related Products, Parts and Services.

In conclusion, we are excited at the prospect of working with AU/GovMVMT and are eagerly anticipating welcoming you to our team. We look forward to building a strong, long-term partnership focused on supporting AU and other GovMVMT Participating Public Agencies by achieving the objectives outlined here within and exceeding your expectations along the way.



## Company Information

**Legal Name:** The Toro Company  
**DBA:** Toro or TTC  
**Address:** 8111 Lyndale Avenue South  
 Bloomington, MN 55420  
**Telephone:** 952-888-8801  
**Fax:** 952-887-7211  
**E-Mail:** [ToroGov@toro.com](mailto:ToroGov@toro.com)  
**Website:** [www.Toro.com](http://www.Toro.com)  
  
**Federal ID#:** 41-0580470  
**DNBi #:** 00-647-7400  
  
**# of Employees:** 11,000+  
  
**Incorporated in MN:** 1935  
**Reincorporated in DE:** 1983

## Company Responses

Has the company ever failed to complete work for which a contract was issued? If yes, explain the circumstances.

No. The Toro Company has been serving the government community since its early beginning and has been working with Cooperative contracts for more than 15 years. Both Toro and our distribution network is well versed in working with government agencies and the nuances associated with public purchasing.

Are there any civil or criminal actions pending against the firm or any key personnel related in any way to contracting? If yes, explain in detail. Are there any current unresolved disputes/allegations?

As a large publicly-traded company, Toro and its subsidiaries are susceptible to numerous product liability and employment civil actions at any given time. However, none of these actions would have any significance on the performance of this agreement or our ability to deliver on our proposed solutions.

Has the firm ever been disqualified from working for any public entity? If yes, explain the circumstances.

No. Toro has never been disqualified from working with any public entity.

If a Supplier requires additional agreements to be signed by a Participating Public Agency, include a copy of the proposed agreement(s) as part of the Supplier’s proposal.

Toro does not require additional agreements to be signed by Participating Public Agencies. However, we welcome the opportunity for agencies to piggyback the Master Agreement and provide additional participating agreements as necessary.

## Company Background/History

**Founded July 10, 1914** as The Toro Motor Company to build engines for the #1 brand of farm tractors in the United States – The Bull Tractor Company. The name “Toro” is chosen because of the company’s association with Bull.

**1919** – Toro invents The Toro Standard Golf Machine, the industry’s first mechanized fairway mower, for the Minikahda Club in Minneapolis, thus creating the mechanized golf course equipment industry.

**1922** - Toro’s innovative president, John Samuel Clapper, establishes the first national network of golf course equipment distributors to provide a ready local supply of product and the expert advice and service that superintendents highly value.

**1925** - The combination of an expansive line of innovative products backed by customer-focused distributors helps Toro become the #1 manufacturer of golf maintenance equipment and irrigation solutions in the world.

**1948** - Toro enters the rotary lawnmower business with the acquisition of the Whirlwind Company of Milwaukee, Wisconsin. Toro transforms this small niche product into a dominant factor in the industry by introducing a new enclosed deck design helping eliminate consumer concerns.

**1951** - Toro enters the snow blower business with the introduction of the industrial-grade Snow Boy. The first Toro homeowner snow blower, the Snow Hound, is introduced the following year.

**1962** - Toro enters the underground irrigation business with the acquisition of Moist O’ Matic of Riverside, California, and pioneers the use of plastics in irrigation.

**2014** - The company enters the professional snow & ice management business through the acquisition of BOSS Snowplow of Iron Mountain, Michigan.

**2020** - The Toro Company acquires Venture Products, Inc., the manufacturer of Ventrac-branded turf, landscape, and snow and ice management equipment for the grounds, landscape contractor, golf, municipal and rural acreage markets.

**2021** - The Toro Company acquires Left Hand Robotics, reinforcing its commitment to building expertise in alternative power, autonomous and smart-connected products.

**2021** - The Toro Company acquires Portugal-based Turflynx, recognized for introducing the golf industry’s first fully autonomous, all-electric fairway mower in 2016.

**2022** - Featuring the industry’s first vision-based localization system and wire-free navigation, Toro’s new robotic, battery-powered lawnmower represents the latest in smart, connected technology for homeowners and their yards.

**2022** - Toro unveils its GeoLink Solutions Autonomous Fairway Mower to help golf customers deliver more consistent results, increase productivity and alleviate the issues of labor shortages.

## Executive Officers

### Richard M. Olson

Chairman of the Board, President and Chief Executive Officer



Rick Olson was elected chairman of the board in November, 2017, and as president and chief executive officer in November 2016. Previously, he was elected president and chief operating officer in September 2015 and to the board of directors of The Toro Company in January 2016. Prior to that, he was elected group vice president, international, micro irrigation and distributor development in June 2014, and was named vice president, international in March 2013.

Olson joined Toro in 1986 as a manufacturing process engineer. He has held various positions in operations and engineering at five Toro locations—including manager of advanced manufacturing, commercial engineering program manager, director of Shakopee plant operations, and managing director of northern manufacturing operations. In 2010, he was named general manager of Exmark, and was appointed vice president of Exmark in 2012.

Olson earned a Bachelor of Science in industrial technology from Iowa State University and a Master of Business Administration from the University of Minnesota – Carlson School of Management. He serves on the boards of The Toro Foundation, and the Board of Overseers of the University of Minnesota Carlson School of Management.

### Kevin N. Carpenter

Vice President, Global Operations and Integrated Supply Chain



Kevin Carpenter joined The Toro Company as vice president, global operations and integrated supply chain in December 2021 from Carrier Global Corporation. In his new role, he has responsibility for procurement, manufacturing, order services, transportation and logistics.

Carpenter previously served as vice president of operations for Residential and Light Commercial Systems at Carrier and held other leadership positions in the organization including vice president of quality and continuous improvement and vice president of advanced manufacturing. Prior to joining Carrier, Carpenter was vice president of manufacturing services at Rockwell Automation, Inc. He also held earlier engineering and operations roles at General Electric, Magna International, Nexxus Lighting and General Motors/Delphi.

Carpenter holds a Master of Business Administration from the Weatherhead School of Management at Case Western Reserve, a Master of Science in industrial engineering and engineering management from Youngstown State University, a Bachelor of Science in electrical engineering from Georgia Institute of Technology and a Bachelor of Science in general engineering, with a minor in mathematics, from Morehouse College. He also completed Finance for Senior Executives at Harvard Business School in 2021, and holds a Master of Arts in Biblical Studies from Ashland University.

## Executive Officers

Angela C. Drake  
 Vice President and Chief Financial Officer



Angie Drake was elected vice president and chief financial officer in March 2023. Prior to that, she served as vice president, finance from July 2022 to March 2023, and vice president, construction from April 2020 to June 2022. Drake joined The Toro Company as senior managing director and integration co-lead when Charles Machine Works was acquired in April 2019. Drake is responsible for all financial areas of the company including tax, controllership, internal audit, corporate liability and risk management, banking relations and investor relations.

Drake originally joined Charles Machine Works in September 1997 and subsequently held a series of staff and management accounting roles leading to her appointment as corporate controller and treasurer in 2007. She then was named CFO and secretary-treasurer of Charles Machine Works in 2011 and served in this role until 2019.

Drake earned a Bachelor of Science in accounting from the University of Central Oklahoma and is a Certified Public Accountant. She is a member of the American Institute of Certified Public Accountants and the Oklahoma Society of Certified Public Accountants. She serves on the board of directors of the First Bank & Trust Company.

**Edric C. Funk**  
 Group Vice President, Golf, Grounds and Irrigation



Edric Funk was appointed group vice president, golf, grounds and irrigation in November 2022. He previously served as general manager of Sitework Systems from November 2020, and prior to that led The Toro Company’s Center for Technology, Research and Innovation (CTRI) from July 2017 to October 2020.

Funk joined The Toro Company in 1996 as a design engineer in the landscape contractor business. He also held roles in residential and landscape contractor, international and commercial marketing, including as director, global product management for the commercial and international divisions.

Funk graduated magna cum laude with a Bachelor of Science in engineering from the University of Minnesota. He also holds a Master of Business Administration from The University of Minnesota – Carlson School of Management with a concentration in marketing and strategic management and a Professional Certificate in innovation & technology from the Massachusetts Institute of Technology.

## Executive Officers

### Margeaux M. King

Vice President, Human Resources



Margeaux King joined The Toro Company as vice president, human resources in August 2022 from Ecolab, a global leader in water, hygiene and infection prevention solutions and services.

King previously served as senior vice president of human resources, global total rewards and talent at Ecolab with responsibility for leading compensation, benefits, and enterprise-wide talent management and acquisition strategies. She also held several other leadership positions within Ecolab where she led key human resources strategies including culture initiatives, organizational design, employee development and diversity, equity and inclusion.

King holds a Bachelor of Science in human resource development from the University of Minnesota, and a Master of Arts in management and a Master of Business Administration in organizational change from the College of St. Scholastica in Duluth, Minnesota. She also completed the Modern CHRO Executive Program from Cornell University in Ithaca, New York.

### Amy E. Dahl

Vice President, International, General Counsel and Corporate Secretary



Amy Dahl was appointed vice president, international in March 2023 and continues to serve as general counsel and corporate secretary until a successor is named, positions she has held since January 2020. She previously serviced as vice president, human resources and general counsel from November 2020 to August 2022, and vice president, human resources, distributor development and general counsel from January 2020 to November 2020. Prior to that, she was vice president, human resources and distributor development from December 2016 to January 2020, and vice president, human resources from March 2015 to December 2016.

Dahl joined The Toro Company in 2007 as corporate counsel and served in various legal roles of increasing responsibility, including as assistant general counsel and assistant secretary until June 2013. She provided legal counsel primarily in the areas of securities law, corporate governance, mergers and acquisitions, and general corporate law, and had oversight responsibility for the Company’s product integrity team. From 2012 to 2014 she served as chair of the committee responsible for planning the Company’s centennial celebration. She also served as managing director, corporate communications and investor relations from June 2013 to March 2015.

Dahl earned a Bachelor of Arts in political science from the University of Minnesota Twin Cities and a Juris Doctor, with distinction, from The University of North Dakota School of Law where she was a member of the Order of the Coif. She serves on the boards of the Greater Twin Cities United Way and The Toro Foundation.

## Executive Officers

Gregory S. Janey  
Group Vice President, Landscapes and Contractor



Greg Janey was appointed group vice president, landscapes and contractor in November 2022 with added responsibility for the Exmark, BOSS Snowplow and Intimidator Group. Janey has served as vice president, residential and landscape contractor since December 2019 and expanded his leadership role in November 2020 to include The Toro Company's Center for Technology, Research and Innovation (CTRI) and lead the Technology Strategy Council. Previously, Janey served as general manager of residential and landscape contractor from November 2017 to December 2019, and as director of marketing for international from March 2015 to November 2017.

Janey joined The Toro Company in 2004 as a marketing associate in the commercial division and was named marketing manager in 2005. He subsequently held roles in commercial marketing until 2008 when he joined the international division as senior manager of marketing. In 2010, Janey moved to the residential mass sales team as national account manager. He was subsequently named director of residential mass sales and national accounts, where he served from December 2011 to March 2015.

Janey earned a Bachelor of Science in mechanical engineering from North Dakota State University, a Master of Business Administration from the University of Minnesota - Carlson School of Management and completed the Booth School of Business - Advanced Management Program at The University of Chicago.

Jody M. Christy  
Vice President, BOSS



Jody Christy was appointed vice president, BOSS, in November 2018. Prior to that, he served as general manager of BOSS from June 2016 to November 2018. Christy joined The Toro Company as director of Engineering at BOSS when the BOSS professional snow and ice management business was acquired in November 2014. Christy has overall responsibility for sales, marketing, product development, quality, and customer service within the BOSS division.

Christy earned a Bachelor of Science in mechanical engineering from Michigan Technological University and attended the Kellogg School of Business Executive Development Program at Northwestern University.

## Top 5 Most Relevant or Comparable Contracts

Cooperative Contracts and/or State or Local Government Contracts

Entity Name	Scope of Service	Dollar Value	Project Personnel	Contact Information
Kinetic GPO	Canadian based Group Purchasing Organization focused on Grounds Keeping Equipment and Related Services for MASH agencies throughout Canada.	Confidential	Jon Stodola	Michell McCarthy 226-972-2787 <a href="mailto:Michelle@kineticgpo.ca">Michelle@kineticgpo.ca</a>
NASPO ValuePoint	National Cooperative focused on US State procurement and poly-substitutions of (1) Tractors, (2) Towed Gang Mowers, (3) Utility Vehicles, (4) Medium Duty Riding Mowers, and (5) Turf Maintenance Equipment	Confidential	Jon Stodola	Solomon Kingston 801-948-2577 <a href="mailto:skingston@naspovaluepoint.org">skingston@naspovaluepoint.org</a>
OMNIA Partners	National Cooperative contract focused on US State/Local/Education (SLED) agency utilization of Grounds Maintenance Equipment, Parts, Accessories, Supplies, Related Services, and Equipment.	Confidential	Jon Stodola	Braden Ash <a href="mailto:braden.ash@omniapartners.com">braden.ash@omniapartners.com</a>
Sourcewell	National Cooperative contract focused on Landscape & Grounds Maintenance Equipment for all public agencies through the US and Canada.	Confidential	Jon Stodola	Scott Carr 218-895-4155 <a href="mailto:scott.carr@sourcewell-mn.gov">scott.carr@sourcewell-mn.gov</a>
State of New York	State contract that piggybacks the Sourcewell agreement and allows all SLED agencies within the State to utilize for Grounds Maintenance Equipment.	Confidential	Jon Stodola	Jacqueline Burke 518-8461821 <a href="mailto:Jacqueline.burke@ogs.ny.gov">Jacqueline.burke@ogs.ny.gov</a>

## Top 5 Most Relevant or Comparable Contracts

### Top Individual Public Agency Customers

Entity Name	State	Scope of Service	Dollar Value Past 3 Years	Project Personnel	Contact Information
Confidential	California	Golf, Turf & Landscape Equipment & Irrigation	\$5M-\$6M	TurfStar Western	Confidential
Confidential	California	Golf, Turf & Landscape Equipment & Irrigation	\$3M-\$4M	TurfStar Western	Confidential
Confidential	Ontario	Golf, Turf & Landscape Equipment	\$3M-\$3.5M	Turf Care	Confidential
Confidential	Nevada	Golf, Turf & Landscape Equipment	\$2.5M-\$3M	Simpson Norton	Confidential
Confidential	Wisconsin	Golf, Turf & Landscape Equipment	\$2.5M-\$3M	Reinders Turf & Irrigation	Confidential

\*A list of formal references may be available upon request.



## Product Information/Service Capability Responses

Include detailed catalogs of new products, services, descriptive literature, and/or website link that list all equipment items and services that can be provided by the Proposer under this contract.

All products offered in response to AU-2023-0000634 can be found at the following websites:

[www.Toro.com](http://www.Toro.com) / [www.ventrac.com](http://www.ventrac.com) / [www.bosspow.com](http://www.bosspow.com)

In addition, attached is a copy of the *TTC\_Tab 5\_2023 Commercial Equipment Guide* and *TTC\_Tab 5\_2023 Performance Parts Catalog* that will make up the bulk of the equipment purchased through this agreement.

Provide detailed information on service capability and the availability of service centers for maintenance and repairs on a national level. Indicate how many authorized service centers will be available for each state. Will pick-up and delivery services be available for the service of large equipment items?

Toro utilizes our channel partners to provide service and support to our end user customers. For our Commercial division we have 23 distributors in the US with many satellite offices to meet your needs. They have protected territories which allows them to make significant investments in their facilities and people to support the equipment and services they provide. They provide on-site mobile service or agencies can have the equipment serviced at their shop location.

The Toro Company also provides technical assistance and support to our distributor operations teams. This includes troubleshooting equipment issues, providing updates to equipment, issuing service bulletins, working through warranty issues, implementing performance standards and measurements, providing on-site support when needed for product quality concerns and developing action plans for improvement.

We have processes in place to help our channel partners exceed the needs of our customers, developed through over 100 years of experience. These include Third Party monitoring of our customers' opinions of our service and developing improvements as necessary to achieve high Customer Satisfaction scores. Toro distribution regularly ranks high in Customer Satisfaction through this Third-Party monitoring.

Provide available ordering methods – online ordering, order tracking, search options, order history, etc.

GovMVMT members will submit purchase orders directly to an authorized Toro distributor/dealer. GovMVMT members can contact Toro directly to verify a specific dealer and/or pricing provided by our local distributor/dealers. GovMVMT members may also confirm their authorized distributor/dealer online at [www.toro.com/locator](http://www.toro.com/locator).

Through our network of local distributors/dealers, Toro is able to maintain an average fill rate of 94% on (parts) stocking items. Whologood delivery details are agreed upon between the dealer/distributor and the end user customer at the time of order. Should there be any delay in the agreed upon delivery date, the dealer/distributor will notify the end user customer to determine a mutual solution.

In addition, Toro offers an exclusive online ordering and asset management tool, called myTurf Pro. myTurf Pro is a powerful and easy-to-use, application that seamlessly connects member’s assets and maintenance program, regardless of brand. myTurf Pro creates efficiency by automating routine tasks, easily ordering parts, managing maintenance assignments, and tracking task completion. “At a glance” overviews keep them informed of asset status.

### **Toro Genuine Parts**

Reliability - Most local distributors deliver parts within 24 hours. Toro backs this promise with 48-hour delivery support on most items.

Toro also provides Maintenance Value Performance (MVP) Kits for many common maintenance jobs, including filter change kits, hydraulic hose replacement kits, cutting unit overhaul kits, roller rebuild kits, and more. All the required parts are included in a single package to make ordering and completing the job easier and less expensive. Whether you are rebuilding rollers, replacing hydraulic hoses, or overhauling your cutting units, Toro MVP Kits make it simple to order all the necessary parts for the job.

Provide available payment terms and payment methods – purchase order, credit card (procurement card), etc. If credit cards are accepted, may credit card payment(s) be made online?

Each of our distributors/dealers have their own platform for processing orders from receipt to billing. The process and methods may vary by location and will be determined between the local distributor/dealer and the participating agency at the time of order. Options may include, Check, Credit Card, Procurement Purchasing Cards, and Financed.

In addition to new products, indicate if used, trade-ins, leasing/financing, or other offerings are available.

### **Used and Demonstrator Equipment**

Toro proposes that Used and Demonstrator equipment be available for purchase with this agreement. The pricing for these products would be mutually agreed upon at time of sale as they are dependent on product and market conditions.

### **Third Party Attachments**

Toro proposes that Third party Attachments be available for purchase with this agreement. An example of this would be a snow thrower or power broom made by a third party that attaches to our equipment. Determined by dealer but will not exceed list price and may include setup and freight charges.

### **Leasing Options**

Multiple leasing and financing options are supported by Toro and available from our distributors/dealers. Details for Tax-exempt financing and Fair Market Value leasing can be found in response to question E1 in Exhibit B.

### **Trade-In Equipment**

Equipment trade-in is available through this program. Trade-in values would be mutually agreed upon at the time of sale by the distributor/dealer and end-user agency with pricing dependent on the product and market conditions.



Count on it.

# 2023 PERFORMANCE PARTS QUICK REFERENCE GUIDE



**WHAT** Local support you can depend on, year in and year out

**MATTERS** A commitment to you and your club's success

A collage of logos for various Toro distributors and a central badge. The badge in the center reads "AVERAGE 40+ YEARS OF LOCAL SUPPORT". The logos include: PROFESSIONAL TURF PRODUCTS, CENTURY Equipment, Ness TURF EQUIPMENT (A Hawthorne Company), GRASSLAND EQUIPMENT & IRRIGATION CORP. (www.grasslandcorp.com), Hector Est. 1912, Spartan Distributors, TURF EQUIPMENT & IRRIGATION INC., Reinders, STC Storr Tractor Company, Midland Implement, TURF STAR WESTERN (TSW), MIDWEST TURF & IRRIGATION (EST. 1980), KENNEY OUTDOOR SOLUTIONS, MAZERGROUP, FU-FLO INDUSTRIES LTD., mti DISTRIBUTING, Veseys EQUIPMENT (Golf, Turf, Lawn & Garden), TURF EQUIPMENT AND SUPPLY COMPANY, LL JOHNSON EST. 1976 DISTRIBUTING COMPANY, WESCO TURF INC., OAKCREEK Golf & Turf LP, Jerry Pate Turf & Irrigation, SIMPSON SOLUTIONS The Service Network, tpc turf products, TURF CARE (Helping your business grow.), GRIFFITH, and STI.

**MOST** Outstanding playing conditions and happy members

**What Matters Most to You Matters Most to Us.**

*This is more than equipment; it's an investment. In your course. Your crews. And your peace of mind. Keep your operation running smoothly with some of the most dependable products in the business, backed by local support that's second to none.*

**Call your local Toro distributor today: 800-803-8676**



# FEATURED ITEMS

Equipment	Descriptions	Part No.
<b>New Longer Window Tines</b>		
Procore 440/660/648/864/880/1298	Titan quad, 3/8" Mount (5.00" x .46", .32")	137-6526 (replaces 108-9109)
Procore 440/660/648/864/880/1298	Titan quad, 3/8" Mount (5.00" x .55", .41")	137-6527 (replaces 108-9110)
Procore 440/660/648/864/880/1298	Titan quad, 3/8" Mount (5.00" x .58", .48")	137-6529 (replaces 108-9294)
Procore 440/660/648/864/880/1298	Titan quad, 3/8" Mount (5.00" x .36", .25")	138-5937 (replaces 108-9108)

Equipment	Descriptions	Part No.
<b>New Single Assembly Tines</b>		
Procore® SR Series Tines	Tine assembly .500" x 5.5" (3/8" MNT)	139-8618 (replaces SGC05550)
Procore® SR Series Tines	Tine assembly .687" x 7.0" (12mm MNT)	139-8616 (replaces SGC07624)
Procore® SR Series Tines	Tine assembly .813" x 7.0" (12mm MNT)	139-8625 (replaces SGC07754)
Procore® SR Series Tines	Tine assembly .750" x 10.0" (12mm MNT)	139-8620 (replaces SGC10754)
Procore® SR Series Tines	Tine assembly .687" x 7.0" (12mm L-MNT)	139-8614 (replaces SGC07625)
Procore® SR Series Tines	Tine assembly .810" x 10.0" (12mm L-MNT)	139-8613 (replaces SGC10813h)
Procore® SR Series Tines	Tine assembly .750" x 10.0" (18mm L-MNT)	139-8623 (replaces SGC10750)
Procore® SR Series Tines	Tine assembly 1.06" x 8.0" (18mm L-MNT)	139-8628 (replaces SGC08100h)
Procore® SR Series Tines	Tine assembly 1.06" x 10.0" (18mm L-MNT)	139-8617 (replaces SGC10100h)
Procore® SR Series Tines	Tine assembly 1.00" x 10.0" (18mm L-MNT)	139-8619 (replaces SGC10100s)

Equipment	Descriptions	Part No.
<b>Turf Accessories</b>		
Reelmaster Greensmaster	Gauge Bar ASM	108-6715
Reelmaster Greensmaster	Paper, Toro Reel (10 Pack)	125-5610
Reelmaster Greensmaster	Paper, Toro Reel Booklet	125-5623
Various	Service & Parts Manual (USB Drive)	137-5215
Bedknife & Reel	Grind Angle Indicator	131-6828
Bedknife & Reel	Grind Angle Indicator Mount	131-6829
Reelmaster 3105-D/5410-D/5510-D/5210	Seal Oil	112-1690

Equipment	Descriptions	Part No.
<b>Hydarulic Hoses</b>		
Groundsmaster 4700-D	Deck No 6 & 7 Hydraulic ASM Hose	104-5498
Groundsmaster 4700-D	Deck No 6 & 7 Hydraulic ASM Hose	104-5499
Reelmaster 3100-D/3105-D	Mow Circuit Hydraulic ASM Hose	117-5142
Reelmaster 3100-D	Center & Lift Hydraulic ASM Hose	117-5147
Reelmaster 3550/3555/3575 Greensmaster 3300	Hydraulic Lift ASM Hose	119-2065
Reelmaster 5410-D/5510/5610/5610-D	No 1, 4, & 5 Lift Arm Hydraulic ASM Hose	92-5694
Greensmaster 3300 TriFlex	Lift Circuit ASM Hose	119-2053
Greensmaster 3300 TriFlex	Lift Circuit ASM Hose	119-2066
Greensmaster 3300 TriFlex	Lift Circuit ASM Hose	119-2052
Greensmaster 3300 TriFlex	Lift Circuit ASM Hose	119-2050
Greensmaster 3300 TriFlex	Lift Circuit ASM Hose	119-2051

# QUICK REFERENCE GUIDE

8 LUBRICANTS

10 MVP KITS

28 FILTERS

38 BLADES

42 BLADES REFERENCE CHART

44 BEDKNIVE REFERENCE CHART

46 SERVICE REEL REFERENCE CHART

48 TINES

62 TIRES

68 BEARINGS

82 BELTS

86 PARTS LIST



# REELS+™ EDGESERIES REELS+™

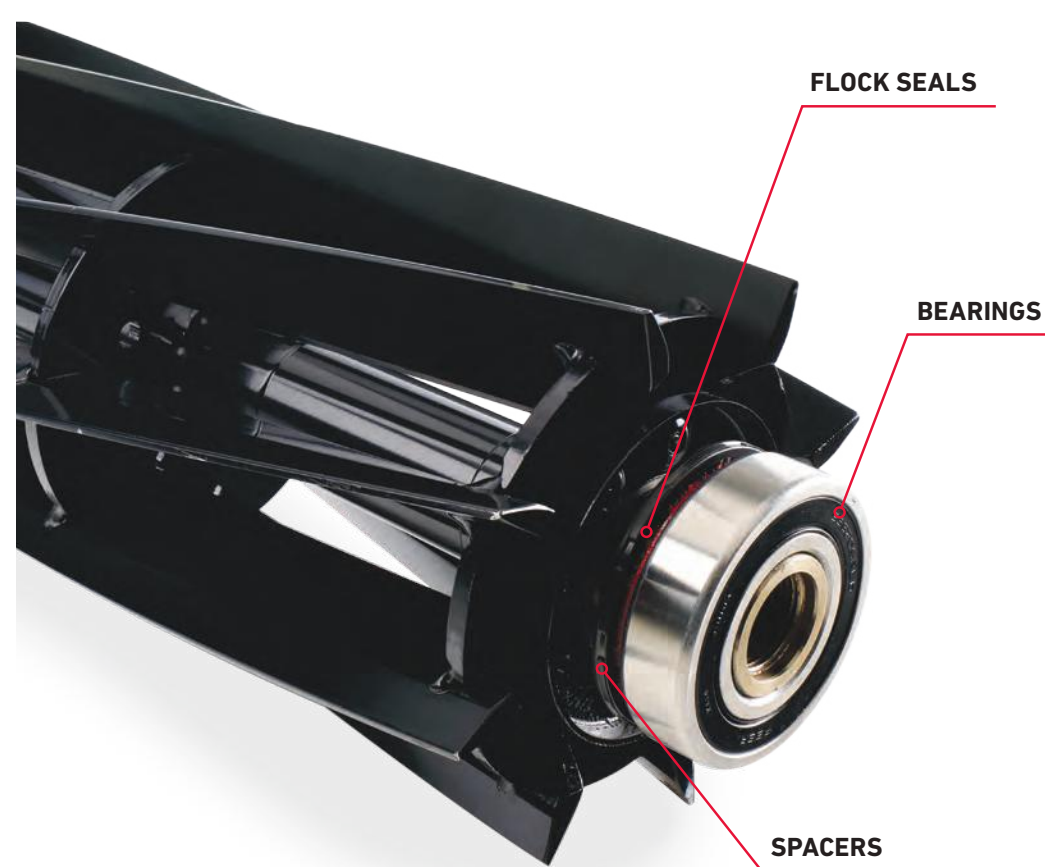
**Save Time, Save Money**

**PLUS** Everything you need for replacing your reels is included & pre-assembled

**PLUS** Parts professionally assembled at the factory

**PLUS** Uses all genuine Toro parts

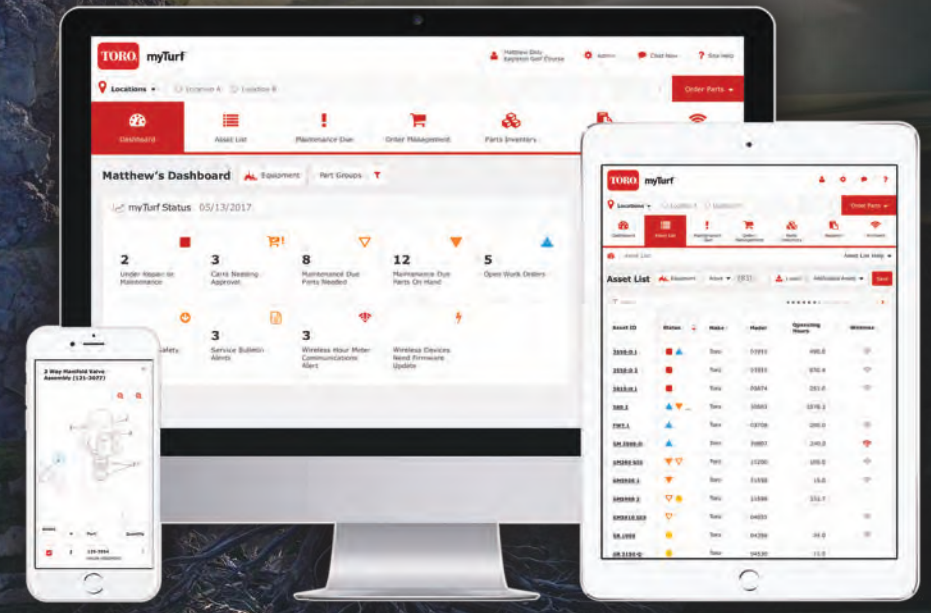
**PLUS** Less time & labor for you, saving you money & resources



**CONTACT YOUR TORO DISTRIBUTOR FOR DETAILS.**



**WHAT** myTurf® Pro Asset Management.  
**MATTERS** Equipment connectivity.  
Maintenance notifications. Parts ordering 24/7.



**MOST** Improving staff efficiency. Reducing overall maintenance costs. Enhancing your reputation.

**What Matters Most to You Matters Most to Us.**  
myTurf Pro is a powerful and easy-to-use, application that seamlessly connects your assets and your maintenance program, regardless of brand. Provide your team with the tools to become more efficient by automating routine tasks, easily ordering parts, managing maintenance assignments and tracking task completion. "At a glance" overviews keep you informed of asset status.  
**Connect. Manage. Maintain. Simplify.**

Join the conversation  
[@ToroGolf](#)

Call: 800-803-8676  
Visit: [toro.com/myturfpro](http://toro.com/myturfpro)

©2021 The Toro Company. All rights reserved.

# Toro PX Hydraulic Fluid

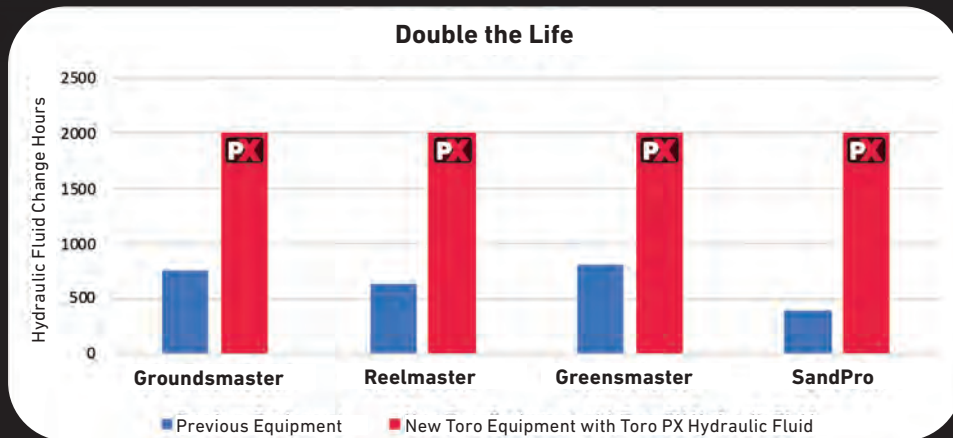
PREMIUM EXTENDED LIFE HYDRAULIC FLUID

## Premium Extended Life Performance, Double the Life.

New extended life PX Hydraulic Fluid is another great innovation from Toro. This new premium hydraulic Fluid performs better & lasts longer than conventional Fluids. This means your equipment will run more smoothly & require fewer hydraulic Fluid changes saving you time & money – Up to 71%. Most 2019 & newer Toro commercial equipment come factory filled with Toro PX Hydraulic Fluid & have change intervals twice as long as previously...up to 2000 hours!

## Features

- Exceptional Hydraulic Efficiency – extended life vs. standard Fluids
- High Viscosity Index – maintains viscosity over wide temperature ranges
- Resistant to Oxidization – Anti-oxidants prevent sludge, varnish & thickening.



See the Toro equipment operator's guide for your equipment's specific maintenance interval. Not Compatible with hydraulic systems using tractor Fluid.

Order Part Numbers: 133-8086 (5 gal. pail)

## Lubricants

	Descriptions	Part No.
Toro PX Extended Life Hydraulic Fluid	5 gallons	133-8086
	55 gallons	133-8087
Toro Premium All-Season Hydraulic Fluid	5 gallons	108-1178
	55 gallons	108-1177
Toro Premium Synthetic Biodegradable Hydraulic Fluid	5 gallons	119-2157
Toro Premium Transmission/Hydraulic Fluid	5 gallons	108-1184
	55 gallons	108-1183
Toro Premium ATF Automatic Transmission Fluid	55 gallons	108-1185
Toro All-Purpose Grease	14 oz.	108-1190
Toro Synthetic Grease ISO 220	3 oz.	125-3511
Toro Fuel Treatment	12 oz.	131-6572
Toro Premium Engine Oil SAE 30	5 gallons	108-1197
	55 gallons	108-1196
Toro Premium Engine Oil 10W-30	5 gallons	121-6393
	55 gallons	121-6392
Toro Premium Engine Oil 15W-40	5 gallons	121-6395
	55 gallons	121-6394
Toro Premium All-Season Gear Lube 80W-90	1 qt.	108-1590
	5 gallons	108-1187
Toro Premium All-Season Gear Lube 85W-140	1 qt.	108-1591
Toro Premium Full Synthetic Gear & Bearing Oil	1 qt.	104-8772
Toro Hydraulic Oil Dye	20 ml	44-2500
Toro Aerosol TeRMinal Protection		107-0392
Toro Dry Lube Graphite		120-4817
Toro Dry Lube Graphite		120-4818



# MVP KITS



**QUICK REFERENCE GUIDE**  
MVP KITS

Part Number	Description	Quantity
<b>Cutting Unit Overhaul Kits</b>		
<b>130-0105</b>	<b>GR Flex 18/21 (2004–2011) Reel Overhaul Kit</b>	
20-9500	Washer	1
107-3233	Seal - Oil	4
108-3162	Spacer	1
107-3238	V-Ring	2
<b>13-3659</b>	<b>GR 300/3000 Style (1985–2001) Cutting Unit Overhaul Kit</b>	
237-77	O-Ring	2
253-61	Seal-Oil	1
253-96	Seal-Oil	2
254-72	Bearing-Cup	2
254-94	Bearing-Cone	2
52-2890	Bushing-Nylon	4
52-2900	Washer-Plastic	2
119-4151	Screw-Special	13
57-5280	Bearing - Cup & Cone	2
62-5510	Bushing-Rubber	2
63-9510	Bushing	2
<b>107-1590</b>	<b>GR 300/3000 Style (1985-2001) Reel Overhaul Kit</b>	
253-61	Seal-Oil	1
253-96	Seal-Oil	2
254-72	Bearing-Cup	2
254-94	Bearing-Cone	2
3296-60	Nut-Lock	1
<b>107-1590</b>	<b>GR 300/3000 Style (1985-2001) Reel Overhaul Kit</b>	
253-61	Seal-Oil	1
253-96	Seal-Oil	2
254-72	Bearing-Cup	2
254-94	Bearing-Cone	2
3296-60	Nut-Lock	1
<b>107-1598</b>	<b>GR 300/3000 Style (2002 &amp; on) Reel Overhaul Kit</b>	
104-3388	Seal-Grease	2
253-61	Seal-Oil	1
254-72	Bearing-Cup	2
254-94	Bearing-Cone	2
3296-60	Nut-Lock	1
<b>121-2637</b>	<b>DPA Adjusters MVP Kit GR Flex/eFlex 1800 &amp; 2100/3000/3300/3400</b>	
106-5363	Shaft-Adjuster	2
106-5344	Bushing-Flanged, Keyed	4
119-4164	Washer-Wave	2
32120-93	Ring-Retaining	2
137-6130	Screw-Adjuster, Bedbar	2
119-4155	Washer-Hardened	2
119-4156	Spring-Compression	2
119-4039	Nut-Hex, NI	2
99-2097	Detent	2
119-4067	Screw-HH	2

Part Number	Description	Quantity
<b>106-6392</b>	<b>Greensmaster Dethatching Reel Blade Pack</b>	
106-6355	Blade-11 Tooth (Carbide)	108
<b>13-3649</b>	<b>RM 216 &amp; Grounds Pro 2000 Cutting Unit Overhaul Kit</b>	
253-84	Seal-Oil	1
257-6	Bearing-Thrust	2
52-2890	Bushing-Nylon	2
56-9510	Bushing ASM	2
56-9520	Bushing-Flanged	2
119-4151	Screw-Special	10
62-5510	Bushing-Rubber	2
94-3405	Bearing-Ball	2
<b>107-1590</b>	<b>RM 5100D/5200D/5300D/5400D (1990-2001) Reel Overhaul Kit</b>	
253-61	Seal-Oil	1
253-96	Seal-Oil	2
254-72	Bearing-Cup	2
254-94	Bearing-Cone	2
3296-60	Nut-Lock	1
<b>106-9605</b>	<b>RM 5500D/6500D/6700D SPA Bedbar Overhaul Kit</b>	
106-7536	Bedbar Adjuster Assembly	1
107-7409	Pin-Pivot, Bedbar	1
29-8910	Washer	2
302-18	Fitting-Grease	1
3230-2	Bolt-Carriage	4
3256-74	Washer-Flat	4
3296-29	Nut-Lock	4
3296-62	Nut-Lock	1
52-2890	Bushing-Nyliner	2
62-5510	Bushing-Rubber	2
93-2959	Spacer-Adjuster	1
93-7501	Bushing Assembly	2
93-7502	Bushing-Flanged	2
95-0772	Spring-Compression	1
95-8752	Arm-Spring	1
<b>13-3679</b>	<b>RM335D/450D Cutting Unit Overhaul Kit</b>	
256-113	Bushing-Flange	2
256-252	Bearing-Flange	2
256-292	Bushing-Nyliner	4
32151-71	Ring-Retaining	1
3257-3	Key-Woodruff	1
48-8880	Pin-Dowel	2
119-4151	Screw-Special	10
59-6140	Bearing	2
62-6110	Bushing ASM	4
76-3580	Spacer-Bedbar	2
93-1414	Seal-Grease	3

Part Number	Description	Quantity
<b>95-4389</b>	<b>RM 4000D Cutting Unit Overhaul Kit</b>	
256-252	Bearing-flange	2
256-292	Bushing-nyliner	4
32151-71	Ring-retaining	1
48-8880	Pin-dowel	2
119-4151	Screw-special	10
59-6140	Bearing	2
62-6110	Bushing ASM	4
75-7570	Key	1
76-3580	Spacer-bedbar	2
92-9250	Seal-grease	1
92-9251	Sleeve-wear	1
92-9252	Bushing-flange	2
93-1414	Seal-grease	2
<b>13-3629</b>	<b>RM Gangmower Cutting Unit Overhaul Kit</b>	
105-0150	Seal-Grease	2
106-5408	Gasket-Cover	2
106-5409	Gasket-Gear Case	2
237-21	O-Ring	2
237-38	O-Ring	2
253-117	Seal-Oil	2
253-122	Seal-Oil	2
253-84	Seal-Oil	2
254-72	Bearing-Cup	2
254-78	Bearing-Cone	4
254-79	Bearing-Cup	4
254-94	Bearing-Cone	2
257-5	Washer-Thrust	4
257-6	Bearing-Thrust	2
47-5640	Spacer-Rubber	2
119-4151	Screw-Special	11
68-7530	Bushing	2
68-9970	Guard-Seal	2
84-8200	Seal-Oil	2
<b>120-7230</b>	<b>HD DPA MVP Kit RM3100D/3550/3555/5010-H/5210/5410/5510/5610/6000D7000D</b>	
120-5118	Bearing-Flange	2
120-5116	Bushing-Nyliner	2
106-5344	Ring-Retaining	4
108-0015	Pin-Dowel	2
3296-33	Screw-Special	2
137-6130	Screw-Adjuster, Bedbar	2
119-4155	Bushing ASM	2
120-5120	Key	2
119-4039	Spacer-Bedbar	2

Part Number	Description	Quantity
<b>Seal Kits</b>		
<b>117-2727</b>	<b>Hydraulic Connector O-Rings Seal Kit</b>	
237-21	9/16" ORFS	10
237-22	11/16" ORFS	10
237-30	13/16" ORFS	10
237-65	1" ORFS	10
237-58	1-3/16" ORFS	10
340-65	1-7/16" ORFS	10
237-156	5/16" SAE	10
237-78	7/16" SAE	10
237-42	9/16" SAE	10
237-79	3/4" SAE	10
237-80	7/8" SAE	10
237-81	1-1/16" SAE	10
237-146	1-5/16" SAE	10
93-4132	1/2" (HYD Trans End Cap)	10
237-54	3/4" (HYD Relief Cartridge)	10
237-38	1-3/4" (GR 500 Clutch & RM Gangmower Gear Case)	10
93-9783	2-7/8" (HYD Motor Mounting)	10
237-161	3-1/4" (Transmission Mounting)	10
353-949	3-1/4" (HYD Motor Mounting)	10
237-95	3-3/4" (HYD Trans Charge Pump)	10
237-158	4" (HYD Motor Mounting)	10
<b>108-3263</b>	<b>Multi Pro Open Boom Sprayer Seal Kit</b>	
108-3266	Seal Kit	1
108-3267	Seal Kit	1
108-3268	Seal Kit	1
<b>106-6937</b>	<b>DPA Reel Seal Kit</b>	
106-6927	Sleeve	2
106-6926	Seal	2
253-134	Seal	2
106-6929	V-Ring	2
104-0532	Washer-Pulley	1
<b>136-1010</b>	<b>GM 3280 Seal Overhaul Rebuilt Kit</b>	
136-1021	Lip Seal - Shaft	1
136-1023	Gasket - End Cap	1
136-1031	O-Ring	1
136-1032	O-Ring	1
Not serviced separately	Lip Seal, Journal Bearing	1
Not serviced separately	O-Ring, Journal Bearing	2
Not serviced separately	O-Ring, Bypass Valve	1
Not serviced separately	Back Up Ring	1
Not serviced separately	O-Ring, Bypass Valve	1
Not serviced separately	O-Ring, Plug	2
Not serviced separately	O-Ring, Plug	1

**QUICK REFERENCE GUIDE**  
MVP KITS

Part Number	Description	Quantity
<b>Bearing Kits</b>		
<b>121-9517</b>	<b>GR Flex 18/21 (2012 &amp; on) GR 3300/3400 (2011 &amp; on) Groomer Rebuild Kit</b>	
107-8105	Bearing-Ball, Extended Race	3
106-8530	Seal-Grease	3
120-3237	O-Ring	1
360-0398	O-Ring	1
251-259	Bearing-Ball	2
104-4727	Ring-Retaining	1
104-4705	Belt-Groomer	1
<b>110-4086</b>	<b>RM5210/5410/5510/5610 RM6500D/6700D DPA Groomer &amp; Rear Roller Brush Bearing Kit</b>	
95-0707	Bearing-Self Aligning	1
106-8530	Seal-Grease	3
108-4172	Seal-Excluder	1
<b>108-2132</b>	<b>ProCore 648 Coring Head Bearing Kit (2004-2007)</b>	
106-8871	Bearing-Ball	6
105-0965	Bearing-Ball	6
251-311	Bearing-Ball	24
106-8872	Ring-Retaining	6
<b>131-4876</b>	<b>ProCore 648 Coring Head Bearing Kit (2008 &amp; on)</b>	
110-4556	Bearing-Ball	12
105-0965	Bearing-Ball	6
231-311	Bearing-Ball	24
32151-76	Ring-Retaining	6
110-4557	Spacer - Bearing	6
<b>Cutting Unit Hydraulic Hose Kits</b>		
<b>117-0289</b>	<b>GM 4300-D Hydraulic Hose Kit</b>	
117-0213	Hydraulic Hose Assembly	1
117-0211	Hydraulic Hose Assembly	1
117-0212	Hydraulic Hose Assembly	1
117-0299	Hydraulic Hose Assembly	4
104-9323	Hose - Hyd	1
92-7638	Hose Assembly	1
105-1215	Hose - Hyd	4
108-6507	Hose - Hyd	2
3334-945	Tie - Cable	15
237-21	O-Ring	10
237-65	O-Ring	28
106-3662	Hose - Hyd	4

Part Number	Description	Quantity
<b>98-0642</b>	<b>GR 3000/3050/3100 Cutting Unit Hydraulic Hose Kit</b>	
95-5984	Hydraulic Hose Assembly	1
95-5985	Hydraulic Hose Assembly	1
95-5986	Hydraulic Hose Assembly	1
95-5987	Hydraulic Hose Assembly	1
95-5988	Hydraulic Hose Assembly	1
95-5989	Hydraulic Hose Assembly	1
<b>140-5236</b>	<b>MVP Kit - GR3150 Hydraulic Hose Kit</b>	
139-6533	Hose Assembly	1
139-6531	Hose Assembly	1
105-5402	Hydraulic Hose Assembly	1
139-6529	Hose Assembly	2
139-6532	Hose Assembly	1
106-9674	Hydraulic Hose Assembly	1
105-5405	Hydraulic Hose Assembly	1
139-6530	Hose Assembly	1
237-30	O-Ring	6
237-65	O-Ring	6
237-21	O-Ring	4
237-22	O-Ring	2
<b>140-5235</b>	<b>MVP Kit - GR3250-5 Hydraulic Hose Kit</b>	
106-9674	Hydraulic Hose Assembly	2
139-6529	Hose Assembly	2
139-6530	Hose Assembly	2
139-6528	Hose Assembly	2
105-5405	Hydraulic Hose Assembly	1
237-30	O-Ring	12
237-21	O-Ring	6
139-6529	Hose - Hyd (ASM)	2
139-6530	Hose - Hyd (ASM)	2
139-6528	Hose ASM	2
<b>140-5235</b>	<b>MVP Kit - GR3250-5 Hydraulic Hose Kit</b>	
106-9674	Hydraulic Hose Assembly	2
139-6529	Hose Assembly	2
139-6530	Hose Assembly	2
139-6528	Hose Assembly	2
105-5405	Hydraulic Hose Assembly	1
237-30	O-Ring	12
237-21	O-Ring	6
139-6529	Hose - Hyd (ASM)	2
139-6530	Hose - Hyd (ASM)	2
139-6528	Hose ASM	2

Part Number	Description	Quantity
<b>140-5233</b>	<b>MVP Kit - GR Triflex Hydraulic Hose Rebuild</b>	
139-6494	Hydraulic Hose Assembly	1
139-6495	Hydraulic Hose Assembly	1
139-6536	Hose Assembly	1
139-6496	Hydraulic Hose Assembly	1
139-6497	Hydraulic Hose Assembly	1
139-6535	Hose Assembly	1
139-6498	Hydraulic Hose Assembly	1
139-6499	Hydraulic Hose Assembly	1
139-6534	Hose Assembly	1
237-30	O-Ring	12
237-21	O-Ring	3
237-22	O-Ring	3
<b>117-2724</b>	<b>RM 3100D SPA Cutting Unit 1999-2009 Hydraulic Hose Kit</b>	
95-8836	Hydraulic Hose Assembly	2
95-8835	Hydraulic Hose Assembly	2
95-8837	Hydraulic Hose Assembly	2
95-8826	Hydraulic Hose Assembly	1
95-8827	Hydraulic Hose Assembly	1
95-8828	Hydraulic Hose Assembly	1
237-30	O-Ring	8
237-65	O-Ring	4
237-42	O-Ring	2
237-21	O-Ring	2
237-22	O-Ring	2
<b>117-2723</b>	<b>RM 4000D Cutting Unit Hydraulic Hose Kit</b>	
98-7401	Hydraulic Hose Assembly	1
60-3340	Hydraulic Hose Assembly	1
98-7400	Hydraulic Hose Assembly	1
98-7403	Hydraulic Hose Assembly	4
58-5730	Hydraulic Hose Assembly	1
98-7404	Hydraulic Hose Assembly	2
237-22	O-Ring	10
237-65	O-Ring	18
<b>104-9317</b>	<b>RM5200D/5400D Cutting Unit Hydraulic Hose Kit</b>	
100-3876	Hydraulic Hose Assembly	1
100-3877	Hydraulic Hose Assembly	1
100-3878	Hydraulic Hose Assembly	1
100-3879	Hydraulic Hose Assembly	1
104-0057	Hydraulic Hose Assembly	1
104-0069	Hydraulic Hose Assembly	1
104-9321	Hydraulic Hose Assembly	1
104-9322	Hydraulic Hose Assembly	1
104-9323	Hydraulic Hose Assembly	1
98-4583	Hydraulic Hose Assembly	2

Part Number	Description	Quantity
98-4584	Hydraulic Hose Assembly	1
98-4587	Hydraulic Hose Assembly	1
3290-379	Tie-Cable	10
99-5617	Sleeve-Protective	1
99-5648	Sleeve-Protective	4
237-30	Seal - O-Ring	20
237-21	Seal - O-Ring	10
<b>117-2720</b>	<b>RM 5210/5410/5510/5610 Cutting Unit Hydraulic Hose Kit (2008-2009)</b>	
106-3672	Hydraulic Hose Assembly	4
98-4590	Hydraulic Hose Assembly	2
114-8868	Hydraulic Hose Assembly	4
106-3680	Hydraulic Hose Assembly	2
104-3669	Hydraulic Hose Assembly	1
106-3670	Hydraulic Hose Assembly	1
106-3671	Hydraulic Hose Assembly	1
3334-945	Tie-Cable	15
237-30	O-Ring (ORFS - 8)	20
237-21	O-Ring (ORFS - 4)	10
<b>119-6955</b>	<b>RM 5210/5410/5510/5610 (2010+) Cutting Unit Hydraulic Hose Kit</b>	
114-0633	Hydraulic Hose Assembly	5
98-4590	Hydraulic Hose Assembly	2
117-5188	Hydraulic Hose Assembly	4
106-3680	Hydraulic Hose Assembly	2
117-5190	Hydraulic Hose Assembly	1
106-3670	Hydraulic Hose Assembly	1
3334-945	Tie-Cable	15
237-30	O-Ring (ORFS - 8)	10
237-21	O-Ring (ORFS - 4)	10
237-65	O-Ring (ORFS -10)	10
<b>104-9314</b>	<b>RM 5500D Reel Drive Hose Kit</b>	
104-0069	Hydraulic Hose Assembly	4
104-0057	Hydraulic Hose Assembly	4
104-0068	Hydraulic Hose Assembly	1
104-0067	Hydraulic Hose Assembly	1
104-0064	Hydraulic Hose Assembly	1
104-0058	Hydraulic Hose Assembly	2
104-0063	Hydraulic Hose Assembly	2
3290-379	Tie-Cable	10
237-30	O-Ring (ORFS - 8)	20
237-21	O-Ring (ORFS - 4)	5
237-22	O-Ring (ORFS - 6)	2

**QUICK REFERENCE GUIDE**  
**MVP KITS**

Part Number	Description	Quantity
<b>Cutting Unit Hydraulic Hose Kits continued</b>		
<b>105-0139</b>	<b>RM 6500D/6700D (5 Units) Cutting Unit Hydraulic Hose Kit</b>	
105-7901	Hydraulic Hose Assembly	4
105-7902	Hydraulic Hose Assembly	2
105-7903	Hydraulic Hose Assembly	4
92-7559	Hydraulic Hose Assembly	2
92-7560	Hydraulic Hose Assembly	1
99-5614	Hydraulic Hose Assembly	2
237-21	O-Ring	10
237-30	O-Ring	20
3253-4	Washer-Lock	6
3290-379	Tie-Cable	10
33114-020	Screw-HH	6
99-5617	Sleeve-Protective	5
99-5621	Guide-Hose	3
<b>105-0140</b>	<b>RM 6700D (2 Wing Units) Cutting Unit Hydraulic Hose Kit</b>	
105-7900	Hydraulic Hose Assembly	4
94-1433	Hydraulic Hose Assembly	2
237-21	O-Ring	4
237-30	O-Ring	8
3253-4	Washer-Lock	4
3290-378	Tie-Cable	4
33114-020	Screw-HH	4
3334-945	Tie-Cable	2
100-3814	Sleeve-Protective	2
99-5621	Guide-Hose	2
<b>Roller Rebuild Kits</b>		
<b>107-1588</b>	<b>GR 800/1000/1600 Roller Rebuild Kit</b>	
302-5	Fitting-Grease	2
52-3180	Bearing-Roller	2
<b>107-1589</b>	<b>GR 3/300/ Style Wiehle Roller Rebuild Kit</b>	
302-57	Fitting-Grease	2
52-3180	Bearing-Roller	2
<b>107-1588</b>	<b>GR 3/300/3000 Style Roller Rebuild Kit</b>	
302-5	Fitting-Grease	2
52-3180	Bearing-Roller	2
<b>107-1591</b>	<b>GR 3200 Style (1995-1998) Roller Rebuild Kit</b>	
93-2525	Ring-Retaining	2
93-2559	Bearing-Ball	2
302-5	Fitting-Grease	2
<b>107-1593</b>	<b>GR 3200 Style (1999-2000) Roller Rebuild Kit</b>	
302-5	Fitting-Grease	2
32151-12	Ring-Retaining	2
85-7190	Washer-Shield	2
85-9970	Bearing-Ball	2

Part Number	Description	Quantity
<b>140-5552</b>	<b>GR DPA (2004 &amp; on) Roller Rebuild Kit</b>	
106-6941	Seal	2
106-6942	V-Ring	2
251-347	Bearing-Ball	2
107-8133	Washer-Flat	2
107-3505	Spacer-Tool, Roller	2
104-6126	Washer-Flat	2
<b>106-9627</b>	<b>GR DPA Rear Roller Brush Rebuild Kit</b>	
106-9626**	Shaft	1
105-6792	Brush-Roller	1
104-1830	Bolt-J	2
3296-2	Nut-Lock	2
<b>106-9607</b>	<b>Grounds Pro 2000 RM216/2000/2300/2600/3100 Roller Rebuild Kit</b>	
105-0150	Seal-Grease	2
253-152	Seal-Oil	2
254-78	Bearing-Cone	2
254-79	Bearing-Cup	2
<b>107-1592</b>	<b>RM 223D/5100D/5200D/5300D/ 5400D (1990-2000) Front Roller Rebuild Kit</b>	
302-57	Fitting-Grease	2
75-1290	Bearing-Roller	2
<b>107-1593</b>	<b>RM 5100D/5200D/5300D/5400D (1993-2000) Rear Roller Rebuild Kit</b>	
302-5	Fitting-Grease	2
32151-12	Ring-Retaining	2
85-7190	Washer-Shield	2
85-9970	Bearing-Ball	2
<b>107-1592</b>	<b>RM 223D/5100D/5200D/5300D/ 5400D Dethatching Reel Roller Rebuild Kit</b>	
302-57	Fitting-Grease	2
75-1290	Bearing-Roller	2
<b>106-9606</b>	<b>RM 5200D/5400D (2001 &amp; on) RM 5210/5410/5510/5610 (2006-2007) Roller Rebuild Kit</b>	
109966	Bearing-Ball	2
253-70	Seal-Oil	2
32120-62	Ring-Retaining	2
93-1251	Seal-Inner	2
93-1252	Seal-Outer	2
93-2931	Washer-Roller	2
93-3007	Seal-Oil	2
<b>114-5430</b>	<b>RM 5010-H/5210/5410/5510/5610/6500D/6700D (2008 &amp; on) Roller Rebuild Kit</b>	
114-3717	Seal-Inner	2
112-5290	Bearing-Ball	2
112-7494	Seal-Outer	4
114-5411	Nut-Bearing Lock	2

Part Number	Description	Quantity
<b>106-9606</b>	<b>RM5500D/6500D/6700D SPA RM6500D/6700D DPA (2007) Roller Rebuild Kit</b>	
109966	Bearing-Ball	2
253-70	Seal-Oil	2
32120-62	Ring-Retaining	2
93-1251	Seal-Inner	2
93-1252	Seal-Outer	2
93-2931	Washer-Roller	2
93-3007	Seal-Oil	2
<b>106-9627</b>	<b>RM5200D/5400D RM5500D/6500D/6700D SPA Rear Roller Brush Rebuild Kit</b>	
106-9626**	Shaft	1
105-6792	Brush-Roller	1
104-1830	Bolt-J	2
3296-2	Nut-Lock	2
<b>107-1595</b>	<b>GM 3500D/4500D/4700D (2000-03) Roller Rebuild Kit</b>	
251-347	Bearing-Ball	2
32120-15	Ring-Snap	2
99-3842	Seal-Oil	2
<b>106-9606</b>	<b>GM 3500D/3505D/4500D/4700D (2003-2007) Roller Rebuild Kit</b>	
109966	Bearing-Ball	2
253-70	Seal-Oil	2
32120-62	Ring-Retaining	2
93-1251	Seal-Inner	2
93-1252	Seal-Outer	2
93-2931	Washer-Roller	2
93-3007	Seal-Oil	2
<b>114-5430</b>	<b>GM 3500D/3505D/4500D/4700D (2007 &amp; on) Roller Rebuild Kit</b>	
114-3717	Seal-Inner	2
112-5290	Bearing-Ball	2
112-7494	Seal-Outer	4
112-5411	Nut-Bearing Lock	2
<b>Groundsmaster® Deck Kits</b>		
<b>95-3078</b>	<b>GM 200 Series 52"/132 cm RD/SD Spindle Kit</b>	
27-0870	Spindle Assembly	1
32128-21	Nut-Hex Flange	6
3231-22	Screw-Carriage	6
3256-24	Washer-Flat	6
72-9361	Cup-Anti Scalp	1
92-5816	Bolt-Blade	1

Part Number	Description	Quantity
<b>95-3079</b>	<b>GM 200 Series 62"/158 cm SD Spindle Kit</b>	
44-6370	Spindle Assembly	1
32128-21	Nut-Hex Flange	6
3231-22	Screw-Carriage	6
3256-24	Washer-Flat	6
72-9361	Cup-Anti Scalp	1
92-5816	Bolt-Blade	1
<b>95-3081</b>	<b>GM 200 Series 62"/158 cm Guardian Spindle Kit</b>	
253-139	Seal-Oil	2
27-0960	Bearing Set	1
302-2	Fitting-Grease	1
32128-21	Nut-Hex Flange	6
3231-27	Screw-Carriage	6
3256-24	Washer-Flat	6
32146-20	Nut-Lock	1
61-4160	Housing-Spindle	1
27-5970	Spacer-Spindle Shaft	1
72-9361	Cup-Anti Scalp	1
92-5604	Shaft-Spindle	1
92-5606	Spacer-Spindle Shaft	1
92-5607	Pulley & Hub Assembly	1
92-5816	Bolt-Blade	1
<b>95-3089</b>	<b>GM 300 Series 72"/183 cm RD/SD Left Spindle Kit</b>	
84-2030	Spindle Assembly	1
32128-21	Nut-Hex Flange	8
3234-1	Screw-Hex Flange	6
3234-11	Screw-Hex Flange	2
3256-24	Washer-Flat	8
<b>95-3090</b>	<b>GM 300 Series 72"/183 cm RD/SD Center Spindle Kit</b>	
84-2040	Spindle Assembly	1
32128-21	Nut-Hex Flange	8
3234-1	Screw-Hex Flange	8
3256-24	Washer-Flat	8
<b>138-6408</b>	<b>GM 300 Series 72"/183 cm RD/SD Center Spindle Kit</b>	
84-2050	Spindle Assembly	1
32128-21	Nut-Hex Flange	8
3234-1	Screw-Hex Flange	6
3234-11	Screw-Hex Flange	2
3256-24	Washer-Flat	8
<b>95-3091</b>	<b>GM 300 Series 72"/183 cm Guardian Spindle Kit</b>	
17-5979**	Spindle Assembly	1
32128-21	Nut-Hex Flange	6
3231-27	Screw-Carriage	6
3256-24	Washer-Flat	6
72-9361	Cup-Anti Scalp	1

**QUICK REFERENCE GUIDE**  
MVP KITS

Part Number	Description	Quantity
<b>Groundsmaster® Deck Kits continued</b>		
<b>138-1930</b>	<b>GM 3280D/3320 Side Discharge Spindle Kit</b>	
104-3546	Pulley-Driven	1
108-1991	Spindle Housing Assembly	1
108-1956	Spindle Shaft Assembly	1
104-3564	Seal-V-Ring	1
104-8322	Washer-Hardened	1
106-7159	O-Ring	1
3296-60	Nut-Lock	1
69-6950	Spacer-Spindle Shaft	1
<b>139-1039</b>	<b>GM 3280D/3320/4000D/4100D RD/Guardian Spindle Kit</b>	
104-3546	Pulley-Driven	1
119-4546	Spindle Housing Assembly	1
104-3554	Spindle Shaft Assembly	1
104-3564	Seal - V-Ring	1
104-8322	Washer-Hardened	1
106-7159	O-Ring	1
3296-60	Nut-Lock	1
69-6950	Spacer-Spindle Shaft	1
<b>121-3666</b>	<b>GM 3500D/3500G/3505D/4500D/4700D Spindle Kit</b>	
100-5703	Spacer & Bearing Assembly	1
136-3339	Spindle Shaft Assembly	1
253-154	Seal-Oil	2
69-6950	Spacer-Spindle Shaft	1
100-5709	Nut-Spindle, Special	1
302-62	Fitting-Grease	2
94-2703	Plug	1
505-7	Grease	2 oz
<b>69-8400</b>	<b>GM 580D All Decks (1989-2001), Wing Deck (2002 &amp; on) Spindle Kit</b>	
69-8390-03	Pulley Assembly	1
138-6388	Spindle Shaft Assembly	1
253-154	Seal-Oil	2
3296-49	Nut-Lock	1
108-1483	Washer-Thrust	1
6590003	O-Ring	1
69-1530	Housing-Spindle	1
69-6950	Spacer-Spindle Shaft	1
71-2530	Bearing & Spacer Set	1
302-2	Fitting-Grease	1

Part Number	Description	Quantity
<b>138-6465</b>	<b>GM 580D Center Deck (02 &amp; on) Center Spindle Kit</b>	
106-0023	Pulley-Center	1
138-6388	Spindle Shaft Assembly	1
253-154	Seal-Oil	2
3296-49	Nut-Lock	1
108-1483	Washer-Thrust	1
6590003	O-Ring	1
69-1530	Housing-Spindle	1
69-6950	Spacer-Spindle Shaft	1
71-2530	Bearing & Spacer Set	1
302-2	Fitting-Grease	1
<b>106-0006</b>	<b>GM 580D Center Deck (02 &amp; on) Outer Spindle Kit</b>	
106-0022	Pulley-Outboard	1
138-6388	Spindle Shaft Assembly	1
253-154	Seal-Oil	2
3296-49	Nut-Lock	1
108-1483	Washer-Thrust	1
6590003	O-Ring	1
69-1530	Housing-Spindle	1
69-6950	Spacer-Spindle Shaft	1
71-2530	Bearing & Spacer Set	1
302-2	Fitting-Grease	1
<b>105-7269</b>	<b>GM 7200/7210 62"/158 cm Guardian 72"/183 cm Guardian Tall Grass Kit</b>	
112-1480-01	Plate - Right	1
112-1482-01	Plate - Left	1
104-8300	Nut-Flange	4
3230-2	Bolt-Carriage	4
<b>Groundsmaster® Blade &amp; Belt Kits</b>		
<b>95-3070</b>	<b>GM 200 Series 52"/132 cm RD/SD Deck Blade &amp; Belt Kit</b>	
27-0990-03	Blade - Standard 18"	3
27-1160	V-Belt	1
<b>95-3071</b>	<b>GM 200 Series 62"/158 cm SD Deck Blade &amp; Belt Kit</b>	
44-6250-03	Blade - Standard 21.75"	3
44-6260	V-Belt	1
<b>95-3072</b>	<b>GM 200 Series 72"/183 cm SD Deck Blade &amp; Belt Kit</b>	
94-1861-03	Blade - Standard 24.75"	3
57-0240	V-Belt	1
<b>95-3087</b>	<b>GM 300 Series 72"/183 cm RD/SD Deck Blade &amp; Belt Kit</b>	
29-5530-03	Blade - Standard 25"	3
21-0890	V-Belt	3
<b>95-3094</b>	<b>GM 300 Series 72"/183 cm RD/SD Deck Blade &amp; Belt Kit</b>	
23-2410-03	Blade - High Sail 25"	3
21-0890	V-Belt	3

Part Number	Description	Quantity
<b>95-3088</b>	<b>GM 300 Series 72"/183 cm Guardian Blade &amp; Belt Kit</b>	
85-6040-03	Blade - Standard 25"	3
93-8457	V Belt-Hex	1
<b>110-4770</b>	<b>GM 3280D/3320 60"/152 cm SD Blade &amp; Belt Kit</b>	
110-4701	Blade - Medium Sail 20.5"	3
108-4391	Belt - Hex	1
<b>110-4768</b>	<b>GM 3280D/3320 62"/158 cm RD/Guardian Blade &amp; Belt Kit</b>	
92-5608-03	Blade - Standard 21.75"	3
107-4788	Belt-Hex	1
<b>110-4771</b>	<b>GM 3280D/3320 72"/18 cm SD Blade &amp; Belt Kit</b>	
110-0621	Blade - Medium Sail 24.5"	3
108-4393	Belt - Hex	1
<b>110-4769</b>	<b>GM 3280D/3320 72"/18 cm RD/Guardian Blade &amp; Belt Kit</b>	
108-1958-03	Blade - Standard 25"	3
107-4738	Belt-Hex	1
<b>132-1440</b>	<b>GM 5900/5910 Blade &amp; Belt Kit</b>	
112-7376	Belt-V	1
112-7377	Belt-V	6
130-9151-03	Blade - 20"	11
<b>115-8898</b>	<b>GM 5900/5910 Center &amp; Wing Decks Blade &amp; Belt Kit</b>	
110-5946-03	Blade - Standard 20"	11
112-7376	Belt-V	1
112-7377	Belt-V	6
<b>105-7270</b>	<b>GM 7200/7210 62"/157.5 cm Guardian Blade &amp; Belt Kit</b>	
92-5608-03	Blade - Standard 21.75"	3
110-9594	Belt-V	1
110-9595	Belt-V	1
<b>105-7271</b>	<b>GM 7200/7210 72"/182.9 cm Guardian Blade &amp; Belt Kit</b>	
108-1958-03	Blade - Standard 25"	3
110-9592	Belt - V	1
110-9593	Belt - V	1
<b>105-7272</b>	<b>GM 7200/7210 72"/182.9 cm SD Deck Blade &amp; Belt Kit</b>	
110-0621-03	Blade - Medium Sail 24.5"	3
110-9590	Belt-V	1
110-9591	Belt-V	1

**QUICK REFERENCE GUIDE**  
MVP KITS

Part Number	Description	Quantity
<b>Groundsmaster® Caster Wheel Kits</b>		
<b>95-3077</b>	<b>GM 200 Series 52"/132 cm RD/SD (1989 &amp; on) 62"/158 cm SD (1989-98) 72"/183 cm SD (1989-1997) Caster Wheel Kit</b>	
68-8970	Tire & Bearing Assembly	2
68-8980	Spanner-Tire	2
32153-5	Nut-Lock	2
325-19	Screw-HH	2
3256-6	Washer-Flat	4
<b>68-8970</b>	<b>GM 200 Series 52"/132 cm RD/SD (1989 &amp; Up) 62"/158 cm SD (1989-1998) 72"/183 cm SD (1989-1997) Caster Wheel</b>	
68-9840	Wheel & Hub Assembly	1
62-5580	Bearing - Outside	2
62-5570	Bearing Roller Cage	1
302-40	Fitting - Grease	1
<b>95-3076</b>	<b>GM 200 Series 62"/158 cm Guardian Recycler Caster Wheel Kit</b>	
85-5760	8" Caster Wheel Assembly	4
62-4340	Spanner	4
32128-23	Nut-Hex Flange	4
325-22	Screw-HH	4
3256-6	Washer-Flat	8
<b>85-5760</b>	<b>GM 200 Series 62"/158 cm Guardian Recycler Caster Wheel</b>	
85-5760	Wheel & Hub Assembly	1
83-4740	Bearing Roller Cage	1
62-5580	Bearing - Outside	2
302-40	Fitting - Grease	1
<b>95-3086</b>	<b>GM 300 Series 72"/183 cm RD/SD (1988 &amp; on) Caster Wheel Kit</b>	
92-1655	Caster Wheel Assembly - Front	2
63-8400	Caster Wheel Assembly - Rear	2
62-4340	Spanner - Front	2
63-1770	Spanner - Rear	2
32128-23	Nut-Hex Flange	4
325-18	Screw-HH	2
325-22	Screw-HH	2
3256-6	Washer-Flat	8
<b>95-3082</b>	<b>GM 300 Series 72"/183 cm RD/SD (1983 &amp; on) Front Caster Wheel</b>	
92-1655	Wheel Assembly - Front	1
62-4340	Spanner - Front	1
32128-23	Nut-Hex Flange	1
325-22	Screw-HH	1
3256-6	Washer-Flat	2

**QUICK REFERENCE GUIDE**  
MVP KITS

Part Number	Description	Quantity
<b>95-3084</b>	<b>GM 300 Series 72"/183 cm RD/SD (1988 &amp; on) Rear Caster Wheel</b>	
63-8400	Caster Wheel Assembly - Rear	1
63-1770	Spanner - Rear	1
32128-23	Nut-Hex Flange	1
325-18	Screw-HH	1
3256-6	Washer-Flat	2
68-8980	Spanner-Tire	2
32153-5	Nut-Lock	2
325-19	Screw-HH	2
3256-6	Washer-Flat	2
<b>95-3085</b>	<b>GM 300 Series 72"/183 cm Guardian Recycler Caster Wheel Kit</b>	
92-1655	Caster Wheel Assembly - Front	2
85-5760	Caster Wheel Assembly - Rear	2
32128-23	Nut-Hex Flange	4
325-22	Screw-HH	4
3256-6	Washer-Flat	8
62-4340	Spanner	4
<b>95-3083</b>	<b>GM 300 Series 72"/183 cm Guardian Recycler Rear Caster Wheel</b>	
85-5760	Caster Wheel Assembly - Rear	1
62-4340	Spanner	1
32128-23	Nut-Hex Flange	1
325-22	Screw-HH	1
3256-6	Washer-Flat	2
<b>95-3077</b>	<b>GM 3280D/3320 52"/132 cm SD Caster Wheel Kit</b>	
68-8970	Tire & Bearing Assembly	2
68-8980	Spanner-Tire	2
32153-5	Nut-Lock	2
325-19	Screw-HH	2
3256-6	Washer-Flat	2
<b>68-8970</b>	<b>GM 3280D/3320 52"/132 cm SD Caster Wheel</b>	
68-8970	Tire & Bearing Assembly	1
<b>110-4767</b>	<b>GM 3280D/3320 60"/152 cm SD 62"/158 cm RD/Guardian 72"/183 cm RD/SD/Guardian Caster Wheel</b>	
93-9938	8" Wheel Assembly	1
327-24	Screw-HH	1
3296-53	Nut-Lock	1

Part Number	Description	Quantity
<b>Groundsmaster® Blade Packs</b>		
<b>108-1477</b>	<b>GM 200 Series GM 3280D/3320 52"/132 cm RD/SD Atomic Blade Pack</b>	
104-1301	Blade - Atomic 18"	6
<b>106-0631</b>	<b>GM 200 Series GM 3280D/3320 62"/158 cm RD/SD Atomic Blade Pack</b>	
104-1303	Blade - Atomic 21.75"	6
<b>108-1478</b>	<b>GM 200 Series 72"/183 cm RD/SD Atomic Blade Pack</b>	
104-1304	Blade - Atomic 24.75"	6
<b>108-1454</b>	<b>GM 300 Series GM 3280D/3320 72"/183 cm RD/SD Atomic Blade Pack</b>	
106-4353-03	Blade - Atomic 25"	6
<b>108-1452</b>	<b>GM 455D 126"/320 cm Quadfloat Atomic Blade Pack</b>	
107-0216-03	Blade - Atomic 19"	7
<b>108-1453</b>	<b>GM 580D Center &amp; Wing Decks Atomic Blade Pack</b>	
107-0217-03	Blade - Atomic 20"	11
<b>140-0028</b>	<b>GM 1200 Atomic Blade Pack</b>	
139-7799-03	Blade - Atomic 19"	9
<b>108-1462</b>	<b>GM 3500D/3505D 27"/69 cm RD Atomic Blade Pack</b>	
107-0235-03	Blade - Atomic 27"	6
<b>117-2722</b>	<b>GM 4000D 132"/335 cm RD Standard Blade Pack</b>	
92-5608-03	Blade - Standard 21.75"	7
<b>110-6130</b>	<b>GM 4000D 132"/335 cm RD Flat Sail Blade Pack</b>	
110-6115-03	Blade - Flat Sail 21.75"	7
<b>108-1450</b>	<b>GM 4000D 132"/335 cm RD Atomic Blade Pack</b>	
107-0214-03	Blade - Atomic 21.75"	7
<b>137-5500</b>	<b>GM 4000D 132"/335 cm Medium Sail Blade Pack</b>	
136-4370-03	Blade - Medium Sail 21.75"	7
<b>110-6140</b>	<b>GM 4100D 124"/315 cm RD Flat Sail Blade Pack</b>	
110-6116-03	Blade - Flat Sail 19"	7
<b>108-1451</b>	<b>GM 4100D 124"/315 cm RD Atomic Blade Pack</b>	
107-0215-03	Blade - Atomic 19"	7
<b>108-1463</b>	<b>GM 4500D 27"/69 cm RD Atomic Blade Pack</b>	
107-0235-03	Blade - Atomic 27"	5
<b>108-0800</b>	<b>GM 4500D 27"/69 cm</b>	
108-9026	Blade - Combination 27"	5
<b>108-0800</b>	<b>GM 3500D Combo Blade Pack</b>	
108-9026	Blade - Combination 27"	5
<b>108-1464</b>	<b>GM 4700D 27"/69 cm RD Atomic Blade Pack</b>	
107-0235-03	Blade - Atomic 27"	7
<b>115-8896</b>	<b>GM 5900/5910 (2008-2016) Center &amp; Wing Decks Standard Blade Pack</b>	
110-5946-03	Blade - Standard 20"	11
<b>114-0897</b>	<b>GM 5900/5910 (2008-2016) Center &amp; Wing Decks Atomic Blade Pack</b>	
110-5948-03	Blade - Atomic 20"	11

Part Number	Description	Quantity
<b>119-8020</b>	<b>GM 360 Atomic Blade Pack</b>	
110-0624-03	Blade-Atomic 24.5"	3
<b>119-8021</b>	<b>GM 360 High Flow Blade Pack</b>	
110-0622-03	Blade-Medium Flow 24.5"	3
<b>Filter Kits</b>		
<b>31196***</b>	<b>Outcross 9060 500 Hour Filter Kit</b>	
108-3814	Air Filter	1
125-2915	Fuel/Water Separator	1
125-7025	Engine Filter	2
125-8752	Oil Fuel Filter	1
121-8457	Filter-Air	1
<b>30065**</b>	<b>Greensmaster 500/800/1000/1600 &amp; Flex 18/21 (Up to 2011) Filter Kit</b>	
93-8636	Air Filter	1
93-8637	Air Filter	1
93-8584	Spark Plug	1
<b>30097**</b>	<b>Greensmaster 500/800/1000/1600 &amp; Flex 18/21 (2012 &amp; on) Filter Kit</b>	
121-0618	Element Set	1
121-0547	Spark Plug	1
<b>30064**</b>	<b>Greensmaster 3150 (up to 2011) 400 Hour Filter Kit</b>	
107-7817	Oil Filter	5
107-9531	Hydraulic Oil Filter	1
92-0527	Air Cleaner Cartridge	1
92-0530	Filter Element	1
<b>131-6262</b>	<b>Greensmaster 3120/3150D (2012 &amp; on) 800 Hour Filter Kit</b>	
107-7817	Oil Filter	9
92-0527	Air Cleaner Cartridge	8
107-9531	Hydraulic Oil Filter	2
94-2690	Fuel Filter	1
108-6945	Spark Plug	2
<b>131-8785</b>	<b>Greensmaster 3150 (2012 &amp; on) 800 Hour Standard Filter Kit</b>	
107-7817	Oil Filter	8
92-0527	Air Cleaner Cartridge	8
107-9531	Hydraulic Oil Filter	1
94-2690	Filter - Fuel	1
108-6945	Spark Plug	2
<b>44955**</b>	<b>Greensmaster 3120/3150 MVP 1,000 Hour Filter Kit (Units with PX Hydraulic Fluid) (2019 &amp; on)</b>	
92-0527	Cartridge Air Cleaner	10
107-7817	Engine Oil Filter	10
94-2690	Fuel Filter	2
108-6945	Spark Plug	2
107-9531	Hydraulic Filter	1
121-2583	Filter-Fuel, Inline	1

Part Number	Description	Quantity
<b>30018**</b>	<b>Greensmaster 3250D (2003-2006) 400 Hour Filter Kit</b>	
108-3842	Engine Oil Filter	5
107-9531	Hydraulic Oil Filter	1
108-3811	Air Filter	2
<b>30062**</b>	<b>Greensmaster 3250D (2007 - 2011) 400 Hour Filter Kit</b>	
108-3842	Engine Oil Filter	3
107-9531	Hydraulic Oil Filter	1
108-3811	Air Filter	2
112-9188	Filter Element	1
<b>30086**</b>	<b>Greensmaster 3250D (2012 &amp; on) 500 Hour Filter Kit</b>	
115-8189	Engine Oil Filter (Kubota D902)	4
107-9531	Hydraulic Oil Filter	1
108-3811	Air Filter	2
110-9049	Filter - Spin on	1
<b>44968**</b>	<b>Greensmaster 3250-D MVP 1,000 Hour Filter Kit (Units w/ PX Hydraulic Fluid) (2019 &amp; on)</b>	
115-8189	Engine Oil Filter	11
108-3811	Air Filter	5
110-9049	Fuel Filter - Spin on	2
107-9531	Oil Hydraulic Filter	1
<b>30042**</b>	<b>Greensmaster 3300/3320 400 Hour Filter Kit</b>	
108-5194	Hydraulic Oil Filter	1
107-7817	Engine Oil Filter	5
<b>44969**</b>	<b>Greensmaster 3300/3320 MVP 1,000 Hour Filter Kit (Units w/ PX Hydraulic Fluid) (2019 &amp; on)</b>	
92-0527	Cartridge Air Cleaner	10
107-7817	Engine Oil Filter	10
94-2690	Fuel Filter	2
108-6945	Spark Plug	2
108-5194	Filter Oil Hyd	1
<b>30043**</b>	<b>Greensmaster 3400/3420 400 Hour Filter Kit</b>	
108-3811	Air Filter	1
108-5194	Hydraulic Oil Filter	1
115-8189	Engine Oil Filter	3
<b>44970**</b>	<b>Greensmaster 3400/3420 Triflex MVP 1,000 Hour Filter Kit (Units w/ PX Hydraulic Fluid) (2019 &amp; on)</b>	
115-8189	Engine Oil Filter	11
108-3811	Air Filter	5
110-9049	Fuel Filter - Spin on	2
108-5194	Filter Oil Hyd	1
<b>44971**</b>	<b>Greensmaster 3360 E-Triflex MVP 400 Hour Filter Kit (2019 &amp; on)</b>	
119-5852	Oil Filter	4
120-7448	Air Filter	2

**QUICK REFERENCE GUIDE**  
MVP KITS

Part Number	Description	Quantity
<b>Filter Kits continued</b>		
<b>30016** Reelmaster 3100D (1999–2007) 400 Hour Filter Kit</b>		
108-3841	Engine Oil Filter	3
54-0110	Hydraulic Oil Filter	3
108-3811	Air Filter	2
98-9764	Fuel/Water Separator	1
108-3828	Fuel Filter - In-Line	1
<b>44963** Reelmaster 3100D (2008 &amp; on) 400 Hour Filter Kit</b>		
108-3841	Engine Oil Filter	3
54-0110	Hydraulic Oil Filter	2
108-3811	Air Filter	2
110-9049	Fuel/Water Separator	1
<b>30090** Reelmaster 3550D/3555D/3575D 400 Hour Filter Kit</b>		
108-3841	Engine Oil Filter	3
86-3010	Transmission Oil Filter	3
108-3811	Air Filter	2
110-9049	Filter-Spin on	1
110-9049	Fuel/Water Separator	1
<b>30012** Reelmaster 4000D (2002–2007) 400 Hour Filter Kit</b>		
104-5169	Engine Oil Filter	3
86-6110	Hydraulic Oil Filter	1
108-3828	Fuel Filter - In-Line	1
98-9764	Fuel/Water Separator	1
108-3812	Air Filter - Outer	1
108-3813	Air Filter - Inner	1
<b>30061** Reelmaster 4000D (2008 &amp; on) 400 Hour Filter Kit</b>		
104-5169	Engine Oil Filter	3
86-6110	Hydraulic Oil Filter	1
98-9764	Fuel/Water Separator	1
108-3812	Air Filter - Outer	1
108-3813	Air Filter - Inner	1
<b>30015** Reelmaster 5200D/5400D 400 Hour Filter Kit</b>		
108-3841	Engine Oil Filter	3
110-4146	Transmission Oil Filter	1
108-3828	Fuel Filter - In-Line	1
108-3810	Air Filter	1
98-9764	Fuel/Water Separator	1
<b>30039** Reelmaster 5210/5410/5510 (2006–2007) 400 Hour Filter Kit</b>		
108-3841	Engine Oil Filter	4
108-3828	Fuel Filter - In-Line	1
108-3810	Air Filter	1
98-9764	Fuel/Water Separator	1

Part Number	Description	Quantity
<b>30054** Reelmaster 5210/5410/5510 Pre Tier 4 (2008 &amp; on) 400 Hour Filter Kit</b>		
108-3841	Engine Oil Filter	3
108-3810	Air Filter	1
110-9049	Fuel/Water Separator	1
94-2621	Hydraulic Oil Filter	1
86-3010	Hydraulic Oil Filter	1
<b>30247** Reelmaster 5010-H 800 Hour Filter Kit</b>		
108-3841	Engine Oil Filter	6
110-9049	Fuel/Water Separator	2
86-3010	Hydraulic Oil Filter	1
108-3810	Air Filter	1
<b>44959** Reelmaster 5010-H (Non Tier 4) MVP 1,000 Filter Kit (Units with PX Hydraulic Fluid) (2019 &amp; on)</b>		
108-3810	Air Filter	2
108-3841	Engine Oil	7
94-2621	Element Filter	1
86-3010	Transmission Oil Filter	1
110-9049	Fuel Filter	2
<b>44966** Reelmaster 5010-H (Tier 4) MVP 1,000 Hour Filter Kit (Units with PX Hydraulic Fluid) (2019 &amp; on)</b>		
108-3841	Air Filter	7
110-9049	Fuel Filter Spin on	2
86-3010	Transmission Oil Filter	1
108-3810	Fuel Filter	2
<b>30091** Reelmaster 5410G/5510G 800 Hour MVP Filter Kit</b>		
108-3810	Air Filter	1
108-3841	Oil Filter	4
94-2621	Filter Element	1
86-3010	Transmission Oil Filter	1
<b>30093** Reelmaster 5410D/5510D Tier4 Final 800 Hour MVP Filter Kit</b>		
108-3810	Air Filter	1
125-7025	Oil Filter	3
94-2621	Filter Element	1
86-3010	Transmission Oil Filter	1
125-2915	Filter Spin on	2
125-8752	Fuel Filter	2
<b>44964** Reelmaster 5410/5510 Groundsmaster 4300 MVP 1,000 Hour Filter Kit (Tier 4) (Units with PX Hydraulic Fluid) (2019 &amp; on)</b>		
108-3810	Air Filter	2
125-7025	Engine Oil Filter	7
94-2621	Element Filter	1
86-3010	Transmission Oil Filter	1
125-2915	Fuel Filter Ws	2
125-8752	Filter Fuel / Oil	2

Part Number	Description	Quantity
<b>30038** Reelmaster 5500D 400 Hour Filter Kit</b>		
108-3841	Engine Oil Filter	5
110-4146	Transmission Oil Filter	1
94-2621	Hydraulic Oil Filter	1
108-3810	Air Filter	1
98-9764	Fuel/Water Separator	1
108-3828	Fuel Filter - In-Line	1
<b>30040** Reelmaster 5610 (2006–2007) 400 Hour Filter Kit</b>		
108-3841	Engine Oil Filter	4
108-3828	Fuel Filter - In-Line	1
108-3812	Air Filter	1
98-9764	Fuel/Water Separator	1
<b>30055**** "Reelmaster 5610 (2008–2012) 400 Hour Filter Kit</b>		
108-3841	Engine Oil Filter	3
108-3812	Air Filter	1
110-9049	Fuel/Water Separator	1
94-2621	Hydraulic Oil Filter	1
86-3010	Hydraulic Oil Filter	1
<b>44960** Reelmaster 5610 (Non-Tier 4) MVP 1,000 Hour Filter Kit (Units with PX Hydraulic Fluid) (2019 &amp; on)</b>		
108-3812	Air Filter	2
108-3841	Engine Oil Filter	7
94-2621	Element Filter	1
86-3010	Filter Oil Transmission	1
110-9049	Fuel Filter-Spin on	2
<b>30014** Reelmaster 6500D/6700D (2003–2007) 400 Hour Filter Kit</b>		
108-3841	Engine Oil Filter	3
108-3828	Fuel Filter - In-Line	1
98-9764	Fuel/Water Separator	1
108-3812	Air Filter - Outer	1
108-3813	Air Filter - Inner	1
94-2621	Hydraulic Oil Filter	1
<b>30057** Reelmaster 6500D/6700D (2008 &amp; on) 400 Hour Filter Kit</b>		
108-3841	Engine Oil Filter	3
110-9049	Fuel/Water Separator	1
108-3812	Air Filter - Outer	1
108-3813	Air Filter - Inner	1
94-2621	Hydraulic Oil Filter	1
<b>30056** Reelmaster 7000D 400 Hour Filter Kit (2008 &amp; on) 400 Hour Filter Kit</b>		
104-5169	Engine Oil Filter	3
75-1310	Hydraulic Oil Filter - Pump	1
94-2621	Hydraulic Oil Filter - Manifold	1
110-9049	Fuel/Water Separator	1
108-3814	Air Filter - Outer	1
108-3816	Air Filter - Inner	1

Part Number	Description	Quantity
<b>30030** Groundsmaster 223D 400 Hour Filter Kit</b>		
108-3841	Engine Oil Filter	5
23-2300	Transmission Oil Filter	2
43-2550	Filter - Elec Fuel Pump	1
63-8300	Fuel/Water Separator	1
108-3833	Air Filter	2
<b>30002** Groundsmaster 225 400 Hour Filter Kit</b>		
108-3842	Engine Oil Filter	5
23-2300	Transmission Oil Filter	3
108-3833	Air Filter	1
95-2926	Fuel Filter	1
<b>30001** Groundsmaster 228D 400 Hour Filter Kit</b>		
108-3841	Engine Oil Filter	5
23-2300	Transmission Oil Filter	3
98-9764	Fuel/Water Separator	1
108-3828	Fuel Filter - In-Line	1
108-3810	Air Filter	1
<b>30023** Groundsmaster 325D 400 Hour Filter Kit</b>		
108-3841	Engine Oil Filter	5
23-9740	Transmission Oil Filter	3
43-2550	Filter - Elec Fuel Pump	1
63-8300	Fuel/Water Separator	1
108-3833	Air Filter	1
<b>30022** Groundsmaster 328D (2001–2007) 400 Hour Filter Kit</b>		
108-3841	Engine Oil Filter	3
23-9740	Transmission Oil Filter	3
108-3828	Fuel Filter - In-Line	1
98-9764	Fuel/Water Separator	1
108-3810	Air Filter	1
<b>30059** Groundsmaster 328D (2008 &amp; on) 400 Hour Filter Kit</b>		
108-3841	Engine Oil Filter	3
23-9740	Transmission Oil Filter	3
112-7836	Fuel Filter - In-Line	1
110-9049	Fuel/Water Separator	1
108-3810	Air Filter	2
<b>30021** Groundsmaster 345 400 Hour Filter Kit</b>		
108-3817	Engine Oil Filter	5
23-9740	Transmission Oil Filter	3
108-3831	Fuel Filter	1
108-3833	Air Filter	1

**QUICK REFERENCE GUIDE**  
**MVP KITS**

Part Number	Description	Quantity
<b>Filter Kits continued</b>		
<b>30261**</b>	<b>Groundsmaster 360/7210 Tier 4 Final - Yanmar (2015 &amp; on) 400 Hour Filter Kit</b>	
108-3810	Filter - Air	1
125-7025	Filter	1
108-5194	Filter - Oil, Hydraulic	1
125-2915	Filter - Spin on	1
125-8752	Filter - Fuel	1
<b>30028**</b>	<b>Groundsmaster 455D 400 Hour Filter Kit</b>	
108-3837	Engine Oil Filter	5
86-3010	Hydraulic Oil Filter	1
76-5220	Fuel Filter	1
108-3812	Air Filter - Outer	1
108-3813	Air Filter - Inner	1
<b>30024**</b>	<b>Groundsmaster 580D (1989-2003) 400 Hour Filter Kit</b>	
110-6166	Engine Oil Filter	5
69-1720	Hydraulic Oil Filter	2
69-1770	Fuel/Water Separator	2
108-3815	Air Filter	1
<b>30063**</b>	<b>Groundsmaster 580D (2004-2008) 400 Hour Filter Kit</b>	
110-6166	Engine Oil Filter	3
69-1720	Hydraulic Oil Filter	2
60-5470	Fuel/Water Separator	1
108-3815	Air Filter	2
<b>30010**</b>	<b>Groundsmaster 3000D 400 Hour Filter Kit</b>	
108-3837	Engine Oil Filter	5
94-3951	Hydraulic Oil Filter	2
76-5220	Fuel Filter	1
108-3812	Air Filter	1
<b>30034**</b>	<b>Groundsmaster 3280D (2005-2007) 400 Hour Filter Kit</b>	
108-3841	Engine Oil Filter	4
23-2300	Transmission Oil Filter	4
98-9764	Fuel/Water Separator	1
108-3828	Fuel Filter - In-Line	1
108-3810	Air Filter	1
<b>30051**</b>	<b>Groundsmaster 3280D (2008-2015) 400 Hour Filter Kit</b>	
108-3841	Engine Oil Filter	3
23-2300	Transmission Oil Filter	2
110-9049	Fuel/Water Separator	1
108-3810	Air Filter	1
<b>30262**</b>	<b>Groundsmaster 3280D (2016 &amp; on) 400 Hour Filter Kit</b>	
108-3841	Engine Oil Filter	3
54-0110	Transmission Oil Filter	2
110-9049	Fuel/Water Separator	1
108-3810	Air Filter	1

Part Number	Description	Quantity
<b>30027**</b>	<b>Groundsmaster 3500D/3505D (2002-2007) 400 Hour Filter Kit</b>	
108-3841	Engine Oil Filter	3
86-3010	Hydraulic Oil Filter	3
108-3828	Fuel Filter - In-Line	1
98-9764	Fuel/Water Separator	1
108-3810	Air Filter	2
<b>30058**</b>	<b>Groundsmaster 3500D/3505D Turbo (2008-2012) 400 Hour Filter Kit</b>	
108-3841	Engine Oil Filter	3
86-3010	Hydraulic Oil Filter	3
110-9049	Fuel/Water Separator	1
108-3810	Air Filter	2
<b>30090**</b>	<b>Groundsmaster 3500D (Model 30807/30849) 400 Hour Filter Kit</b>	
108-3841	Engine Oil Filter	3
86-3010	Transmission Oil Filter	3
108-3811	Air Filter	2
110-9049	Filter-Spin on	1
110-9049	Fuel/Water Separator	1
<b>44962**</b>	<b>Groundsmaster 35XX (Non-Tier 4) MVP 1,000 Hour Filter Kit (Units with PX Hydraulic Fluid) (2019 &amp; on)</b>	
108-3810	Air Filter	5
108-3841	Engine Oil Filter	7
86-3010	Transmission Oil Filter	1
110-9049	Fuel Filter	2
<b>30246**</b>	<b>Groundsmaster 3500G (Model 30809) 400 Hour Filter MVP Kit</b>	
108-3811	Air Filter	2
115-8189	Engine Oil Filter	3
86-3010	Hydraulic Oil Filter	3
121-3625	Fuel Pump Filter	1
<b>30029**</b>	<b>Groundsmaster 4000D/4100D/4500D/4700D (2002-2008) 400 Hour Filter Kit</b>	
104-5169	Engine Oil Filter	3
75-1310	Hydraulic Oil Filter - Pump	1
94-2621	Hydraulic Oil Filter - Manifold	1
98-9764	Fuel/Water Separator	1
108-3828	Fuel Filter - In-Line	1
108-3814	Air Filter - Outer	1
108-3816	Air Filter - Inner	1
<b>30056**</b>	<b>Groundsmaster 4000D/4100D/4500D/4700D (2008 &amp; 2012) 400 Hour Filter Kit</b>	
104-5169	Engine Oil Filter	3
75-1310	Hydraulic Oil Filter - Pump	1
94-2621	Hydraulic Oil Filter - Manifold	1
110-9049	Fuel/Water Separator	1
108-3814	Air Filter - Outer	1
108-3816	Air Filter - Inner	1

Part Number	Description	Quantity
<b>30089**</b>	<b>Groundsmaster 4000D/4100D/4500D/4700D Tier 4i 800 Hour Filter MVP Kit Yanmar Engine</b>	
125-7025	Oil Filter	3
75-1310	Hydraulic Oil Filter	1
94-2621	Hydraulic Oil Filter	1
115-9793	Breather	1
108-3814	Air Filter	1
108-3816	Air Filter	1
110-9049	Filter Spin on	2
110-4812	Fuel Filter	1
<b>30408**</b>	<b>Groundsmaster 4000D/4100D/4500D/4700 Tier 4 Final (2013 &amp; on) 800 Hour Filter MVP Kit</b>	
125-7025	Oil Filter	3
75-1310	Hydraulic Oil Filter	1
94-2621	Hydraulic Oil Filter	1
115-9793	Breather	1
108-3814	Air Filter	1
108-3816	Air Filter	1
125-2915	Filter Spin on	2
125-8752	Fuel Filter	2
110-4812	Axle Vent ASM	1
110-4815	Insert Filter ASM	1
<b>44967**</b>	<b>Groundsmaster 4000/4100 MVP 1,000 Hour Filter Kit (Units with PX Hydraulic Fluid) (2019 &amp; on)</b>	
125-7025	Engine Oil Filter	2
75-1310	Hydraulic Filter	1
94-2621	Element	1
115-9793	Breather	1
125-2915	Fuel Filter Water Separator	2
125-8752	Fuel Filter	2
108-3814	Air Filter	2
108-3816	Air Filter	2
<b>30055**</b>	<b>Groundsmaster 4300 400 Hour Filter Kit (2008-2012)</b>	
108-3841	Engine Oil Filter	3
108-3812	Air Filter	1
110-9049	Fuel/Water Separator	1
94-2621	Hydraulic Oil Filter	1
86-3010	Hydraulic Oil Filter	1
<b>30093**</b>	<b>Groundsmaster 4300D 800 Hour MVP Filter Kit (2012 &amp; on)</b>	
108-3810	Air Filter	1
125-7025	Oil Filter	3
94-2621	Filter Element	1
86-3010	Transmission Oil Filter	1
125-2915	Filter Spin on	2
125-8752	Fuel Filter	2

Part Number	Description	Quantity
<b>44964**</b>	<b>Groundsmaster 4300 MVP 1,000 Hour Filter Kit (Tier 4) (Units with PX Hydraulic Fluid) (2019 &amp; on)</b>	
108-3810	Air Filter	2
125-7025	Engine Oil Filter	7
94-2621	Element Filter	1
86-3010	Transmission Oil Filter	1
125-2915	Fuel Filter Ws	2
125-8752	Fuel Filter/Oil	2
<b>30041**</b>	<b>Groundsmaster 5900/5910 400 Hour Filter Kit</b>	
130-8860	Engine Oil Filter	2
86-6110	Hydraulic Oil Filter - Main	1
75-1310	Hydraulic Oil Filter - PTO	1
115-5471	Fuel/Water Separator	1
117-2792	Fuel Filter - AT Engine	1
<b>31609**</b>	<b>Groundsmaster 5900 Tier 4 Final 400 Hour Filter Kit</b>	
125-7025	Oil Filter	2
75-1310	Hydraulic Oil Filter - PTO	1
86-6110	Hydraulic Oil Filter - Main	1
125-2915	Filter Spin on	1
125-8752	Fuel Filter	1
<b>44958**</b>	<b>Groundsmaster 5900/5910 MVP 1,000 Filter Kit (Units with PX Hydraulic Fluid) (2019 &amp; on)</b>	
125-7025	Oil Filter	2
75-1310	Hydraulic Filter	1
86-6110	Hydraulic Filter	1
125-2915	Fuel Filter Water Separator	2
125-8752	Fuel Filter	2
108-3815	Air Filter	2
130-9070	Element Safety	2
<b>30037**</b>	<b>Groundsmaster 7200/7210 (2007) 400 Hour Filter Kit</b>	
108-3841	Engine Oil Filter	3
108-5194	Transmission Oil Filter	2
98-9764	Fuel/Water Separator	1
108-3810	Air Filter	1
108-3828	Fuel Filter - In-Line	1
<b>30052**</b>	<b>Groundsmaster 7200/7210 (2008-2014) 400 Hour Filter Kit</b>	
108-3841	Engine Oil Filter	3
108-5194	Transmission Oil Filter	1
110-9049	Fuel/Water Separator	1
108-3810	Air Filter	1
<b>30008**</b>	<b>Hydroject 3000 Aerator 400 Hour Maintenance Kit</b>	
108-3817	Engine Oil Filter	5
67-8110	Transmission Oil Filter	3
71-5960	Fuel Filter	2
82-0660	Air Filter - Element	2
57-9340	Spark Plug	2

**QUICK REFERENCE GUIDE**  
**MVP KITS**



**QUICK REFERENCE GUIDE**  
MVP KITS

Part Number	Description	Quantity
<b>Filter Kits continued</b>		
<b>30005**</b>	<b>Workman 1100/1110/MD 400 Hour Filter Kit</b>	
108-3811	Air Filter	2
<b>30004**</b>	<b>Workman 2100/2110/MDX 400 Hour Filter Kit</b>	
107-7817	Engine Oil Filter	4
108-3811	Air Filter	2
<b>30017**</b>	<b>Workman 3200/4200 (2002 on) 400 Hour Maintenance Kit</b>	
108-3842	Engine Oil Filter	5
108-3811	Air Filter	2
105-8045	Fuel Filter	1
108-6945	Spark Plug	3
<b>30006**</b>	<b>Workman 3300D/4300D (2002 on) 400 Hour Filter Kit</b>	
108-3842	Engine Oil Filter	5
108-3811	Air Filter	1
54-0110	Transmission Oil Filter	1
63-8300	Fuel/Water Separator	1
<b>30035**</b>	<b>Sand/Infield Pro 3040/5040 400 Hour Filter Kit</b>	
107-7817	Engine Oil Filter	9
54-0110	Hydraulic Oil Filter	2
108-3811	Air Filter	2
<b>44957**</b>	<b>Sand/Infield Pro 3040/5040 MVP 1,000 Hour Filter Kit (Units with PX Hydraulic Fluid) (2019 &amp; on)</b>	
107-7817	Engine Oil Filter	10
108-3811	Air Filter	5
94-2690	Fuel Filter	2
115-7854	Fuel Filter Inline	2
54-0110	Hydraulic Trans Filter	1
<b>08725</b>	<b>SandPro 2040Z 400 Hour Filter Kit</b>	
114-3494	Filter Element	2
127-0381	Inner Filter Kit	4
119-5852	Oil Filter	5
108-3811	Air Filter	2
115-7854	In-Line Fuel Filter	2
92-2153	Spark Plug	2
<b>131-3751</b>	<b>Multi Pro 1750/5800 400 Hour Maintenance Kit (2015 &amp; on)</b>	
120-0796	Pump Kit	1
100-8642	Suction Screen	1
131-0209	Pressure Screen	1
130-7304	Valve Kit	6

Part Number	Description	Quantity
<b>30073**</b>	<b>Workman HDX Series (2012 &amp; Older) 400 Hour Maintenance Kit</b>	
108-3811	Air Filter	2
108-3842	Oil Filter	3
115-7854	Fuel Filter - Inline (5/16)	2
54-0110	Transmission Oil Filter	1
115-7818	Fuel Filter ASM	1
<b>30068**</b>	<b>Workman HDX-D Series (2012 &amp; Older) 400 Hour Maintenance Kit</b>	
108-3811	Air Filter	2
108-3842	Oil Filter	3
110-9049	Fuel/Water Separator	1
54-0110	Transmission Oil Filter	1
<b>30248**</b>	<b>Workman HDX Series (2013 &amp; on) 400 Hour Maintenance Kit</b>	
108-3810	Air Filter	2
115-8189	Filter-Oil, Engine	3
115-7818	Fuel Filter ASM	1
54-0110	Filter-Oil,Transmission	1
125-9139	Spark Plug	3
110-3796	V-Belt	1
<b>30249**</b>	<b>Workman HDX-D Series (2013 &amp; on) 400 Hour Maintenance Kit</b>	
108-3810	Air Filter	2
115-8189	Filter-Oil, Engine	3
110-9049	Filter-Spin on	1
54-0110	Filter-Oil,Transmission	1
110-3796	V-Belt	1
<b>131-8276</b>	<b>Workman HDX-Auto (2014 &amp; on) 400 Hour Maintenance Kit</b>	
108-3811	Air Filter	4
108-3847	Oil Filter	3
115-7818	Fuel Filter ASM	1
54-0110	Filter-Oil, Transmission	1
136-1100	Spark Plug	2
<b>136-6280</b>	<b>Workman GTX 400 Hour Maintenance Kit</b>	
108-3811	Air Filter	4
56-6360	Fuel Filter	1
130-8380	Spark Plug	1
131-8588	Filter-Fuel (75 Micron GR)	
140-2443	Filter-Fuel	

Part Number	Description	Quantity
<b>Touch-Up Paint</b>		
<b>361-1</b>	<b>TORO Red (Prior to 1990) 12 oz Spray Can Touch-Up Paint</b>	<b>A/R</b>
<b>361-10</b>	<b>TORO Red (1990 &amp; on) 12 oz Spray Can Touch-Up Paint</b>	<b>A/R</b>
<b>112-0178</b>	<b>TORO Red (1990 &amp; on) 0.6 oz Brush-in-Cap Touch-Up Paint</b>	<b>A/R</b>
<b>112-0177</b>	<b>TORO Red (1990 &amp; on) 0.3 oz Paint Marker Touch-Up Paint</b>	<b>A/R</b>
<b>112-0176</b>	<b>TORO Black 0.6 oz Brush-in-Cap Touch-Up Paint</b>	<b>A/R</b>

**QUICK REFERENCE GUIDE**  
**FILTERS**

Equipment	Description	Part Number
<b>Greensmaster® Walkers</b>		
<b>Greensmaster 500</b>	Maintenance Kit (2004–2011)	30065**
<b>800</b>	Maintenance Kit (2012 & on)	30097**
<b>1000</b>	Air Filter Element - Main	93-8636
<b>1600</b>	Air Filter Element - Wrapper	93-8637
<b>2600</b>	Gas Fuel Filter Screen (GR 1000 1995–Mid 1996 & on only)	93-8684
	Gas Fuel Filter Screen	94-6826
<b>Greensmaster Flex 18/21</b>	Maintenance Kit (2004–2011)	30065**
	Maintenance Kit (2012 & on)	30097**
	Air Filter Element - Main	93-8636
	Air Filter Element - Wrapper	93-8637
	Gas Fuel Filter Screen	94-6826
	Gas Fuel Filter Screen	94-6826
<b>Greensmaster® Riders</b>		
<b>Greensmaster 300</b>	Engine Oil Filter Breather Element	235118
	Air Filter Element	235116
	In-Line Fuel Filter	108-3831
	Hydraulic Oil Filter Element	74-3570
	Air Filter Element	92-0530
<b>Greensmaster 3000</b>	Engine Oil Filter Breather Element	235118
	Air Filter Element - Main	4508302
	Air Filter Element - Wrapper	4508301
	In-Line Fuel Filter	108-3831
	Hydraulic Oil Filter Element	74-3570
	Air Filter Element	92-0530
	Engine Oil Filter	108-3841
<b>Greensmaster 3000D</b>	Engine Oil Filter	108-3841
	Air Filter Element	108-3833
	Fuel Filter Diesel - Electric Pump	43-2550
	Fuel Filter Element - Diesel	63-8300
	Hydraulic Oil Filter	74-3570
<b>Greensmaster 3050 3100</b>	Engine Oil Filter	107-7817
	Air Filter Element - Main	92-0527
	In-Line Fuel Filter	94-2690
	Hydraulic Oil Filter	74-3570
<b>Greensmaster 3150</b>	400 Hour Filter Kit (Up to 2011)	30064**
	800 Hour Filter Kit (2013 & on)	131-6262
	MVP Kit 1,000 Hour (2019 & on)	44955**
	Engine Oil Filter	107-7817
	Air Filter Element - Main	92-0527
	In-Line Fuel Filter	94-2690
	Hydraulic Oil Filter	107-9531

Equipment	Description	Part Number
<b>Greensmaster 3200D</b>	Engine Oil Filter	85-4930
	Air Filter Element	108-3811
	Diesel Fuel Filter	130336040
	Hydraulic Oil Filter Element	75-1310
	Air Filter Element	92-0530
<b>Greensmaster 3250D</b>	400 Hour Filter Kit (2003–2006)	30018**
	400 Hour Filter Kit (2007–2011)	30062**
	500 Hour Filter Kit (2012 & on)	30086**
	MVP Kit 1,000 Hour (2019 & on)	44968**
	Engine Oil Filter (2007–2011)	108-3842
	Engine Oil Filter (2012 & on Kubota)	115-8189
	Air Filter Element	108-3811
	Air Filter Safety	98-2982
	Diesel Fuel Filter Element (2000–2006)	100-3192
	Bio-Diesel Fuel Filter Element (2007–2011)	112-9188
	Filter - Spin on	110-9049
	Hydraulic Oil Filter Element (2000–2002)	75-1310
	Hydraulic Oil Filter Element (2003 & on)	107-9531
<b>Greensmaster 3300 3320</b>	400 Hour Filter Kit	30042**
	MVP Kit 1,000 Hour (2019 & on)	44969**
	In-Line Fuel Filter	115-7854
	Fuel Filter	94-2690
	Hydraulic Oil Filter	108-5194
<b>Greensmaster 3360 (e-TriFlex)</b>	MVP Kit 400 Hour (2019 & on)	44971**
	Filter - Fuel Inline	115-7854
	Filter - Element Air	120-7448
<b>Greensmaster 3400 3420</b>	400 Hour Filter Kit	30043**
	MVP Kit 1,000 Hour (2019 & on)	44970**
	Engine Oil Filter	115-8189
	Air Filter	108-3811
	Diesel Fuel Filter (2008 & on)	110-9049
	Hydraulic Oil Filter Element	108-5194
<b>Reelmaster®</b>		
<b>Reelmaster 216</b>	Engine Oil Filter Breather Element	235118
	Air Filter Element - Main	4508302
	Air Filter Element - Wrapper	4508301
	Gas In-Line Fuel Filter	108-3854
	Hydraulic Oil Filter	54-0110
<b>Reelmaster 216D</b>	Engine Oil Filter	85-4930
	Air Filter Element	108-3808
	Diesel Fuel Filter Element	130336040
	Hydraulic Oil Filter	54-0110

Equipment	Description	Part Number
<b>Grounds Pro 2000</b>	Engine Oil Filter	107-7817
	Air Filter Element - Main	92-0527
	Air Filter Element - Wrapper	2724905
	In-Line Fuel Filter	108-3854
	Hydraulic Oil Filter Element	54-0110
<b>Grounds Pro 2000D</b>	Engine Oil Filter	108-3842
	Air Filter Element	108-3811
	Diesel Fuel Filter Element Separator	63-8300
	Hydraulic Oil Filter	54-0110
<b>Reelmaster 2000D</b>	Engine Oil Filter	108-3842
	Air Filter Element (2005 & on)	108-3811
	Diesel Fuel Filter Element Separator	63-8300
	Hydraulic Oil Filter Element	54-0110
<b>Reelmaster 2300D 2600D</b>	Engine Oil Filter	85-4930
	Air Filter Element	108-3811
	Diesel Fuel Filter Element	130336040
	Hydraulic Oil Filter Element	54-0110
<b>Reelmaster 3100</b>	400 Hour Filter Kit (1999–2007)	30016**
	400 Hour Filter Kit (2008 & on)	44963**
	Engine Oil Filter	108-3841
	Engine Oil Filter Breather Element	98-9493
	Air Filter Element (2005 & on)	108-3811
	In-Line Plastic Diesel Fuel Filter (1999–07 & 2010)	98-7612
	In-Line Metal Diesel Fuel Filter (1999–2007)	108-3828
	Diesel Fuel Filter Element (1999–2007)	98-9764
	Diesel Fuel Filter Element (2008 & on)	110-9049
	In-Line Bio-Diesel Kit	112-7836
	Element Bio-Diesel Kit	110-9015
	Hydraulic Oil Filter Element	54-0110
	Filter Head	92-5821
<b>Reelmaster 3550D</b>	400 Hour Filter Kit	30090**
	MVP Kit 1,000 Hour (2019 & on) Tier 4	44963**
	Air Filter	108-3811
	Engine Oil Filter	108-3841
	Transmission Oil Filter	86-3010
	Spin on Filter	110-9049
	Filter Head	92-5821
<b>Reelmaster 223D 5100D</b>	Engine Oil Filter	108-3841
	Air Filter Element	108-3833
	Air Filter Pre-Cleaner Assembly	48-7430
	Diesel Fuel Filter Element Separator	63-8300
	Diesel Electric Fuel Pump Filter (EFP)	43-2550
	Hydraulic Oil Filter Element Reservoir	75-1310
	Hydraulic Oil Filter Element Trans	110-4146
	Hydraulic Oil Filter Element Front Axle	75-6340

**QUICK REFERENCE GUIDE**  
**FILTERS**

Equipment	Description	Part Number
<b>Reelmaster 5210 5410 5510</b>	400 Hour Filter Kit (2006–07)	30039**
	400 Hour Filter Kit (2008 & on) non Tier4	30054**
	MVP Kit 1,000 Hour (2019 & on) Non-Tier 4	44959**
	MVP Kit 1,000 Hour (2019 & on) Tier 4	44964**
	Engine Oil Filter	108-3841
	Air Filter Element	108-3810
	In-Line Plastic Diesel Fuel Filter (2006–2007)	98-7612
	In-Line Metal Diesel Fuel Filter (2006–2007)	108-3828
	Diesel Fuel Filter Element (2006–2007)	98-9764
	Diesel Fuel Filter Element (2008 & on)	110-9049
	In-Line Bio-Diesel Kit	112-7836
	Element Bio-Diesel Kit	110-9015
	Filter Head	92-5821
<b>Reelmaster 5410G 5510G</b>	800 Hour Filter Kit	30091**
	Air Filter	108-3810
	Oil Filter	108-3841
	Filter Element	94-2621
	Transmission Oil Filter	86-3010
<b>Reelmaster 5410D 5510D</b>	800 Hour Filter Kit Tier4 Final	30093**
	Air Filter	108-3810
	Engine Filter	125-7025
	Filter Element	94-2621
	Transmission Oil Filter	86-3010
	Filter Spin on	125-2915
	Fuel Filter	125-8752
<b>Reelmaster 5010-H</b>	800 Hour Filter Kit	30247**
	MVP Kit 1,000 Hour (2019 & on)	44966**
	Engine Oil Filter	108-3841
	Fuel/Water Separator	110-9049
	Hydraulic Oil Filter	86-3010
	Air Filter	108-3810

**QUICK REFERENCE GUIDE**  
**FILTERS**

Equipment	Description	Part Number
<b>Reelmaster®</b>		
<b>Reelmaster 5200D 5400D</b>	400 Hour Filter Kit	30015**
	Engine Oil Filter	108-3841
	Engine Oil Filter Breather Element	98-9493
	Air Filter Element (2005 & on)	108-3810
	Air Filter Pre-Cleaner Assembly	48-7430
	In-Line Plastic Diesel Fuel Filter (1998)	98-7612
	In-Line Metal Diesel Fuel Filter (1998)	108-3828
	Diesel Fuel Filter Assembly (1991-2001)	99-8351
	Diesel Fuel Filter Element (1991-2001)	99-8358
	In-Line Plastic Diesel Fuel Filter (2002 & on)	98-7612
	In-Line Metal Diesel Fuel Filter (2002 & on)	108-3828
	Diesel Fuel Filter Element Separator	98-9764
	In-Line Bio-Diesel Kit	112-7836
	Bio-Diesel Fuel Filter Element	110-9015
	Hydraulic Oil Filter Element Reservoir	75-1310
	Hydraulic Oil Filter Element Trans	110-4146
	Hydraulic Oil Filter Element Front Axle	75-6340
<b>Reelmaster 5300D</b>	Engine Oil Filter	112-8409
	Air Filter Element	108-3833
	Air Filter Pre-Cleaner Assembly	48-7430
	Diesel Fuel Filter Element Separator	63-8300
	Diesel Electric Fuel Pump	43-2550
	Hydraulic Oil Filter Element Reservoir	75-1310
	Hydraulic Oil Filter Element Trans	110-4146
	Hydraulic Oil Filter Element Front Axle	75-6340
<b>Reelmaster 5500D</b>	400 Hour Filter Kit	30038**
	Engine Oil Filter	108-3841
	Engine Oil Breather Element	98-9493
	Air Filter Element (2005 & on)	108-3810
	Air Filter Pre-Cleaner Assembly	48-7430
	In-Line Diesel Fuel Filter (2000-2001)	99-8351
	In-Line Plastic Diesel Fuel Filter (2002 & on)	98-7612
	In-Line Metal Diesel Fuel Filter (2002 & on)	108-3828
	Diesel Fuel Filter Element Separator	98-9764
	In-Line Bio-Diesel Kit	112-7836
	Bio-Diesel Fuel Filter Element	110-9015
	Hydraulic Oil Filter Element Reservoir	94-2621
	Hydraulic Oil Filter Element Trans	110-4146
	Hydraulic Oil Filter Element Front Axle	75-6340

Equipment	Description	Part Number
<b>Reelmaster 5610</b>	400 Hour Filter Kit (2006-2007)	30040**
	400 Hour Filter Kit (2008-2012)	30055**
	MVP Kit 1,000 Hour (2019 & on) Non-Tier 4	44960**
	Engine Oil Filter	108-3841
	Air Filter Element	108-3812
	In-Line Plastic Diesel Fuel Filter (2006-2007)	98-7612
	In-Line Metal Diesel Fuel Filter (2006-2007)	108-3828
	Diesel Fuel Filter Element (2006-2007)	98-9764
	Diesel Fuel Filter Element (2008 & on)	110-9049
	In-Line Bio-Diesel Kit	112-7836
	Bio-Diesel Fuel Filter Element	110-9015
	Hydraulic Oil Filter Element Steering	86-3010
<b>Reelmaster 6500D 6700D</b>	400 Hour Filter Kit (2003-2007)	30014**
	400 Hour Filter Kit (2008 & on)	30057**
	Engine Oil Filter (1995-2001)	108-3837**
	Engine Oil Filter (2001 & on)	108-3841
	Engine Oil Breather Element (2001 & on)	98-9493
	Air Filter Outer	108-3812
	Air Filter Inner	108-3813
	Diesel Fuel Filter Element (1995-2001)	76-5220
	Diesel Fuel Filter Assembly (2001-2002)	99-8351
	Diesel Fuel Filter Element (2001-2002)	99-8358
	In-Line Plastic Diesel Fuel Filter (2003-2007)	98-7612
	In-Line Metal Diesel Fuel Filter (2003-2007)	108-3828
	Diesel Fuel Filter Element (2003-2007)	98-9764
	Diesel Fuel Filter Element (2008 & on)	110-9049
	In-Line Bio-Diesel Kit	112-7836
	Element Bio-Diesel Kit	110-9015
	Hydraulic Oil Filter Element	94-2621
<b>Reelmaster 335D 3500D</b>	Engine Oil Filter	108-3837
	Air Filter Element	108-3833
	Diesel Fuel Filter Element	76-5220
	Hydraulic Oil Filter Element	86-3010
<b>Reelmaster 450D 4500D</b>	Engine Oil Filter	108-3835
	Air Filter Element	108-3833
	Air Filter Pre-Cleaner Assembly	48-7430
	Diesel Fuel Filter Element	60-5470
	Hydraulic Oil Filter Element (1986-1992)	69-1720
	Hydraulic Oil Filter Element (1993 & on)	86-6110

Equipment	Description	Part Number
<b>Reelmaster 4000D</b>	400 Hour Filter Kit (2002-2007)	30012**
	400 Hour Filter Kit (2008 & on)	30061**
	Engine Oil Filter	104-5169
	Engine Oil Breather Element	98-7419
	Air Filter Outer	108-3812
	Air Filter Inner	108-3813
	In-Line Plastic Diesel Fuel Filter (1998-2001)	98-7612
	In-Line Metal Diesel Fuel Filter (1998-2001)	108-3828
	In-Line Diesel Fuel Filter Assembly (2002-2003)	99-8351
	In-Line Diesel Fuel Filter Element (2002-2003)	99-8358
	In-Line Plastic Diesel Fuel Filter (2004-2007)	98-7612
	In-Line Metal Diesel Fuel Filter	108-3828
	Diesel Fuel Filter Element Separator (1998-2001)	76-5220
	Diesel Fuel Filter Element Separator (2002 & on)	98-9764
	In-Line Bio-Diesel Kit	112-7836
	Element Bio-Diesel Kit	110-9015
	Hydraulic Oil Filter Element	86-6110
<b>Reelmaster 7000D</b>	Engine Oil Filter	104-5169
	Air Filter Outer	108-3814
	Air Filter Inner	108-3816
	Gas Fuel Filter Element (2008 & on)	110-9049
	Hydraulic Oil Filter AT Pump	75-1310
	Hydraulic Oil Filter AT Manifold	94-2621
	Oil Filter	93-2242
<b>Groundsmaster®</b>		
<b>Groundsmaster 53</b>	Air Filter Element	108-3808
	In-Line Gas Fuel Filter	108-3831
	Hydraulic Oil Filter Element - Trans	23-2300
<b>Groundsmaster 62</b>	Engine Oil Filter	108-3817
	Air Filter Element	108-3833
	In-Line Gas Fuel Filter	108-3831
	Hydraulic Oil Filter Element - Trans	23-2300
<b>Groundsmaster 217D</b>	Engine Oil Filter	42-9030
	Air Filter Element	108-3833
	In-Line Diesel Fuel Filter	43-1820
	Diesel Electric Fuel Pump Filter (EFP)	43-2550
	Hydraulic Oil Filter Element- Trans	23-2300
<b>Groundsmaster 220</b>	Engine Oil Filter	108-3817
	Engine Oil Filter Breather Element	57-8580
	Air Filter Element	108-3833
	In-Line Gas Fuel Filter	71-5960
	Hydraulic Oil Filter Element- Trans	23-2300

Equipment	Description	Part Number
<b>Groundsmaster 220D 223D</b>	400 Hour Filter Kit	30030**
	Engine Oil Filter	108-3841
	Air Filter Element	108-3833
	Diesel Fuel Filter Element Separator	63-8300
	Diesel Electric Fuel Pump Filter (EFP)	43-2550
	Hydraulic Oil Filter Element- Trans	23-2300
<b>Groundsmaster 224</b>	Engine Oil Filter	108-3841
	Air Filter Element	108-3833
	In-Line Gas Fuel Filter	108-3831
	Gas Electric Fuel Pump Filter	43-2550
	Hydraulic Oil Filter Element- Trans	23-2300
	Hydraulic Oil Filter Element- Trans	23-2300
<b>Groundsmaster 225</b>	400 Hour Filter Kit	30002**
	Engine Oil Filter	108-3842
	Air Filter Element	108-3833
	In-Line Gas Fuel Filter	108-3854
	Hydraulic Oil Filter Element- Trans	23-2300
	Hydraulic Oil Filter Element- Trans	23-2300
<b>Groundsmaster 228D</b>	400 Hour Filter Kit	30001**
	Engine Oil Filter	108-3841
	Engine Oil Filter Breather Element	98-9493
	Air Filter Element	108-3810
	In-Line Plastic Diesel Fuel Filter	98-7612
	In-Line Metal Diesel Fuel Filter	108-3828
	Diesel Fuel Filter Element Separator	98-9764
	In-Line Bio-Diesel Fuel Filter Kit	112-7836
	Bio-Diesel Fuel Filter Element	110-9015
	Diesel Electric Fuel Pump Filter (EFP)	43-2550
	Hydraulic Oil Filter Element- Trans	23-2300
<b>Groundsmaster 322D</b>	Engine Oil Filter	42-9030
	Air Filter Element	108-3833
	In-Line Diesel Fuel Filter	43-1820
	Diesel Fuel Filter Element Separator (1989-1990)	63-8300
	Diesel Electric Fuel Pump Filter (EFP)	43-2550
	Hydraulic Oil Filter Element- Trans	23-2300
<b>Groundsmaster 325D</b>	400 Hour Filter Kit	30023**
	Engine Oil Filter 2WD	42-9030
	Engine Oil Filter 4WD (1991-1994)	42-9030
	Engine Oil Filter 4WD (1995 & on)	108-3841
	Air Filter Element	108-3833
	In-Line Diesel Fuel Filter	43-1820
	Diesel Fuel Filter Element Separator	63-8300
	Diesel Electric Fuel Pump Filter (EFP)	43-2550
	Hydraulic Oil Filter Element	23-9740

**QUICK REFERENCE GUIDE**  
**FILTERS**

Equipment	Description	Part Number
<b>Groundsmaster<sup>®</sup> continued</b>		
<b>Groundsmaster 327</b>	Engine Oil Filter Contact Local Toro Distributor	
	Air Filter Element	108-3833
	In-Line Gas Fuel Filter	108-3831
	Hydraulic Oil Filter Element - Trans	23-2300
<b>Groundsmaster 328D</b>	400 Hour Filter Kit (2001 thru 2007)	30022**
	400 Hour Filter Kit (2008 & on)	30059**
	Engine Oil Filter	108-3841
	Engine Oil Filter Breather Element	98-9493
	Air Filter Element	108-3810
	In-Line Plastic Diesel Fuel Filter (2001-2007)	98-7612
	In-Line Metal Diesel Fuel Filter (2001-2007)	108-3828
	Diesel Fuel Filter Element (2001-2007)	98-9764
	Diesel Fuel Filter Element (2008 & on)	110-9049
	Diesel Electric Fuel Pump Filter (EFP)	43-2550
	In-Line Bio-Diesel Fuel Filter Kit	112-7836
	Bio-Diesel Fuel Filter Element	110-9015
	Hydraulic Oil Filter Element	23-9740
<b>Groundsmaster 345</b>	400 Hour Filter Kit	30021**
	Engine Oil Filter	108-3817
	Air Filter Element	108-3833
	Gas Fuel Filter AT Tank	108-3831
	Gas Fuel Filter Engine (1999 & on)	FG778B
	Hydraulic Oil Filter	23-9740
<b>Groundsmaster 360</b>	MVP Filter Kit	30261**
	Engine Oil Filter	108-3841
	Air Filter Element	108-3810
	Diesel Fuel Filter Element (2008 & on)	110-9049
	Hydraulic Oil Filter Element Trans	108-5194
<b>Groundsmaster 455D</b>	Hydraulic Oil Filter	23-9740
	400 Hour Filter Kit	30028**
<b>Groundsmaster 455D</b>	Engine Oil Filter	108-3837
	Air Filter Element (1992-95)	108-3833
	Air Filter Element Outer (1996 & on)	108-3812
	Air Filter Element Inner (1996 & on)	108-3813
	Diesel Fuel Filter Element	76-5220
	Hydraulic Oil Filter Element	86-3010

Equipment	Description	Part Number
<b>Groundsmaster 580D</b>	400 Hour Filter Kit (1989-03)	30024**
	400 Hour Filter Kit (2004 & on)	30063**
	Engine Oil Filter (1989-1997)	108-3835
	Engine Oil Filter (1998 & on)	110-6166
	Air Filter Element (1989-1997)	108-3809
	Air Filter Element 2005 & on)	108-3815
	Diesel Fuel Filter Element Injection Pump	108-3818
	Diesel Fuel Filter Feed Pump	70-4790
	Diesel Fuel Filter Element (1989-2003)	117-9432
	Diesel Fuel Filter Element (2004-2005)	60-5470
	In-Line Diesel Fuel Filter (2006 & on)	108-3831
	Bio-Diesel Fuel Filter Element Kit	112-9188
	Hydraulic Oil Filter Element	69-1720
	<b>Groundsmaster 3000</b>	Engine Oil Filter
Air Filter Element (1996)		108-3812
Gas Fuel Filter		FG795A
Hydraulic Oil Filter Element		94-3951
Hydraulic Oil Filter Element Trans		108-5194
<b>Groundsmaster 3000D</b>	Hydraulic Oil Filter	23-9740
	400 Hour Filter Kit	30010**
	Engine Oil Filter	108-3837
	Air Filter Element (1996)	108-3812
<b>Groundsmaster 3280D</b>	Diesel Fuel Filter Element	76-5220
	Hydraulic Oil Filter Element	94-3951
	400 Hour Filter Kit (2005-2007)	30034**
	400 Hour Filter Kit (2008-2015)	30051**
	400 Hour Filter Kit (2016 & on)	30262**
	Engine Oil Filter	108-3841
	Air Filter Element (2005 & on)	108-3810
	In-Line Plastic Diesel Fuel Filter	98-7612
	In-Line Metal Diesel Fuel Filter (2005-2007)	108-3828
	Diesel Fuel Filter Element (2005-2007)	98-9764
	Diesel Fuel Filter Element (2008 & on)	110-9049
	In-Line Bio-Diesel Fuel Filter Kit	112-7836
	Bio-Diesel Fuel Filter Element	110-9015
Hydraulic Oil Filter Element - Trans	23-2300	
<b>Groundsmaster 3320</b>	Engine Oil Filter	108-3842
	Air Filter Element (2005 & on)	108-3810
	In-Line Gas Fuel Filter	108-3854
	Hydraulic Oil Filter Element - Trans	23-2300

Equipment	Description	Part Number	
<b>Groundsmaster 3500D 3505D</b>	400 Hour Filter Kit (2002-2007)	30027**	
	400 Hour Filter Kit (2008-2012)	30058**	
	400 Hour Filter Kit (2013 & on)	30090**	
	MVP Kit 1,000 Hour (2019 & on) Non-Tier 4	44962**	
	MVP Kit 1,000 Hour (2019 & on) Tier4	44963**	
	Engine Oil Filter	108-3841	
	Engine Oil Filter Breather Element	98-9493	
	Air Filter Element (2005 & on)	108-3810	
	In-Line Plastic Diesel Fuel Filter (2002-2007)	98-7612	
	In-Line Metal Diesel Fuel Filter (2002-2007)	108-3828	
<b>Groundsmaster 3500G</b>	Diesel Fuel Filter Element (2002-2007)	98-9764	
	Diesel Fuel Filter Element (2008-2012)	110-9049	
	In-Line Bio-Diesel Fuel Filter Kit	112-7836	
	Bio-Diesel Fuel Filter Element	110-9015	
	Hydraulic Oil Filter Element (2000-2001)	54-0110	
	Hydraulic Oil Filter Element (2002 & on)	86-3010	
	MVP Kit 1,000 Hour (2019 & on)	44965**	
	<b>Groundsmaster 4000D 4100D</b>	400 Hour Filter Kit (2001-2007)	30029**
		400 Hour Filter Kit (2008 & on)	30056**
		800 Hour Filter Kit (T4I)	30089**
800 Hour Filter Kit (T4F)		30408**	
MVP Kit 1,000 Hour (2019 & on)		44967**	
Engine Oil Filter (2001 & on)		104-5169	
Engine Oil Filter Breather Element		98-7419	
Air Filter Element Inner (2004 & on)		108-3816	
Air Filter Element Outer (2004 & on)		108-3814	
In-Line Plastic Diesel Fuel Filter (2001-2007)		98-7612	
<b>Groundsmaster 4300D</b>	In-Line Metal Diesel Fuel Filter (2001-2007)	108-3828	
	Diesel Fuel Filter Element (2001-2007)	98-9764	
	Diesel Fuel Filter Element (2008 & on)	110-9049	
	In-Line Bio-Diesel Fuel Filter Kit	112-7836	
	Bio-Diesel Fuel Filter Element	110-9015	
	Hydraulic Oil Filter Element AT Pump	75-1310	
	Hydraulic Oil Filter Element AT Manifold	94-2621	
	Oil Filter	93-2242	
	Filter - Fuel/ Water Separator	125-2915	
	400 Hour Filter Kit (2008-2012)	30055**	
800 Hour Filter Kit (2013 & on)	30093**		
<b>Groundsmaster 4300D</b>	MVP Kit 1,000 Hour (2019 & on) Tier 4	44964**	
	Engine Oil Filter	108-3841	
	Air Filter	108-3812	
	In-Line Diesel Fuel Filter	110-9044	
	Diesel Fuel Filter Element (2008-2012)	110-9049	
	Hydraulic Oil Filter Reservoir Element	94-2621	
	Hydraulic Oil Filter AT Pump Element	86-3010	

Equipment	Description	Part Number
<b>Groundsmaster 4500D 4700D</b>	400 Hour Filter Kit (2001-2007)	30029**
	400 Hour Filter Kit (2008 & on)	30056**
	800 Hour Filter Kit (T4i)	30089**
	800 Hour Filter Kit (T4F)	30408**
	Engine Oil Filter	104-5169
	Engine Oil Filter Breather Element	98-7419
	Air Filter Element Inner (2004 & on)	108-3816
	Air Filter Element Outer (2004 & on)	108-3814
	In-Line Plastic Diesel Fuel Filter (2002-2007)	98-7612
	In-Line Metal Diesel Fuel Filter (2002-2007)	108-3828
	Diesel Fuel Filter Element (2002-2007)	98-9764
<b>Groundsmaster 5900 5910</b>	Diesel Fuel Filter Element (2008 & on)	110-9049
	In-Line Bio-Diesel Fuel Filter Kit	112-7836
	Bio-Diesel Fuel Filter Element	110-9015
	Hydraulic Oil Filter Element AT Pump	75-1310
	Hydraulic Oil Filter Element AT Manifold	94-2621
	Oil Filter	93-2242
	400 Hour Filter Kit	30041**
	MVP Kit 1,000 Hour (2019 & on)	44958**
	Engine Oil Filter	130-8860
	Air Filter Element Inner	115-8877
	Air Filter Element Outer	115-8887
<b>Groundsmaster 7200 7210</b>	Diesel Fuel Filter Element AT Engine	117-2792
	Diesel Fuel Filter Element AT Separator	115-5471
	Hydraulic Oil Filter Main Element	86-6110
	Hydraulic Oil Filter PTO Element	75-1310
	Fuel Filter (2016 & on)	125-8752
	Engine Filter (2016 & on)	125-7025
	400 Hour Filter Kit (2007)	30037**
	400 Hour Filter Kit (2008-2014)	30052**
	MVP Filter Kit, Tier 4 Final (2015 & on)	30261**
	Engine Oil Filter	108-3841
	Air Filter Element	108-3810
<b>Groundsmaster 7200 7210</b>	In-Line Plastic Diesel Fuel Filter (2007)	98-7612
	In-Line Metal Diesel Fuel Filter (2007)	108-3828
	Diesel Fuel Filter Element (2007)	98-9764
	Diesel Fuel Filter Element (2008 & on)	110-9049
	Bio-Diesel Fuel Filter Element	110-9015
	Hydraulic Oil Filter Element - Trans	108-5194
	Filter - Fuel/Water Separator	125-2915

**QUICK REFERENCE GUIDE**  
**FILTERS**

Equipment	Description	Part Number
<b>Aerator</b>		
<b>ProCore 648</b>	Inline Fuel Filter	115-7854
	Hydraulic Oil Filter	107-9531
<b>Hydroject 3000 4000</b>	400 Hour Maintenance Kit	30008**
	Engine Oil Filter Breather Element	57-8580
	Engine Oil Filter	108-3817
	Air Filter Element	82-0660
	In-Line Gas Fuel Filter	71-5960
	Hydraulic Oil Filter Element (3000 only)	67-8110
	Water Filter Pre-Filter Assembly	86-9100
	Water Filter Pre-Filter Bowl	86-9120
	Water Filter Element Pre-Filter	86-9140
	Water Filter Element Standard	86-8630
Water Filter Element - 25 Micron	80-9590	
<b>Hydroject 3010</b>	Engine Oil Filter	52 050 02-S
	Air Filter Element - Primary	25 083 01 S
	Air Filter Element - Safety	25 083 04 S
	In-Line Gas Fuel Filter	24 050 09 S
	Hydraulic Oil Filter Element	67-8110
	Water Filter Pre-Filter Assembly	86-9100
	Water Filter Pre-Filter Bowl	86-9120
	Water Filter Element Pre-Filter	86-9140
Water Filter Element Standard	86-8630	
<b>Workman*</b>		
<b>Workman 1100 MD</b>	400 Hour Filter Kit	30005**
	Air Filter Element	108-3811
	In-Line Gas Fuel Filter	94-2690
	Engine Oil Filter	107-7817
<b>Workman 2100 2110</b>	400 Hour Filter Kit	30004**
	Engine Oil Filter (2000-07)	107-7817
	Engine Oil Filter (2008 & on)	842921
	Air Filter Element	108-3811
	In-Line Gas Fuel Filter	94-2690
	Water Filter Pre-Filter Assembly	86-9100
	Water Filter Pre-Filter Bowl	86-9120
Water Filter Element Pre-Filter	86-9140	
Water Filter Element Standard	86-8630	
<b>Workman MDX</b>	Engine Oil Filter	52 050 02-S
	MDX	25 083 01 S
	Air Filter Element - Safety	25 083 04 S
	In-Line Gas Fuel Filter	24 050 09 S

Equipment	Description	Part Number
<b>Workman 3100</b>	Engine Oil Filter	12 050 01-S**
	Engine Oil Filter Breather Element	24 050 10
	Air Filter Element - Main (1994-2001)	47 083 03-S
	Air Filter Element - Main (2002 & on)	24 083 03-S
	Air Filter Element - Wrapper (1994-2001)	24 083 02-S
	Air Filter Element - Wrapper (2002 & on)	24 083 05-S
	In-Line Gas Fuel Filter (1993-1999)	108-3831
	In-Line Gas Fuel Filter (2000 & on)	108-3854
	Hydraulic Oil Filter Element (1994-2003)	54-0110
	<b>Workman 3120</b>	Engine Oil Filter
Engine Oil Filter Breather Element		24 050 10
Air Filter Element - Main		47 083 03-S
Air Filter Element - Wrapper		24 083 02-S
In-Line Gas Fuel Filter		108-3831
In-Line Gas Fuel Filter		108-3854
Hydraulic Oil Filter Element		54-0110
<b>Workman 3200</b>	400 Hour Maintenance Kit	30017**
	Engine Oil Filter (1993-1994)	42-9030
	Engine Oil Filter (1995-2001)	108-3841
	Engine Oil Filter (2002 & on)	108-3842
	Air Filter Element (1993-1998)	108-3808
	Air Filter Safety Element (1999-2001)	98-2982
	Gas Fuel Filter (1993-1999)	108-3831
	In-Line Gas Fuel Filter (2000 & on)	108-3854
	Hydraulic Oil Filter Element (1993-2003)	54-0110
	<b>Workman 3210 3220</b>	Engine Oil Filter
Air Filter Element		108-3811
Air Filter Safety Element		98-2982
In-Line Gas Fuel Filter		108-3831
Hydraulic Oil Filter Element		54-0110
Hydraulic Oil Filter Element		54-0110
<b>Workman 3300D 4300D</b>	400 Hour Maintenance Kit (2002 & on)	30006**
	Engine Oil Filter (1993-2001)	108-3841
	Engine Oil Filter (2002 & on)	108-3842
	Air Filter Element (1993-1998)	108-3808
	Air Filter Element (1999 & on)	108-3811
	Air Filter Safety Element (1999 & on)	98-2982
	Gas Fuel Filter Element Separator	63-8300
	Gas Electric Fuel Pump Filter (EFP)	43-2550
Hydraulic Oil Filter Element (1993-2003)	54-0110	
<b>Workman 3310D 3220D</b>	Engine Oil Filter	108-3841
	Air Filter Element	108-3811
	Air Filter Safety Element	98-2982
	Diesel Fuel Filter Element Separator	63-8300
	Diesel Electric Fuel Pump Filter (EFP)	43-2550
	Hydraulic Oil Filter Element	54-0110
	Hydraulic Oil Filter Element	54-0110
	Hydraulic Oil Filter Element	54-0110

Equipment	Description	Part Number	
<b>Workman 3420</b>	Engine Oil Filter	108-3841	
	Air Filter Element	108-3811	
	In-Line Gas Fuel Filter	108-3831	
	Hydraulic Oil Filter Element	54-0110	
<b>Workman 4200</b>	400 Hour Maintenance Kit (2002-2007)	30017**	
	Engine Oil Filter (1995-2001)	108-3841	
	Engine Oil Filter (2002 & on)	108-3842	
	Air Filter Element (1993-1998)	108-3808	
	Air Filter Element (1999 & on)	108-3811	
	Air Filter Safety Element (1999 & on)	98-2982	
	In-Line Gas Fuel Filter (1993-1999)	108-3831	
	In-Line Gas Fuel Filter (200 & on)	108-3854	
	Hydraulic Oil Filter Element (1995-2003)	54-0110	
	Engine Oil Filter	108-3847	
<b>Workman HD</b>	Engine Oil Filter	12 050 01-S	
	Air Filter Pre-Cleaner	24 083 05-S	
	Air Filter Element	24 083 03-S	
	In-Line Gas Fuel Filter (2012 & on)	108-3854	
	In-Line Gas Fuel Filter	115-7854	
	Hydraulic Oil Filter Element	54-0110	
<b>Workman HDX</b>	400 Hour Maintenance Kit	30073**	
	Engine Oil Filter (2012 & Older)	108-3842	
	Engine Oil Filter (2013 & on)	115-8189	
	Air Filter Element (2012 & Older)	108-3811	
	Air Filter Element (2013 & on)	108-3810	
	In-Line Gas Fuel Filter	115-7854	
	Gas Fuel Filter (2013 & on)	115-7818	
	Hydraulic Oil Filter	54-0110	
	<b>Workman HDX-D</b>	400 Hour Maintenance Kit	30068**
		Engine Oil Filter	108-3842
Air Filter Element		108-3811	
Diesel Fuel Filter Element - Separator		110-9049	
Hydraulic Oil Filter Element		54-0110	
<b>Workman HDX-Auto</b>	400 Hour Maintenance Kit	131-8276	
	Engine Oil Filter	108-3847	
	Fuel Filter Element	115-7818	
	In-Line Fuel Filter	115-7854	
	Air Filter Element	108-3811	
<b>Workman HDX-Auto</b>	400 Hour Maintenance Kit	136-6280**	
	Air Filter	108-3811	
	Spark Plug	130-8380	
	Fuel Filter	56-6360	
	Air Filter Element	108-3811	
	Air Filter Element	108-3811	

**QUICK REFERENCE GUIDE**  
**FILTERS**

Equipment	Description	Part Number
<b>Multi Pro*</b>		
<b>Multi Pro 1100</b>	Engine Oil Filter	12 050 01
	Air Filter	47 083 03-S
	Gas Fuel Filter	24 050 02-S
<b>Multi Pro 1200 1250 1750</b>	MVP Kit Filter/ Screen Suction (MP 1750)	131-3751**
	Engine Oil Filter	108-3847
	Air Filter Element - Main	47 083 03-S
	Air Filter Element - Wrapper	24 083 02-S
	In-Line Gas Fuel Filter	24 050 02-S
<b>Multi Pro 5200</b>	Hydraulic Oil Filter Element	54-0110
	Engine Oil Filter Call Local Toro Distributor	
	Air Filter Element	106-4904
<b>Multi Pro 5200</b>	In-Line Gas Fuel Filter	108-3854
	Engine Oil Filter	108-3817
	Air Filter Element	106-4904
	Air Filter Element - Cab	92-3814
	In-Line Gas Fuel Filter	108-3854
<b>Multi Pro 5500</b>	In-Line Hydraulic Oil Filter	86-3010
	Engine Oil Filter	108-3817
	Air Filter Element	106-4904
	In-Line Gas Fuel Filter	108-3854
<b>Multi Pro 5600</b>	In-Line Hydraulic Oil Filter	86-3010
	Engine Oil Filter	108-3841
	Air Filter Element	108-3810
<b>Multi Pro 5700D</b>	In-Line Plastic Diesel Fuel Filter	98-7612
	In-Line Metal Diesel Fuel Filter	108-3828
	Diesel Fuel Filter Element (2004-2007)	98-9764
	Diesel Fuel Filter Element (2008 & on)	110-9049
	In-Line Bio-Diesel Fuel Filter Kit	112-7836
	Bio-Diesel Element Kit	110-9015
	In-Line Hydraulic Oil Filter	86-3010
	Engine Oil Filter	108-3841
Air Filter Element	108-3810	
<b>Multi Pro 5800</b>	Diesel Fuel Filter Element	110-9049
	Separator Filter Assembly	110-9044
	50 Blue Suction Hydraulic Oil Filter	100-8642
	Hydraulic Oil Filter Element AT Pump	75-1310
	Gasoline Fuel Filter Element	125-2902
	Oil Filter	93-2242
	Engine Oil Filter	108-3841
	Air Filter Element	108-3810
	Diesel Fuel Filter Element	110-9049
	Separator Filter Assembly	110-9044

# QUICK REFERENCE GUIDE FILTERS

Equipment	Description	Part Number
<b>Specialty Turf Equipment</b>		
<b>Sand Pro</b>	Air Filter Element	108-3808
	In-Line Gas Fuel Filter	108-3831
	Hydraulic Oil Filter Element	23-9740
<b>Sand Pro 2000 3000</b>	Air Filter Element - Main	45 083 02
	Air Filter Element - Wrapper	45 083 01
	Air Filter Element - Remote	108-3808
	In-Line Gas Fuel Filter	108-3831
	Hydraulic Oil Filter Element	23-9740
<b>Sand Pro 2020 3020 5020</b>	Engine Oil Filter	107-7817
	Air Filter Element - Main	92-0527
	Air Filter Element - Wrapper	272490S
	Air Filter Element - Remote	108-3811
	In-Line Gas Fuel Filter	94-2690
	Hydraulic Oil Filter Element	23-9740
<b>Sand Pro 5000</b>	Engine Oil Filter	107-7817
	Air Filter Element - Main	92-0527
	Air Filter Element - Wrapper	272490S
	Air Filter Element - Remote (1992–1994)	108-3808
	Air Filter Element - Remote (1995 & on)	108-3811
	In-Line Gas Fuel Filter	94-2690
	Hydraulic Oil Filter Element	23-9740
<b>Sand Pro 2020 3020 5020</b>	400 Hour Maintenance Kit	30035 **
	MVP Kit 1,000 Hour (2019 & on)	44957 **
	Engine Oil Filter	107-7817
	Air Filter Element - Remote	108-3811
	In-Line Gas Fuel Filter	94-2690
	Hydraulic Oil Filter Element	54-0110
<b>Sand Pro 2040Z</b>	400 Hour Filter Maintenance Kit	08725 **
	Filter Element	114-3494
	Inner Filter Kit	127-0381
	Oil Filter	119-5852
	Air Filter	108-3811
	In-Line Fuel Filter	115-7854
<b>Trailer Sprayer 50T 80T</b>	50 Nozzle Water Filter	99-0853
<b>Trailer Sprayer 300T</b>	30 Green Suction Water Filter	100-6991
	50 Blue Suction Water Filter	100-8642
	80 Red Suction Water Filter	100-6992
	Pressure Water Filter	100-6756

Equipment	Description	Part Number
<b>Rake-O-Vac 66"</b>	Engine Oil Filter	12 050 01
	Engine Oil Filter Breather Element	24 050 01
	Air Filter Element - Main	47 083 03
	Air Filter Element - Remote	108-3808
	In-Line Gas Fuel Filter	25 050 03
<b>Turf Sweeper 4800</b>	Engine Oil Filter	108-3847
	Engine Oil Filter (2001 & on)	52 050 02-S
	Air Filter Element - Main (2001 & on)	47 083 03
	Air Filter Element - Wrapper (2001 & on)	24 083 02-S
	In-Line Gas Fuel Filter	108-3854
	Hydraulic Oil Filter Element (1992–1995)	01-317-0240
	Hydraulic Oil Filter Element (1997 & on)	23-9740
	<b>Top Dresser</b>	Diesel Fuel Filter Element (2500)
<b>ProForce Debris Blower 800</b>	Engine Oil Filter	108-3847
	Air Filter Element - Main	24 083 03
	Air Filter Element - Wrapper	24 083 05
	In-Line Gas Fuel Filter	108-3854
<b>Line Painter 1200</b>	400 Hour Filter Kit	30036 **
	Engine Oil Filter	108-3842
	Air Filter Element - Main	108-2604
	Air Filter Element - Foam	108-2603
	Hydraulic Oil Filter Element (1992–1995)	01-317-0240
<b>ProCore Processor</b>	Engine Oil Filter	842921
	Air Filter Element	108-3810
	Gas Fuel Filter	695666
	Engine Oil Filter	107-7817
<b>ProLine H800 (PLH800)</b>	Air Filter Element - Inner	134-0576
	Air Filter Element - Inner	134-3961
	Hydraulic Filter	134-1368
	Air Filter	134-0575
	Air Filter	134-3959
	Fuel Filter	134-1524
	Fuel Filter	134-1997
	Engine Oil Filter	134-1208
	Hydraulic Tank Filter	134-3123
	Fuel Filter Assembly	134-1447
Pre-Filter Air	134-0567	

---



---



---



---



---



---



---



---



---



---



---



---



---



---



---



---



---



---



---



---



---

**QUICK REFERENCE GUIDE**  
**BLADES**

Equipment	Description	Part Number
<b>Groundsmaster*</b>		
<b>Groundsmaster Series Decks 52 62 200</b>	Standard Blade	52"/132.1 cm SD & RD Deck (18"/45.7 cm Blade) 27-0990-03
	High Sail Blade	52"/132.1 cm SD & RD Deck (18"/45.7 cm Blade) 44-5480
	Atomic Blade	52"/132.1 cm SD & RD Deck (18"/45.7 cm Blade) 104-1301
	Atomic Blade Service Pack	52"/132.1 cm SD & RD Deck (6 #104-1301 Blades) 108-1477
	Standard Blade	62"/157.5 cm Guardian (21.75"/55.2 cm Blade) 92-5608-03
	Standard Blade	62"/157.5 cm SD & RD Deck (21.75"/55.2 cm Blade) 44-6250-03
	High Sail Blade	62"/157.5 cm SD & RD Deck (21.75"/55.2 cm Blade) 77-6710-03
	Atomic Blade	62"/157.5 cm SD & RD Deck (21.75"/55.2 cm Blade) 104-1303
	Atomic Blade Service Pack	62"/157.5 cm SD & RD Deck (6 #104-1303 Blades) 106-0631
	Standard Blade	72"/182.9 cm SD & RD Deck (24.75"/62.9 cm Blade) 94-1861-03
	High Sail Blade	72"/182.9 cm SD & RD Deck (24.75"/62.9 cm Blade) 104-4569-03
	Atomic Blade	72"/182.9 cm SD & RD Deck (24.75"/62.9 cm Blade) 104-1304
	Atomic Blade Service Pack	72"/182.9 cm SD & RD Deck (6 #104-1304 Blades) 108-1478
	<b>Groundsmaster Series Decks 72 300</b>	Standard Blade
Standard Blade		72"/182.9 cm SD & RD Deck (25"/63.5 cm Blade) 29-5530-03
High Sail Blade		72"/182.9 cm SD & RD Deck (25"/63.5 cm Blade) 23-2410-03
Atomic Blade		72"/182.9 cm SD & RD Deck (25"/63.5 cm Blade) 106-4353-03
Atomic Blade Service Pack		72"/182.9 cm SD & RD Deck (6 #106-4354 Blades) 108-1454
<b>Groundsmaster 455D</b>	Standard Blade	88"/223.5 cm Triflex Deck (19"/48.3 cm Blade) 63-0080-03
	Standard Blade	126"/320.0 cm Quadfloat Deck (19"/48.3 cm Blade) 86-0010-03
	Atomic Blade	126"/320.0 cm Quadfloat Deck (19"/48.3 cm Blade) 107-0216-03
<b>Groundsmaster 580D</b>	Atomic Blade Service Pack	126"/320.0 cm Quadfloat Deck (7 #107-0216-03 Blades) 108-1452
	Standard Blade	Center & Wing Decks (20"/50.8 cm Blade) 69-6920-03
	Atomic Blade	Center & Wing Decks (20"/50.8 cm Blade) 107-0217-03
<b>Groundsmaster 1200</b>	Atomic Blade Service Pack	Center & Wing Decks (11 #107-0217-03 Blades) 108-1453
	Standard Blade	19"/48.3 cm 138-9029
	Medium Sail Blade	19"/48.3 cm 137-3659-03
<b>Groundsmaster 3000</b>	High Sail Blade	19"/48.3 cm 138-9028
	High Sail Blade	19"/48.3 cm 137-3671-03
	Atomic Blade	19"/48.3 cm 139-7799-03
	Atomic Blade Service Pack	19"/48.3 cm 140-0028
	Standard Blade	72"/182.9 cm Guardian (25"/63.5 cm Blade) 85-6040-03
<b>Groundsmaster 3000</b>	Standard Blade	72"/182.9 cm RD Deck (25"/63.5 cm Blade) 93-4982
	Standard Blade	82"/208.3 cm Contour Deck (22"/55.9 cm Blade) 93-8409

**QUICK REFERENCE GUIDE**  
**BLADES**

Equipment	Description	Part Number	
<b>Groundsmaster 3280D 3320</b>	Standard Blade	52"/132.1 cm SD & RD Deck (18"/45.7 cm Blade) 27-0990-03	
	High Sail Blade	52"/132.1 cm SD & RD Deck (18"/45.7 cm Blade) 44-5480	
	Atomic Blade	52"/132.1 cm SD & RD Deck (18"/45.7 cm Blade) 104-1301	
	Atomic Blade Service Pack	52"/132.1 cm SD & RD Deck (6 #104-1301 Blades) 108-1477	
	Medium Sail Blade	60"/152.4 cm SD Deck (20.5"/52 cm Blade) 110-4701	
	High Sail Blade	60"/152.4 cm SD Deck (20.5"/52 cm Blade) 110-4702-03	
	Atomic Blade	60"/152.4 cm SD Deck (20.5"/52 cm Blade) 110-4703-03	
	Standard Blade	62"/157.5 cm RD & Guardian Deck (21.75"/55.2 cm Blade) 92-5608-03	
	Atomic Blade	62"/157.5 cm RD (21.75"/55.2 cm Blade) 107-0214-03	
	Standard Blade	72"/182.9 cm RD & Guardian Deck (25"/62.2 cm Blade) 121-5347-03	
	Medium Sail Blade	72"/182.9 cm SD Deck (24.5"/62.2 cm Blade) 110-0621-03	
	High Sail Blade	72"/182.9 cm SD Deck (24.5"/62.2 cm Blade) 110-0622-03	
	Atomic Blade	72"/182.9 cm RD & SD Deck (24.5"/62.2 cm Blade) 110-0624-03	
	<b>Groundsmaster 3500D 3505D</b>	Standard Blade	27"/68.6 cm Deck (27"/68.6 cm Blade) (2000-2005) 105-9810-03
High Sail Blade		27"/68.6 cm Deck (27"/68.6 cm Blade) (2000-2005) 104-5183	
Combination Blade		27"/68.6 cm Deck (27"/68.6 cm Blade) (2006 & on) 108-9026	
Atomic Blade		27"/68.6 cm Deck (27"/68.6 cm Blade) (2006 & on) 107-0235-03	
<b>Groundsmaster 360</b>	Atomic Blade Service Pack	27"/68.6 cm Deck (6 #107-0235-03 Blades) 108-1462	
	Atomic Blade	72"/182.9 cm SD & Guardian Deck (24.5"/62.2 cm Blade) 110-0624-03	
	Medium Sail Blade	72"/182.9 cm SD & Guardian Deck (24.5"/62.2 cm Blade) 110-0622-03	
<b>Groundsmaster 360</b>	High Sail Blade	100"/254 cm Deck (19"/48.3 cm Blade) 132-1319	
	Standard Blade	132"/335.3 cm Deck (21.75"/55.2 cm Blade) 92-5608-03	
	STD Blade Service Pack	132"/335.3 cm Deck (7 #92-5608-03 Blades) 117-2722	
<b>Groundsmaster 4000D</b>	Flat Sail Blade	132"/335.3 cm Deck (21.75"/55.2 cm Blade) 110-6115-03	
	Flat Sail Blade Service Pack	132"/335.3 cm Deck (7 #110-6115-03 Blades) 110-6130	
	Medium Sail Blade	132"/335.3 cm Deck (21.75"/55.2 cm Blade) 136-4370-03	
	Medium Sail Blade Service Pack	132"/335.3 cm Deck (7 #136-4370-03 Blades) 137-5500	
	Atomic Blade	132"/335.3 cm Deck (21.75"/55.2 cm Blade) 107-0214-03	
	Atomic Blade Service Pack	132"/335.3 cm Deck (7 #107-1214-03 Blades) 108-1450	
	<b>Groundsmaster 4100D</b>	Standard Blade	124"/315.0 cm Deck (19"/48.3 cm Blade) 106-7166-03
Flat Sail Blade		124"/315.0 cm Deck (19"/48.3 cm Blade) 110-6116-03	
Flat Sail Blade Service Pack		124"/315.0 cm Deck (7 #110-6116-03 Blades) 110-6140	
Atomic Blade		124"/315.0 cm Deck (19"/48.3 cm Blade) 107-0215-03	
Atomic Blade Service Pack		124"/315.0 cm Deck (7 #107-1215-03 Blades) 108-1451	
Medium Sail Blade Service Pack		132"/335.3 cm Deck (7 #136-4370-03 Blades) 137-5500	
Atomic Blade		132"/335.3 cm Deck (21.75"/55.2 cm Blade) 107-0214-03	
Atomic Blade Service Pack		132"/335.3 cm Deck (7 #107-1214-03 Blades) 108-1450	
<b>Groundsmaster 4300D</b>		Combination Blade	Contour Plus 22" Deck (22"/55.9 cm Blade) 108-7395-03
		Combo Blade Service Pack	5 of 108-7395-03 119-6957
	High Sail Blade	Contour Plus 22" Deck (22"/55.9 cm Blade) 114-0434-03	
	Atomic Blade	Contour Plus 22" Deck (22"/55.9 cm Blade) 114-0435-03	
	Angle Sail Blade	Contour Plus 22" Deck (22"/55.9 cm Blade) 117-0209-03	

## QUICK REFERENCE GUIDE

### BLADES

Equipment	Description	Part Number	
<b>Groundsmaster 4500D</b>	Standard Blade	27"/68.6 cm Deck (27"/68.6 cm Blade) (2002–2005)	105-9810-03
	High Sail Blade	27"/68.6 cm Deck (27"/68.6 cm Blade) (2002–2005)	104-5183
	Combination Blade	27"/68.6 cm Deck (27"/68.6 cm Blade) (2006 & on)	108-9026
	Atomic Blade	27"/68.6 cm Deck (27"/68.6 cm Blade) (2006 & on)	107-0235-03
	Atomic Blade Service Pack	27"/68.6 cm Deck (5 #107-0235-03 Blades)	108-1463
<b>Groundsmaster 4700D</b>	Standard Blade	27"/68.6 cm Deck (27"/68.6 cm Blade) (2002–2005)	105-9810-03
	High Sail Blade	27"/68.6 cm Deck (27"/68.6 cm Blade) (2002–2005)	104-5183
	Combination Blade	27"/68.6 cm Deck (27"/68.6 cm Blade) (2006 & on)	108-9026
	Atomic Blade	27"/68.6 cm Deck (27"/68.6 cm Blade) (2006 & on)	107-0235-03
	Atomic Blade Service Pack	27"/68.6 cm Deck (7 #107-0235-03 Blades)	108-1464
<b>Groundsmaster 5900 5910</b>	Standard Blade	Center & Wing Decks (20"/50.8 cm Blade) Tier3	110-5946-03
	STD Blade Service Pack	Center & Wing Decks (11 #110-5946-03 Blades) Tier3	115-8896
	Atomic Blade	Center & Wing Decks (20"/50.8 cm Blade) Tier3	110-5948-03
	Atomic Blade Service Pack	Center & Wing Decks (11 #110-5948-03 Blades) Tier3	114-0897
	Standard Blade	Center & Wing Decks (20"/50.8 cm Blade) Tier4	130-9151-03
	Atomic Blade	Center & Wing Decks (20"/50.8 cm Blade) Tier4	132-1390-03
	Atomic Blade Service Pack	Center & Wing Decks (11 #132-1390-03) Tier4	132-1391
	Standard Blade Service Pack	Center & Wing Decks (11 #130-9151-03 Blades) Tier 4	132-1392
<b>Groundsmaster 7200 7210</b>	Standard Blade	62"/157.5 cm Guardian (21.75"/55.2 cm Blade)	92-5608-03
	Standard Blade	72"/182.9 cm Guardian (24.5"/62.2 cm Blade)	121-5347-03
	Medium Sail Blade	72"/182.9 cm SD Deck (24.5"/62.2 cm Blade)	110-0621-03
	High Sail Blade	72"/182.9 cm SD Deck (24.5"/62.2 cm Blade)	110-0622-03
	Atomic Blade	72"/182.9 cm SD Deck (24.5"/62.2 cm Blade)	110-0624-03
	Flat Sail Blade	72"/182.9 cm Guardian (24.5"/62.2 cm Blade)	112-9586-03
	High Sail Blade	100"/254 cm Deck (19"/48.3 cm Blade)	132-1319

**YOUR COST FOR COVERED PARTS & LABOR: \$0.00**

**Electronic Control Unit (ECU)**  
Estimated Repair Cost – **\$3,715**

**Tier IV Diesel Engine**  
Estimated Repair Cost – **\$10,250**

**Triple Gear Hydraulic Pump**  
Estimated Repair Cost – **\$1,135**

# TORO PROTECTION PLUS™

## EXTENDED PROTECTION PLAN

### Run Your Maintenance Budget at Peak Efficiency

The Toro Protection Plus™ (TPP) Extended Protection Plan eliminates the hit your maintenance budget can take when the unforeseen happens. Coverage is available for new equipment, pre-owned equipment, and most Toro attachments and accessories. Just choose the plan that fits your needs.

\$0 deductible for parts & labor on covered repairs | Remaining coverage is transferrable if ownership changes

**TORO**

Learn More: 800-803-8676 | [toro.com/tpp](https://toro.com/tpp)



**Blades Reference Chart - Groundsmaster®**

GM Unit	Cutting Deck	Deck Model	Blade Length	Combo	Angle Sail	Medium Flow	High Flow	Atomic® Mulching	Flat	Standard
1200	54" RD (137 cm) 3x decks		19" (48.3 cm)			137-3659-03	137-3671-03	139-7799-03		137-3671-03
			Service Pack			138-9029	138-9028	140-0028		138-9029
3200 / 3300	60" SD (152 cm)	31970	20.5 (52 cm)			110-4701	110-4702-03	110-4703-03		110-4702-03
	60" RD (152 cm)	31971	20.5 (52 cm)			110-4701	110-4702-03	110-4703-03		110-4701
	72" SD (183 cm)	31972	24.5 (62 cm)			110-0621-03	110-0622-03	110-0624-03		110-0622-03
	72" RD (183 cm)	31973	24.5 (62 cm)			110-0621-03	110-0622-03	110-0624-03		110-0621-03
3280-D	52" SD (132 cm)	30555	18" (46 cm)				44-5480	104-1301		27-0990-03
	Service Pack						108-1477			
	60" SD (152 cm)	30366	20.5" (52 cm)				110-4702-03	110-4703-03		110-4701
	62" RD & Guardian (157 cm)	30403	21.75" (55 cm)					107-0214-03		92-5608-03
	72" SD (183 cm)	31336	24.5" (62 cm)			110-0621-03	110-0622-03	110-0624-03		
	72" RD & Guardian (183 cm)	31335 30303	25.18" (64 cm)							121-5347-03
360	60" SD (152 cm)	30456	20.5" (52 cm)			110-4701	110-4702-03	110-4703-03		110-4701
	62" Guardian (157 cm)	30457	21.75" (55.2 cm)					107-0214-03	110-6115-03	92-5608-03
	72" SD (183 cm)	30481	24.5" (62 cm)			110-0621-03	110-0622-03	110-0624-03		110-0621-03
	72" RD & Guardian (183 cm)	30353	25.18" (64 cm)	125-9444-03					112-9586-03	121-5347-03
	100" RD (254 cm)	31101	19" (48.3 cm)	106-7166-03			132-1319			
Service Pack					132-1325					
			25.18" (64 cm)	125-9444-03						

08/03/2022



**High Sail/Flow**  
 • Provides best quality of cut in most grass conditions.  
 • Provides better air flow.

**Angled Sail Blade**  
 • Performs best in lower heights of cut 1.9 - 6.4 cm (3/4 - 2.5 in.)  
 • Less tendency to throw grass and discharge remains more even at lower heights of cut.



**Atomic blade**  
 • Provides the best quality of cut while mulching.  
 • Preferred blade for mulching applications.

For more information, contact your local Toro distributor at 800-803-8676.

GM Unit	Cutting Deck	Deck Model	Blade Length	Combo	Angle Sail	Medium Flow	High Flow	Atomic® Mulching	Flat	Standard
3500-D 3500-G 3505-D	27" RD (69 cm)	30834	27" (68.6 cm)	108-9026	105-9810-03		104-5183	107-0235-03		
			Service Pack				108-1462			
4000-D 4010-D	Center & Wing Decks		21.75" (55.2 cm)			136-4370-03		107-0214-03	110-6115-03	92-5608-03
			Service Pack			137-5500	108-1450	110-6130	117-2722	
4100-D 4110-D	Center & Wing Decks		19" (48.3 cm)	106-7166-03				107-0215-03	110-6116-03	
			Service Pack	130-2660			108-1451	110-6140		
4300-D	22" RD (55.9 cm)	30845	22" (55.9 cm)	108-7395-03	117-0209-03		114-0434-03	114-0435-03		
			Service Pack	119-6957						
4500-D	27" RD (69 cm)	30834	27" (69 cm)	108-9026	105-9810-03		104-5183	107-0235-03		
			Service Pack				108-1463			
4700-D	27" RD (69 cm)	30834	27" (69 cm)	108-9026	105-9810-03		104-5183	107-0235-03		
			Service Pack				108-1464			
T3 5900 T3 5910	3 RD Decks		20" (50.8 cm)	110-5946-03				110-5948-03		
			Service Pack	115-8896			114-0897			
T4 5900 T4 5910	3 RD Decks		20" (50.8 cm)					132-1390-03		130-9151-03
			Service Pack				132-1391		132-1392	
7200 / 7210	60" SD (152 cm)	30456	20.5" (52 cm)			110-4701	110-4702-03	110-4703-03		110-4701
	62" RD & Guardian (157 cm)	60457	21.75" (55.2 cm)					107-0214-03	110-6115-03	92-5608-03
	72" SD (183 cm)	30481	24.5" (62 cm)			110-0621-03	110-0622-03	110-0624-03		110-0621-03
	72" RD & Guardian (183 cm)	30353	25.18" (64 cm)	125-9444-03					112-9586-03	121-5347-03
	100" RD (254 cm)	31101	19" (48.3 cm)	106-7166-03			132-1319			
Service Pack					132-1325					
			25.18" (64 cm)	125-9444-03						

08/03/2022



**Medium Sail/Flow**  
 • Provides better quality of cut.  
 • Better overall performance in most conditions.

**Combination Sail Blade**  
 • Provides excellent lift and dispersion.  
 • Standard blade on all Groundsmaster® Contour mowers.



**Flat Blade**  
 • Low noise level.  
 • Lower power consumption.  
 • Reduced discharge velocity of clippings.

For more information, contact your local Toro distributor at 800-803-8676.

**Bedknives Reference Chart - Fairway**

Reelmaster Unit	Description	HOC Range	No. of Holes	Lip Height**	Standard	EdgeMax™	Top Angle	Front Angle
<b>3550</b> <b>EdgeSeries™ Cutting Units</b> <b>DPA Cutting Units</b>	18" (457 mm) Low Cut	1/4" - 1/2" (6.4 mm - 12.7 mm)	6	.220" (5.59 mm)	121-3167	137-6090 Insert	10°	5°
	18" (457 mm) Fairway Cut	3/8" and up (9.5 mm and up)	6	.270" (6.90 mm)	121-3166	137-6091 Insert	10°	5°
	22" (559 mm) Low Cut	1/4" - 1/2" (6.4 mm - 12.7 mm)	8	.220" (5.59 mm)	110-4084	137-6093 Insert	10°	5°
	22" (559 mm) Fairway Cut	3/8" and up (9.5 mm and up)	8	.270" (6.90 mm)	108-9096	137-6094 Insert	10°	5°
<b>3555 / 3575</b> <b>5010-H</b> <b>5210</b> <b>5410</b> <b>5510</b> <b>5610</b> <b>6500</b> <b>6700</b> <b>EdgeSeries Cutting Units</b> <b>DPA Cutting Units</b>	22" (559 mm) Low Cut	1/4" - 1/2" (6.4 mm - 12.7 mm)	8	.220" (5.59 mm)	110-4084	137-6093 Insert	10°	5°
	22" (559 mm) Low Cut Extended	1/4" - 1/2" (6.4 mm - 12.7 mm)	8	.220" (5.59 mm)	120-1640	119-4280 Solid	10°	10°
	22" (559 mm) Fairway Cut	3/8" and up (9.5 mm and up)	8	.270" (6.90 mm)	108-9096	137-6094 Insert	10°	5°
	22" (559 mm) Fairway Cut - Heavy Duty	1/2" and up (12.7 mm and up)	8	.370" (9.4 mm)	110-4074		10°	5°
<b>3100</b> <b>7000</b> <b>EdgeSeries Cutting Units</b> <b>DPA Cutting Units</b>	27" (686 mm) Fairway Cut	3/8" and up (9.5 mm and up)	10	.270" (6.90 mm)	114-9388	137-6095 Insert	10°	5°
	27" (686 mm) Low Cut Extended	1/4" - 1/2" (6.4 mm - 12.7 mm)	10	.220" (5.59 mm)	120-1641		10°	10°
	27" (686 mm) Fairway Cut - Heavy Duty	1/2" and up (12.7 mm and up)	10	.370" (9.4 mm)	114-9390		10°	5°
	32" (813 mm) Fairway Cut	3/8" and up (9.5 mm and up)	12	.270" (6.90 mm)	114-9389		10°	5°
	32" (813 mm) Low Cut Extended	1/4" - 1/2" (6.4 mm - 12.7 mm)	12	.220" (5.59 mm)	120-1642		10°	10°
	32" (813 mm) Fairway Cut - Heavy Duty	1/2" and up (12.7 mm and up)	12	.370" (9.4 mm)	114-9391		10°	5°
<b>5</b> <b>7</b> <b>11</b> <b>TDM (Turf Driven Mower)</b> <b>SPA Cutting Units</b>	31" (787 mm) 11 Blade Reel	3/8" and up (9.5 mm and up)	11	.280" (7.11 mm)	47-6680		10°	30°
	31" (787 mm) 5 & 7 Blade Reel	1/2" and up (12.7 mm and up)	11	.380" (9.65 mm)	49-7660		10°	30°
<b>5200</b> <b>5300</b> <b>5400</b> <b>4-Bolt Cutting Units</b>	21" (533 mm) Fairway Cut	3/8" and up (9.5 mm and up)	7	.270" (6.90 mm)	137-6097	137-6092 Insert	10°	10° & 5°
	21" (533 mm) Fairway Cut - Heavy Duty	1/2" and up (12.7 mm and up)	7	.345" (8.76 mm)	100-3350		10°	10°

08/03/2022

\*\*Service limit (worn out condition) for all Fairway Bedknives is when the bedknife lip height is 0.190" (4.8 mm). For more information, contact your local Toro distributor at 800-803-8676.

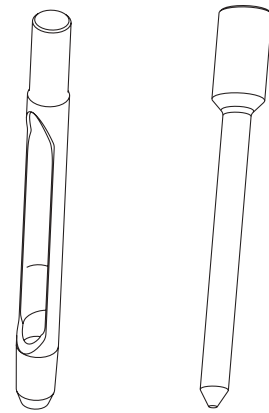
**Bedknives Reference Chart - Greens**

Greensmaster Unit	Description	HOC Range	No. of Holes	Standard	EdgeMax™	Min. Top Angle	Front Angle
<b>800 Integral Cutting Unit</b> <b>Flex 18</b> <b>Flex &amp; eFlex 1800 / 1820</b> <b>GR 1018</b>	18" (457 mm) Low Cut	3/16" - 1" (4.8 mm - 25.4 mm)	11	110-2301		3°	13° + 4° - 0°
	18" (457 mm) Micro Cut	1/16" - 3/16" (1.6 mm - 4.8 mm)	11	98-7261	117-1530 Solid	3°	13° + 4° - 0°
	18" (457 mm) Micro Cut Extended*	1/16" - 3/16" (1.6 mm - 4.8 mm)	11	110-2300		7°	13° + 4° - 0°
	18" (457 mm) Micro Cut Short**	1/16" - 1" (1.6 mm - 25.4 mm)	11		139-4318 Solid	3°	13° + 4° - 0°
	18" (457 mm) Tournament Cut	1/8" - 1/2" (3.2 mm - 12.7 mm)	11	98-7260	117-1532 Solid	3°	13° + 4° - 0°
	18" (457 mm) Tournament Short**	1/8" - 1" (3.2 mm - 25.4 mm)	11		139-4319 Solid	3°	13° + 4° - 0°
<b>1000 / 1010 / 2000 Integral Cutting Unit</b> <b>Flex 21</b> <b>Flex 21 &amp; eFlex 2100 / 2120</b> <b>GR 1021</b> <b>3000 / 3100 / 3200 / 3300 / 3400</b>	21" (533 mm) Low Cut	3/16" - 1" (4.8 mm - 25.4 mm)	13	93-4264		3°	13° + 4° - 0°
	21" (533 mm) Micro Cut	1/16" - 3/16" (1.6 mm - 4.8 mm)	13	93-4262	115-1880 Solid	3°	13° + 4° - 0°
	21" (533 mm) Micro Cut Extended*	1/16" - 3/16" (1.6 mm - 4.8 mm)	13	108-4303		7°	13° + 4° - 0°
	21" (533 mm) Micro Cut Short**	1/16" - 1" (1.6 mm - 25.4 mm)	13		139-4320 Solid	3°	13° + 4° - 0°
	21" (533 mm) Tournament Cut	1/8" - 1/2" (3.2 mm - 12.7 mm)	13	93-4263	115-1881 Solid	3°	13° + 4° - 0°
	21" (533 mm) Tournament Cut Extended*	1/8" - 1/2" (3.2 mm - 12.7 mm)	13	108-4302		7°	13° + 4° - 0°
	21" (533 mm) Tournament Cut Short**	1/8" - 1" (3.2 mm - 25.4 mm)	13		139-4321 Solid	3°	13° + 4° - 0°
	21" (533 mm) High Cut	5/16" - 1" (7.9 mm - 25.4 mm)	13	94-6392		3°	13° + 4° - 0°
	21" (533 mm) Fairway Cut	3/8" - 1" (9.5 mm - 25.4 mm)	7	137-6097	137-6092 Insert	10°	13° + 4° - 0°
		26" (660 mm) Low Cut	3/16" - 1" (4.8 mm - 25.4 mm)	16	93-9015		3°
<b>1600 / 1610 / 2600 Integral Cutting Unit</b> <b>GR 1026</b>	26" (660 mm) Micro Cut	1/16" - 3/16" (1.6 mm - 4.8 mm)	16	112-9275	139-4324 Solid	3°	13° + 4° - 0°
	26" (660 mm) Micro Cut Short**	1/16" - 1" (1.6 mm - 25.4 mm)	16		139-4322 Solid	3°	13° + 4° - 0°
	26" (660 mm) Tournament Cut	1/8" - 1/2" (3.2 mm - 12.7 mm)	16	94-5885	117-1548 Solid	3°	13° + 4° - 0°
	26" (660 mm) Tournament Short**	1/8" - 1" (3.2 mm - 25.4 mm)	16		139-4323 Solid	3°	13° + 4° - 0°
	26" (660 mm) High Cut	5/16" - 1" (7.9 mm - 25.4 mm)	16	104-2646		3°	13° + 4° - 0°
	26" (660 mm) Fairway Cut	3/8" - 1" (9.5 mm - 25.4 mm)	16	107-8181		3°	13° + 4° - 0°

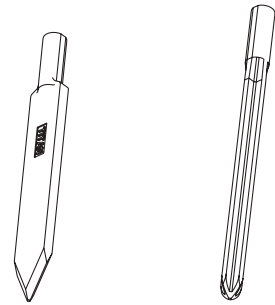
08/03/2022

\*If you experience scalping with the aggressive bedbar, switch to the extended bedknives.  
\*\*For aggressive and / or higher height of cut applications.  
For more information, contact your local Toro distributor at 800-803-8676.





**Quad**                      **Solid Round**



**Solid Slicing**                      **Solid Cross**

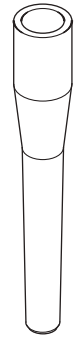
Ref. No.	Part No.	Description	Quantity
<b>Procore® 440 / 660 / 880 Tines – 3/8" Mount</b>			
<b>Quad</b>	108-9104	Titan Quad, 3/8" Mount (4.50" x .36", .25")	A/R
	108-9104	Titan Quad, 3/8" Mount (4.50" x .36", .25")	A/R
	108-9112	Titan Quad Max, 3/8" Mount (4.50" x .36", .25")	A/R
	108-9105	Titan Quad, 3/8" Mount (4.50" x .46", .32")	A/R
	108-9114	Titan Quad Max, 3/8" Mount (4.50" x .46", .32")	A/R
	108-9106	Titan Quad, 3/8" Mount (4.50" x .55", .41")	A/R
	108-9116	Titan Quad Max, 3/8" Mount (4.50" x .58", .38")	A/R
	108-9293	Titan Quad, 3/8" Mount (4.50" x .58", .48")	A/R
	108-9108	Order 138-5937	A/R
	138-5937	Titan Quad, 3/8" Mount (5.00" x .36", .25")	A/R
	108-9120	Titan Quad Max, 3/8" Mount (5.00" x .38", .23")	A/R
	108-9109	Order 137-6526	A/R
	137-6526	Titan Quad, 3/8" Mount (5.00" x .46", .32")	A/R
	108-9122	Titan Quad Max, 3/8" Moun (5.00" x .48", .28")	A/R
	108-9110	Order 137-6527	A/R
	137-6527	Titan Quad, 3/8" Mount (5.00" x .55", .41")	A/R
	108-9124	Titan Quad Max, 3/8" Mount (5.00" x .58", .38")	A/R
	108-9294	Order 137-6529	A/R
	137-6529	Titan Quad, 3/8" Mount (5.00" x .58", .48")	A/R
	108-9290	Titan Quad, 3/8" Mount (5.50" x .55", .41")	A/R
<b>Solid Round</b>	108-9230	Titan Solid Round, 3/8" Mount (4.50" x .20")	A/R
	108-9231	Titan Solid Round, 3/8" Mount (4.50" x .25")	A/R
	108-9232	Titan Solid Round, 3/8" Mount (4.50" x .30")	A/R
	108-9233	Titan Solid Round, 3/8" Mount (4.50" x .38")	A/R
	108-9234	Titan Solid Round, 3/8" Mount (5.50" x .20")	A/R
	108-9235	Titan Solid Round, 3/8" Mount (5.50" x .25")	A/R
	108-9236	Titan Solid Round, 3/8" Mount (5.50" x .30")	A/R
	108-9237	Titan Solid Round, 3/8" Mount (5.50" x .38")	A/R

Ref. No.	Part No.	Description	Quantity	
<b>Solid Slicing</b>	108-9238	Titan Solid Slicing, 3/8" Mount (5.00" x .63")	A/R	
	108-9215	Titan Cross, 3/8" Mount (4.50" x .38")	A/R	
<b>Solid Cross</b>	108-9216	Titan Cross, 3/8" Mount (4.50" x .50")	A/R	
	112-1310	Titan Cross Max, 3/8" Mount (4.50" x .50")	A/R	
	108-9217	Titan Cross, 3/8" Mount (4.50" x .62")	A/R	
	108-9218	Titan Cross, 3/8" Mount (5.50" x .38")	A/R	
	108-9219	Titan Cross, 3/8" Mount (5.50" x .50")	A/R	
	112-1311	Titan Cross Max, 3/8" Mount (5.50" x .50")	A/R	
	108-9220	Titan Cross, 3/8" Mount (5.50" x .62")	A/R	
	<b>Procore® 440 / 660 / 880 Tines – 3/4" Mount</b>			
	<b>Hollow</b>	108-9128	Titan Hollow, 3/4" Mount (4.75" x .46", .28")	A/R
		108-9139	Titan Hollow Max, 3/4" Mount (4.75" x .46", .28")	A/R
108-9129		Titan Hollow, 3/4" Mount (4.75" x .56", .41")	A/R	
108-9141		Titan Hollow Max, 3/4" Mount (4.75" x .56", .38")	A/R	
108-9130		Titan Hollow, 3/4" Mount (4.75" x .66", .53")	A/R	
108-9143		Titan Hollow Max, 3/4" Mount (4.75" x .66", .48")	A/R	
108-9132		Titan Hollow, 3/4" Mount (5.75" x .46", .28")	A/R	
108-9133		Titan Hollow, 3/4" Mount (5.75" x .56", .41")	A/R	
108-9147		Titan Hollow Max, 3/4" Mount (5.75" x .56", .38")	A/R	
108-9134		Titan Hollow, 3/4" Mount (5.75" x .66", .53")	A/R	
108-9149	Titan Hollow Max, 3/4" Mount (5.75" x .66", .48")	A/R		
114-0551	Titan Hollow Ext. Taper, 3/4" Mount (5.75" x .66", .53")	A/R		
114-0553	Titan Hollow Ext. Taper Max, 3/4" Mount (5.75" x .68", .47")	A/R		
66-9140	Classic Hollow, 3/4" Mount (4.75" x .50", .40")	A/R		
59-3670	Classic Hollow, 3/4" Mount (4.75" x .63", .50")	A/R		
104-0984	Classic Hollow, 3/4" Mount (5.75" x .63", .51")	A/R		

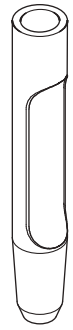
Ref. No.	Part No.	Description	Quantity
<b>Side Eject</b>	108-9159	Titan Side-Eject, 3/4" Mount (4.75" x .46", .28")	A/R
	108-9170	Titan Side Eject Max, 3/4" Mount (4.75" x .46", .28")	A/R
	108-9160	Titan Side Eject, 3/4" Mount (4.75" x .56", .41")	A/R
	108-9172	Titan Side Eject Max, 3/4" Mount (4.75" x .56", .38")	A/R
	108-9161	Titan Side Eject, 3/4" Mount (4.75" x .66", .53")	A/R
	108-9174	Titan Side Eject Max, 3/4" Mount (4.75" x .66", .48")	A/R
	108-9163	Titan Side Eject, 3/4" Mount (5.75" x .46", .28")	A/R
	108-9176	Titan Side Eject Max, 3/4" Mount (5.75" x .46", .28")	A/R
	108-9164	Titan Side Eject, 3/4" Mount (5.75" x .56", .41")	A/R
	108-9178	Titan Side Eject Max, 3/4" Mount (5.75" x .56", .38")	A/R
108-9165	Titan Side Eject, 3/4" Mount (5.75" x .66", .53")	A/R	
108-9180	Titan Side Eject Max, 3/4" Mount (5.75" x .66", .48")	A/R	
114-0555	Titan Side Eject Ext. Taper, 3/4" Mount (5.75" x .66", .53")	A/R	
114-0557	Titan Side Eject Ext. Taper Max, 3/4" Mount (5.75" x .66", .47")	A/R	
108-9260	HD Fairway, 3/4" Mount (5.75" x .77", .51")	A/R	
108-9261	HD Fairway, 3/4" Mount (5.75" x .88", .51")	A/R	
104-9876	Fairway, 3/4" Mount (5.75" x .77", .51")	A/R	
104-9875	Fairway, 3/4" Mount (5.75" x .88", .51")	A/R	

Ref. No.	Part No.	Description	Quantity
<b>Solid Round</b>	108-9198	Titan Solid Round, 3/4" Mount (4.50" x .25")	A/R
	108-9199	Titan Solid Round, 3/4" Mount (4.50" x .30")	A/R
	108-9200	Titan Solid Round, 3/4" Mount (4.50" x .35")	A/R
	108-9201	Titan Solid Round, 3/4" Mount (4.50" x .40")	A/R
	108-9202	Titan Solid Round, 3/4" Mount (4.50" x .50")	A/R
	108-9203	Titan Solid Round, 3/4" Mount (4.50" x .60")	A/R
	108-9204	Titan Solid Round, 3/4" Mount (5.50" x .25")	A/R
	108-9205	Titan Solid Round, 3/4" Mount (5.50" x .30")	A/R
	108-9206	Titan Solid Round, 3/4" Mount (5.50" x .35")	A/R
	108-9207	Titan Solid Round, 3/4" Mount (5.50" x .40")	A/R
108-9208	Titan Solid Round, 3/4" Mount (5.50" x .50")	A/R	
108-9209	Titan Solid Round, 3/4" Mount (5.50" x .60")	A/R	
108-9244	Titan Solid Round, 3/4" Mount (5.50" x .75")	A/R	
<b>Solid Slicing</b>	108-9239	Titan Solid Slicing, 3/4" Mount (4.50" x .75")	A/R
	108-9240	Titan Solid Slicing, 3/4" Mount (5.50" x .75")	A/R
<b>Solid Cross</b>	108-9221	Titan Cross, 3/4" Mount (4.50" x .50")	A/R
	108-9223	Titan Cross, 3/4" Mount (4.50" x .75")	A/R
	108-9224	Titan Cross, 3/4" Mount (5.50" x .50")	A/R
	112-1313	Titan Cross Max, 3/4" Mount (5.50" x .50")	A/R
	108-9226	Titan Cross, 3/4" Mount (5.50" x .75")	A/R

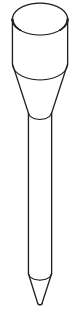
**QUICK REFERENCE GUIDE**  
TINES



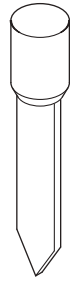
**Hollow**



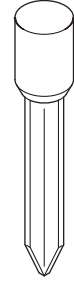
**Side Eject**



**Solid Round**



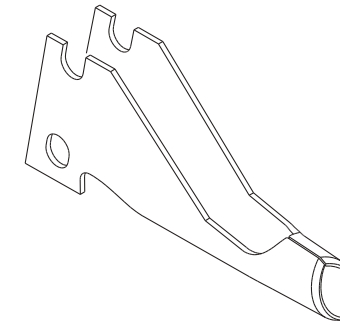
**Solid Slicing**



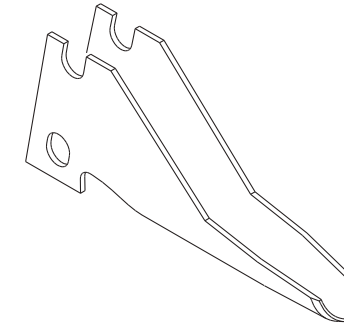
**Solid Cross**



**Solid Needle**



**Closed Spoon**



**Open Spoon**

Ref. No.	Part No.	Description	Quantity
----------	----------	-------------	----------

**Procore® 440 / 660 / 880 Tines – 7/8" & Needle Mount**

<b>Hollow</b>	108-9190	Titan Hollow, 7/8" Mount (4.75" x .66", .51")	A/R	
	108-9191	Titan Hollow, 7/8" Mount (4.75" x .76", .63")	A/R	
	108-9192	Titan Hollow, 7/8" Mount (5.75" x .66", .51")	A/R	
	108-9193	Titan Hollow, 7/8" Mount (5.75" x .76", .63")	A/R	
	62-4600	Classic Hollow, 7/8" Mount (4.75" x .75", .60")	A/R	
	86-9720	Classic Hollow, 7/8" Mount (5.75" x .75", .60")	A/R	
	<b>Side Eject</b>	108-9194	Titan Side Eject, 7/8" Mount (4.75" x .66", .51")	A/R
		108-9195	Titan Side Eject, 7/8" Mount (4.75" x .76", .63")	A/R
108-9196		Titan Side Eject, 7/8" Mount (5.75" x .66", .51")	A/R	
108-9188		Titan Side Eject Max, 7/8" Mount (5.75" x .66", .48")	A/R	
108-9197		Titan Side Eject, 7/8" Mount (5.75" x .76", .63")	A/R	
108-9264		Titan HD Fairway, 7/8" Mount (5.75" x .88", .64")	A/R	
108-9265		Titan HD Fairway, 7/8" Mount (5.75" x 1.0", .64")	A/R	
92-7900		Fairway, 7/8" Mount (5.75" x .88", .64")	A/R	
104-9877	Fairway, 7/8" Mount (5.75" x 1.0", .64")	A/R		

Ref. No.	Part No.	Description	Quantity
----------	----------	-------------	----------

<b>Side Round</b>	108-9246	Titan Solid Round, 7/8" Mount (5.50" x .75")	A/R
	108-9247	Titan Solid Round, 7/8" Mount (5.50" x .88")	A/R
<b>Solid Slicing</b>	108-9242	Titan Solid Slicing, 7/8" Mount (5.50" x .75")	A/R
<b>Solid Cross</b>	108-9259	Titan Cross, 7/8" Mount (5.50" x .88")	A/R
	100-3620*	Titan Solid Needle 3/16" x 6.43"	A/R
<b>Solid Needle</b>	100-3621*	Titan Solid Needle 5/16" x 7.38"	A/R

Ref. No.	Part No.	Description	Quantity
----------	----------	-------------	----------

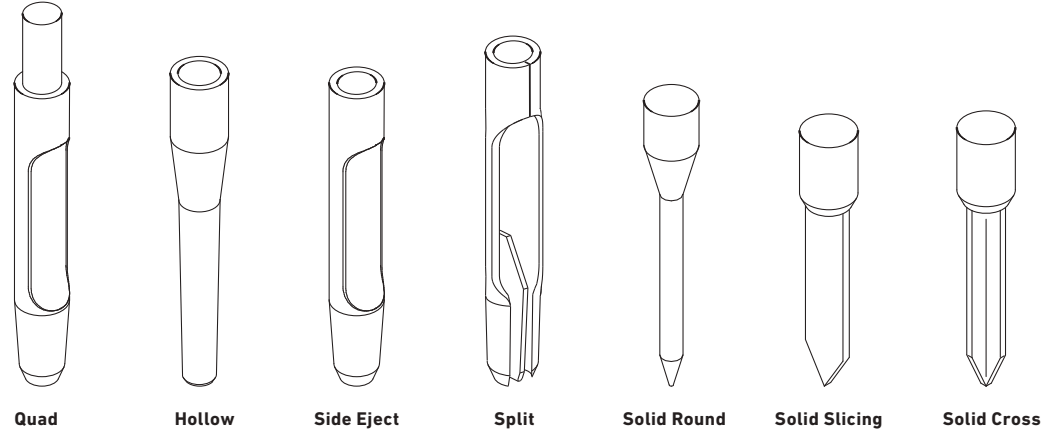
**Turf Aerator 686 / 687 Tines**

<b>Closed Spoon</b>	01-283-0050	Order 108-9297	A/R
	108-9297	1/2" Spoon Tine Closed (686/687)	A/R
	01-283-0060	Order 108-9299	A/R
	108-9299	3/4" Spoon Tine Closed (686/687)	A/R
	62-4600	Classic Hollow, 7/8" Mount (4.75" x .75", .60")	A/R
	86-9720	Classic Hollow, 7/8" Mount (5.75" x .75", .60")	A/R

Ref. No.	Part No.	Description	Quantity
----------	----------	-------------	----------

<b>Open Spoon</b>	01-283-0070	Order 108-9296	A/R
	108-9296	1/2" Spoon Tine Open (686/687)	A/R
	01-283-0080	Order 108-9298	A/R
	108-9298	3/4" Spoon Tine Open (686/687)	A/R
•	01-283-0030	4" Slicing Blade (686/687)	
•	01-283-0040	Slicing Blade (686/687)	

**QUICK REFERENCE GUIDE**  
TINES



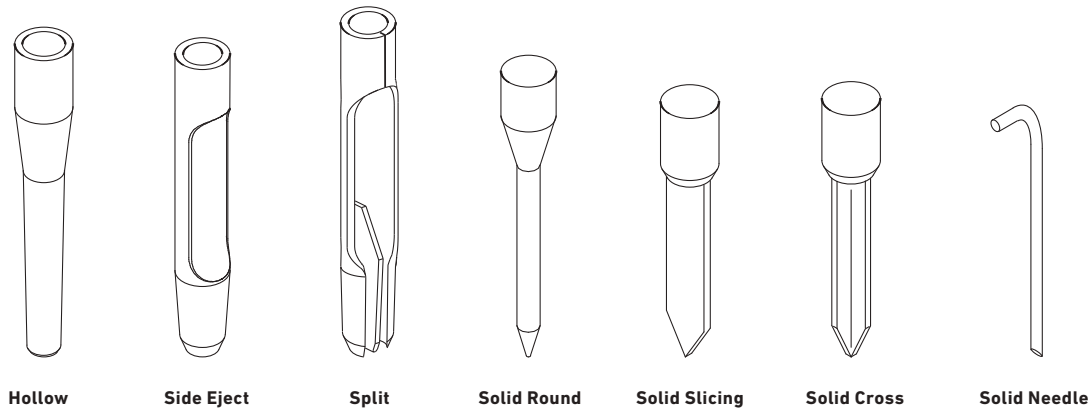
**QUICK REFERENCE GUIDE**

Ref. No.	Part No.	Description	Quantity
<b>Procore® 440 / 660 / 880 Tines – 7/8" &amp; Needle Mount</b>			
*	108-3847	Filter-Engine, Oil (Procore 648)	1
1	107-9531	Hydraulic Filter Element (648)	1
2	105-0989	Multi-Row V-Belt - Primary Drive (648)	A/R
2	105-0991	Multi-Row V-Belt - Secondary Drive (648)	A/R
2	110-4327	Multi-Row V-Belt - Secondary Drive (864/1298)	A/R
3	106-8871	Bearing - Ball (648)	A/R
3	110-4556	Bearing - Ball (864/1298)	A/R
4	105-0965	Bearing - Ball (648)	A/R
4	110-4555	Bearing - Ball (864/1298)	A/R
5	106-8871	Bearing - Ball (864/1298)	A/R
6	251-259	Bearing - Ball (Neutral Arm- 648)	2
7	110-4635	Cross & Bearing Kit (Shielded Driveshaft - 864/1298)	2
7	110-4641	Cross & Bearing Kit (STD Driveshaft - 864/1298)	2
8	108-2132**	Coring Head Bearing MVP Kit (648 - 2004-2007)	A/R
	131-4876**	Coring Head Bearing MVP Kit (648 - 2008 & on)	A/R
10	325-7	Screw - Hex HD	A/R
11	3296-19	Nut - Lock	A/R
12	140-6159	Head - Needle Tine	A/R
13	108-6849-03	Clamp - Needle Tine Head	A/R

Ref. No.	Part No.	Description	Quantity
14	110-4365	Order 120-1047	
14	120-1047	Turf Guard - Needle/2 x 5 Mini Tines Short (All)	A/R
14	110-4366	Order 120-1052	A/R
	120-1052	Turf Guard - Needle/2 x 5 Mini Tines Long (648/1298)	A/R
	120-1060	Turf Guard - Needle/2 x 5 Mini Tines RH (864)	A/R
14	120-1062	Turf Guard - Needle/2 x 5 Mini Tines LH (864)	A/R
15	325-5	Screw - Hex HD	A/R
16	105-1184	Mini Tine Head Assembly - 2 x 5	A/R
17	108-6809	Mini Tine Head Assembly - 1 x 6	6
18	110-4369	Order 120-1050	4
	120-1050	Turf Guard - 1 x 6 Mini Tines Short (1298)	
18	110-4370	Order 120-1053	2
	120-1053	Turf Guard - 1 x 6 Mini Tines Long (1298)	
	115-2801	Order 120-1063	
18	120-1063	Turf Guard - 1 x 6 Mini Tines RH (864)	1
18	120-1064	Turf Guard - 1 x 6 Mini Tines LH (864)	1
19	323-8	Screw - Hex HD	A/R
20	105-1032-03	Clamp - 4-Tine Head 3/4"	A/R
21	105-1045-0P	Head - 4-Tine 3/4"	A/R
22	110-4361	Order 120-1045	A/R
22	120-1045	Turf Guard - 4-Tine Head Short (648/864/1298)	A/R
22	110-4362	Order 120-1046	A/R
22	120-1046	Turf Guard - 4-Tine Head Long (648/1298)	A/R
22	110-4363	Order 120-1059	A/R
	120-1059	Turf Guard - 4-Tine Head RH (864)	A/R
22	120-1060	Turf Guard - 4-Tine Head LH (864)	A/R

Ref. No.	Part No.	Description	Quantity
23	105-1036-0P	Head - 3-Tine 3/4"	A/R
23	108-2122-03	Order 110-4692-0P	A/R
23	110-4692-0P	Head - 3-Tine 7/8"	A/R
24	105-1038-03	Clamp - 3-Tine Head 3/4"	A/R
24	108-2124-03	Clamp - 3-Tine Head 7/8"	A/R
25	110-4357	Order 120-1044	
25	120-1044	Turf Guard - 3-Tine Head Short (648/864/1298)	A/R
25	105-1107	Order 120-1051	A/R
	120-1051	Turf Guard - 3-Tine Head Long (648 2004 & on)	
25	110-4358	Order 120-1051	A/R
25	110-4359	Order 120-1057	A/R
	120-1057	Turf Guard - 3-Tine Head RH (864)	A/R
25	110-4360	Order 120-1058	A/R
	120-1058	Turf Guard - 3-Tine Head LH (864)	A/R
26	131-4888	Sleeve - Quick Change Tine (3/4")	A/R
26	108-6838	Order 131-4889	A/R
	131-4889	Insert-Sleeve, 7/8"	A/R
27	114-0590-01	Tool - Quick Change Tine	1
28	110-4444	Rear Roller Assembly (648)	1
28	110-4252-03	Rear Roller Assembly (864/1298)	1
*	137-1653	Arm-Idler	1
*	114-4665	Tire ASM	3
*	114-4643	Wheel (Procore 648)	1
*	104-8331	End- Rod, Spherical	2
*	105-3249	Damper	1

Ref. No.	Part No.	Description	Quantity
*	115-3488	Spring- Torsion	1
*	321-10	Screw- HH	4
*	32121-110	Pin- Roll, Slotted	2
*	32144-4	Screw- HWH	10
*	3234-42	Screw- HHF	1
*	325-12	Screw- HH	9
*	325-13	Screw- HH	4
*	3256-28	Washer- Flat	1
*	3296-45	Nut- Lock, NI	1
*	3296-51	Nut- Lock, NI	1
*	74-1810	Washer	1
*	99-3624	Shaft- Pivot, Idler	1
*	104-8162	Battery - Dry (648)	1
*	32128-37	Nut - HF (648)	2
*	256-304	Washer - Thrust (1298)	4
*	3243-1	Screw - Set	2

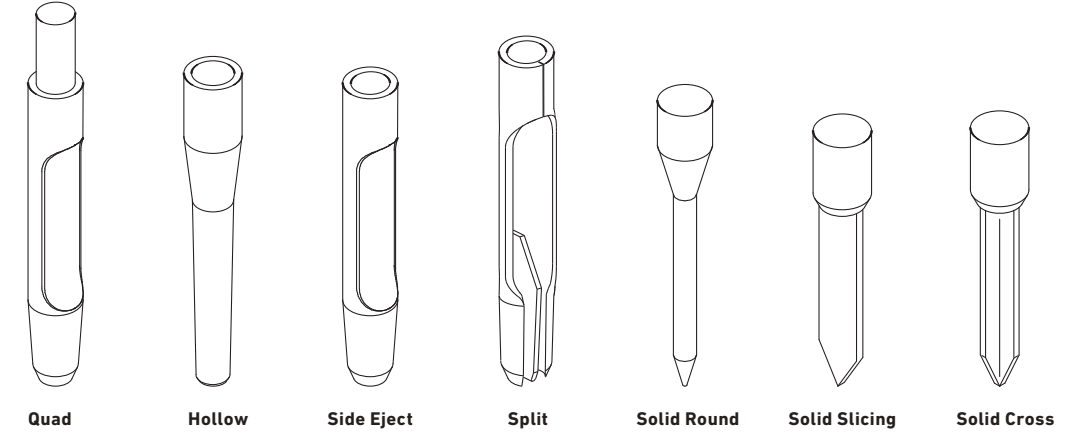
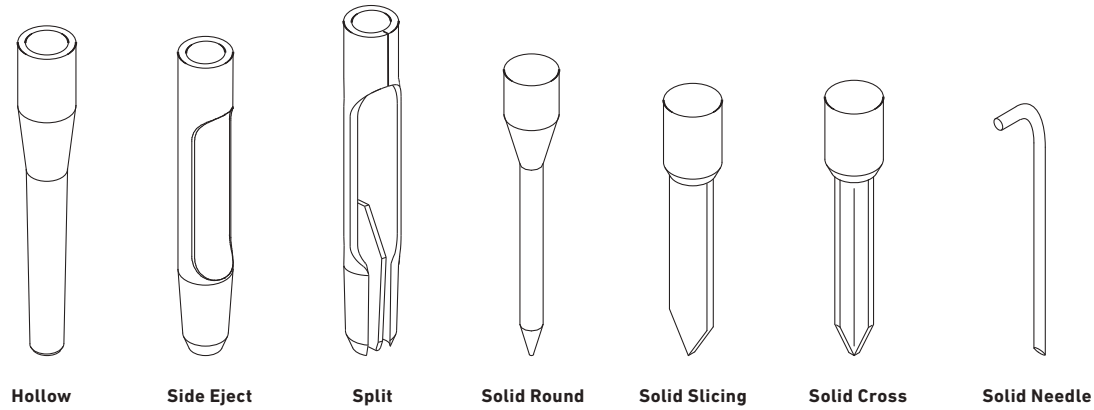


Ref. No.	Part No.	Description	Quantity	
<b>Procore® 648 / 864 / 1298 Tines – 3/4" Mount</b>				
<b>Quad</b>	108-9104	Titan Quad, 3/8" Mount (4.50" x .36", .25")	A/R	
	108-9112	Titan Quad Max, 3/8" Mount (4.50" x .36", .25")	A/R	
	108-9105	Titan Quad, 3/8" Mount (4.50" x .46", .32")	A/R	
	108-9114	Titan Quad Max, 3/8" Mount (4.50" x .46", .32")	A/R	
	108-9106	Titan Quad, 3/8" Mount (4.50" x .55", .41")	A/R	
	108-9116	Titan Quad Max, 3/8" Mount (4.50" x .58", .38")	A/R	
	108-9293	Titan Quad, 3/8" Mount (4.50" x .58", .48")	A/R	
	108-9108	Order 138-5937	A/R	
	138-5937	Titan Quad, 3/8" Mount (5.00" x .36", .25")		
	108-9120	Titan Quad Max, 3/8" Mount (5.00" x .38", .23")	A/R	
	108-9109	Order 137-6526	A/R	
	137-6526	Titan Quad, 3/8" Mount (5.00" x .46", .32")		
	108-9122	Titan Quad Max, 3/8" Mount (5.00" x .48", .28")	A/R	
	108-9110	Order 137-6527	A/R	
	137-6527	Titan Quad, 3/8" Mount (5.00" x .55", .41")		
	108-9124	Titan Quad Max, 3/8" Mount (5.00" x .58", .38")	A/R	
	108-9294	Order 137-6529	A/R	
	137-6529	Titan Quad, 3/8" Mount (5.00" x .58", .48")		
	108-9290	Titan Quad, 3/8" Mount (5.50" x .55", .41")	A/R	
	<b>Solid Round</b>	108-9230	Titan Solid Round, 3/8" Mount (4.50" x .20")	A/R
108-9231		Titan Solid Round, 3/8" Mount (4.50" x .25")	A/R	
108-9232		Titan Solid Round, 3/8" Mount (4.50" x .30")	A/R	
108-9233		Titan Solid Round, 3/8" Mount (4.50" x .38")	A/R	
108-9234		Titan Solid Round, 3/8" Mount (5.50" x .20")	A/R	
108-9235		Titan Solid Round, 3/8" Mount (5.50" x .25")	A/R	
108-9236		Titan Solid Round, 3/8" Mount (5.50" x .30")	A/R	
108-9237		Titan Solid Round, 3/8" Mount (5.50" x .38")	A/R	
<b>Solid Slicing</b>	108-9238	Titan Solid Slicing, 3/8" Mount (5.00" x .63")	A/R	
<b>Solid Cross</b>	108-9215	Titan Cross, 3/8" Mount (4.50" x .38")	A/R	
	108-9216	Titan Cross, 3/8" Mount (4.50" x .50")	A/R	

Ref. No.	Part No.	Description	Quantity	
	112-1310	Titan Cross Max, 3/8" Mount (4.50" x .50")	A/R	
	108-9217	Titan Cross, 3/8" Mount (4.50" x .62")	A/R	
	108-9218	Titan Cross, 3/8" Mount (5.50" x .38")	A/R	
	108-9219	Titan Cross, 3/8" Mount (5.50" x .50")	A/R	
	112-1311	Titan Cross Max, 3/8" Mount (5.50" x .50")	A/R	
	108-9220	Titan Cross, 3/8" Mount (5.50" x .62")	A/R	
<b>Hollow</b>	108-9128	Titan Hollow, 3/4" Mount (4.75" x .46", .28")	A/R	
	108-9139	Titan Hollow Max, 3/4" Mount (4.75" x .46", .28")	A/R	
	108-9129	Titan Hollow, 3/4" Mount (4.75" x .56", .41")	A/R	
	108-9141	Titan Hollow Max, 3/4" Mount (4.75" x .56", .38")	A/R	
	108-9130	Titan Hollow, 3/4" Mount (4.75" x .66", .53")	A/R	
	108-9143	Titan Hollow Max, 3/4" Mount (4.75" x .66", .48")	A/R	
	108-9132	Titan Hollow, 3/4" Mount (5.75" x .46", .28")	A/R	
	108-9133	Titan Hollow, 3/4" Mount (5.75" x .56", .41")	A/R	
	108-9147	Titan Hollow Max, 3/4" Mount (5.75" x .56", .38")	A/R	
	108-9134	Titan Hollow, 3/4" Mount (5.75" x .66", .53")	A/R	
	108-9149	Titan Hollow Max, 3/4" Mount (5.75" x .66", .48")	A/R	
	108-9138	Titan Hollow, 3/4" Mount (6.50" x .46", .28")	A/R	
	108-9135	Titan Hollow Max, 3/4" Mount (6.50" x .46", .28")	A/R	
	108-9136	Titan Hollow, 3/4" Mount (6.50" x .56", .41")	A/R	
	108-9151	Titan Hollow Max, 3/4" Mount (6.50" x .56", .38")	A/R	
	108-9137	Titan Hollow, 3/4" Mount (6.50" x .66", .53")	A/R	
	108-9153	Titan Hollow Max, 3/4" Mount (6.50" x .66", .48")	A/R	
	114-0551	Titan Hollow Ext. Taper, 3/4" Mount (5.75" x .66", .53")	A/R	
	114-0553	Titan Hollow Ext. Taper Max, 3/4" Mount (5.75" x .68", .47")	A/R	
	114-0550	Titan Hollow Ext. Taper, 3/4" Mount (6.50" x .66", .53")	A/R	
66-9140	Classic Hollow, 3/4" Mount (4.75" x .50", .40")	A/R		
59-3670	Classic Hollow, 3/4" Mount (4.75" x .63", .50")	A/R		
104-0984	Classic Hollow, 3/4" Mount (5.75" x .63", .51")	A/R		
105-1180	Classic Hollow, 3/4" Mount (6.50" x .66", .39")	A/R		

Ref. No.	Part No.	Description	Quantity	
<b>Side Eject</b>	108-9159	Titan Side Eject, 3/4" Mount (4.75" x .46", .28")	A/R	
	108-9170	Titan Side Eject Max, 3/4" Mount (4.75" x .46", .28")	A/R	
	108-9160	Titan Side Eject, 3/4" Mount (4.75" x .56", .41")	A/R	
	108-9172	Titan Side Eject Max, 3/4" Mount (4.75" x .56", .38")	A/R	
	108-9161	Titan Side Eject, 3/4" Mount (4.75" x .66", .53")	A/R	
	108-9174	Titan Side Eject Max, 3/4" Mount (4.75" x .66", .48")	A/R	
	108-9163	Titan Side Eject, 3/4" Mount (5.75" x .46", .28")	A/R	
	108-9176	Titan Side Eject Max, 3/4" Mount (5.75" x .46", .28")	A/R	
	108-9164	Titan Side Eject, 3/4" Mount (5.75" x .56", .41")	A/R	
	108-9178	Titan Side Eject Max, 3/4" Mount (5.75" x .56", .38")	A/R	
	108-9165	Titan Side Eject, 3/4" Mount (5.75" x .66", .53")	A/R	
	108-9180	Titan Side Eject Max, 3/4" Mount (5.75" x .66", .48")	A/R	
	108-9162	Titan Side Eject, 3/4" Mount (6.50" x .46", .28")	A/R	
	108-9166	Titan Side Eject Max, 3/4" Mount (6.50" x .46", .28")	A/R	
	108-9167	Titan Side Eject, 3/4" Mount (6.50" x .56", .41")	A/R	
	108-9182	Titan Side Eject Max, 3/4" Mount (6.50" x .56", .38")	A/R	
	108-9168	Titan Side Eject, 3/4" Mount (6.50" x .66", .53")	A/R	
	108-9184	Titan Side Eject Max, 3/4" Mount (6.50" x .66", .48")	A/R	
	114-0555	Titan Side Eject Ext. Taper, 3/4" Mount (5.75" x .66", .53")	A/R	
	114-0557	Titan Side Eject Ext. Taper Max, 3/4" Mount (5.75" x .66", .47")	A/R	
114-0558	Titan Side Eject Ext. Taper, 3/4" Mount (6.50" x .66", .53")	A/R		
114-0560	Titan Side Eject Ext. Taper Max, 3/4" Mount (6.50" x .66", .47")	A/R		
108-9260	HD Fairway, 3/4" Mount (5.75" x .77", .51")	A/R		
108-9261	HD Fairway, 3/4" Mount (5.75" x .88", .51")	A/R		
104-9876	Fairway, 3/4" Mount (5.75" x .77", .51")	A/R		
104-9875	Fairway, 3/4" Mount (5.75" x .88", .51")	A/R		

Ref. No.	Part No.	Description	Quantity	
<b>Hollow</b>	112-5122	Titan Split, 3/4" Mount (5.75" x .88", .51")	A/R	
	77-5320	Titan Solid Round, 3/4" Mount (3.25" x .313")	A/R	
<b>Solid Round</b>	108-9198	Titan Solid Round, 3/4" Mount (4.50" x .25")	A/R	
	108-9199	Titan Solid Round, 3/4" Mount (4.50" x .30")	A/R	
	108-9200	Titan Solid Round, 3/4" Mount (4.50" x .35")	A/R	
	108-9201	Titan Solid Round, 3/4" Mount (4.50" x .40")	A/R	
	108-9202	Titan Solid Round, 3/4" Mount (4.50" x .50")	A/R	
	108-9203	Titan Solid Round, 3/4" Mount (4.50" x .60")	A/R	
	108-9204	Titan Solid Round, 3/4" Mount (5.50" x .25")	A/R	
	108-9205	Titan Solid Round, 3/4" Mount (5.50" x .30")	A/R	
	108-9206	Titan Solid Round, 3/4" Mount (5.50" x .35")	A/R	
	108-9207	Titan Solid Round, 3/4" Mount (5.50" x .40")	A/R	
	108-9208	Titan Solid Round, 3/4" Mount (5.50" x .50")	A/R	
	108-9209	Titan Solid Round, 3/4" Mount (5.50" x .60")	A/R	
	108-9244	Titan Solid Round, 3/4" Mount (5.50" x .75")	A/R	
	108-9210	Titan Solid Round, 3/4" Mount (6.50" x .30")	A/R	
	108-9211	Titan Solid Round, 3/4" Mount (6.50" x .35")	A/R	
	108-9212	Titan Solid Round, 3/4" Mount (6.50" x .40")	A/R	
	108-9213	Titan Solid Round, 3/4" Mount (6.50" x .50")	A/R	
	108-9214	Titan Solid Round, 3/4" Mount (6.50" x .60")	A/R	
	108-9245	Titan Solid Round, 3/4" Mount (6.50" x .75")	A/R	
	<b>Solid Slicing</b>	108-9239	Titan Solid Slicing, 3/4" Mount (4.50" x .75")	A/R
108-9240		Titan Solid Slicing, 3/4" Mount (5.50" x .75")	A/R	
108-9241		Titan Solid Slicing, 3/4" Mount (6.50" x .75")	A/R	
<b>Solid Cross</b>	108-9221	Titan Cross, 3/4" Mount (4.50" x .50")	A/R	
	108-9223	Titan Cross, 3/4" Mount (4.50" x .75")	A/R	
	108-9224	Titan Cross, 3/4" Mount (5.50" x .50")	A/R	
	112-1313	Titan Cross Max, 3/4" Mount (5.50" x .50")	A/R	
	108-9226	Titan Cross, 3/4" Mount (5.50" x .75")	A/R	
	108-9227	Titan Cross, 3/4" Mount (6.50" x .50")	A/R	
	112-1314	Titan Cross Max, 3/4" Mount (6.50" x .50")	A/R	
	108-9228	Titan Cross, 3/4" Mount (6.50" x .62")	A/R	
	108-9229	Titan Cross, 3/4" Mount (6.50" x .75")	A/R	



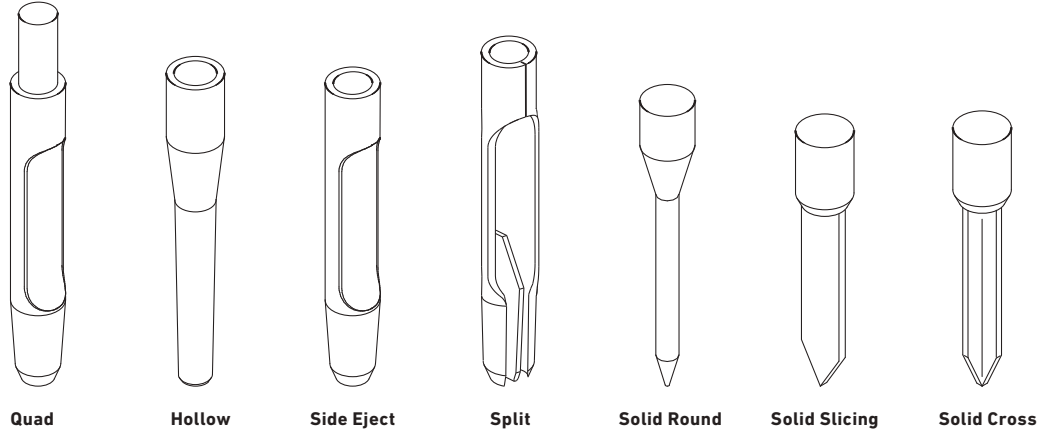
Ref. No.	Part No.	Description	Quantity
<b>Procore® 648/864/1298 Tines – 7/8" &amp; Needle Mount</b>			
<b>Hollow</b>	108-9190	Titan Hollow, 7/8" Mount (4.75" x .66", .51")	A/R
	108-9191	Titan Hollow, 7/8" Mount (4.75" x .76", .63")	A/R
	108-9192	Titan Hollow, 7/8" Mount (5.75" x .66", .51")	A/R
	108-9193	Titan Hollow, 7/8" Mount (5.75" x .76", .63")	A/R
	62-4600	Classic Hollow, 7/8" Mount (4.75" x .75", .60")	A/R
	86-9720	Classic Hollow, 7/8" Mount (5.75" x .75", .60")	A/R
	<b>Side Eject</b>	108-9194	Titan Side Eject, 7/8" Mount (4.75" x .66", .51")
108-9195		Titan Side Eject, 7/8" Mount (4.75" x .76", .63")	A/R
108-9196		Titan Side Eject, 7/8" Mount (5.75" x .66", .51")	A/R
108-9188		Titan Side Eject Max, 7/8" Mount (5.75" x .66", .48")	A/R
108-9197		Titan Side Eject, 7/8" Mount (5.75" x .76", .63")	A/R
108-9264		Titan HD Fairway, 7/8" Mount (5.75" x .88", .64")	A/R
108-9265		Titan HD Fairway, 7/8" Mount (5.75" x 1.0", .64")	A/R
92-7900		Fairway, 7/8" Mount (5.75" x .88", .64")	A/R
104-9877		Fairway, 7/8" Mount (5.75" x 1.0", .64")	A/R

Ref. No.	Part No.	Description	Quantity
<b>Split</b>	112-5121	Titan Split, 7/8" Mount (5.75" x .88", .64")	A/R
	112-5123	Titan Split, 3/4" Mount (5.75" x .92", .64")	A/R
<b>Solid Round</b>	108-9246	Titan Solid Round, 7/8" Mount (5.50" x .75")	A/R
	108-9247	Titan Solid Round, 7/8" Mount (5.50" x .88")	A/R
	108-9248	Titan Solid Round, 7/8" Mount (6.50" x .75")	A/R
	108-9249	Titan Solid Round, 7/8" Mount (6.50" x .88")	A/R
<b>Solid Slicing</b>	108-9242	Titan Solid Slicing, 7/8" Mount (5.50" x .75")	A/R
	108-9243	Titan Solid Slicing, 7/8" Mount (6.50" x .75")	A/R
<b>Solid Cross</b>	108-9259	Titan Cross, 7/8" Mount (5.50" x .88")	A/R
<b>Solid Needle</b>	108-9242	Titan Solid Slicing, 7/8" Mount (5.50" x .75")	A/R
	108-9243	Titan Solid Slicing, 7/8" Mount (6.50" x .75")	A/R
	100-3620*	Titan Solid Needle (6.43" x .188")	A/R
	100-3621*	Titan Solid Needle (7.38" x .313")	A/R

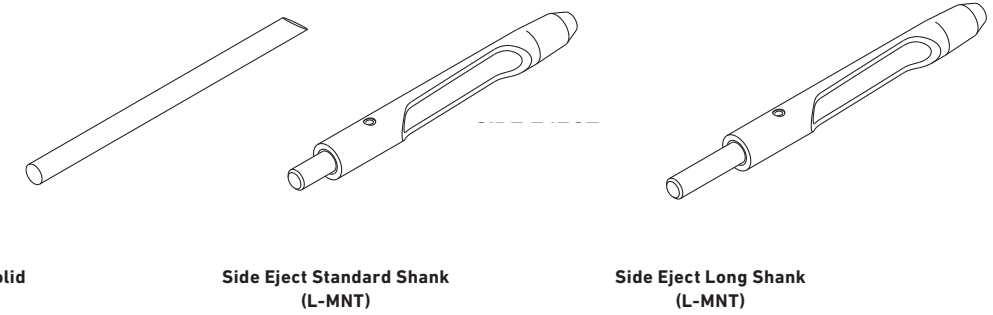
Ref. No.	Part No.	Description	Quantity
<b>Tines for Competitive models – 1/2" &amp; 5/8" Mount</b>			
<b>Quad</b>	112-1316	Titan Quad 1/2" (4.5" x .46", .32")	A/R
	112-1322	Titan Max Quad 1/2" (4.5" x .480")	A/R
<b>Solid Round</b>	112-1347	Titan Solid Round 1/2" (4.50" x .500")	A/R
	112-1329	Titan Solid Round 1/2" (5.50" x .250")	A/R
<b>Solid Slicing</b>	112-5102	Titan Solid Slicing 3/8" (5.00" x .625") (Incl 1/2" Sleeve)	A/R
	112-1300	Order 114-0583	
	114-0583	Sleeve - 1/2" (for 3/8" Tines)	A/R
<b>Quad</b>	112-1332	Titan Quad 5/8" (4.5" x .458")	A/R
<b>Side Eject</b>	112-1303	Titan Side Eject 5/8" (4.50" x .560")	A/R
<b>Side Round</b>	112-1348	Titan Solid Round 5/8" (4.50" x .625")	A/R
<b>Side Round</b>	112-1348	Titan Solid Round 5/8" (4.50" x .625")	A/R



**QUICK REFERENCE GUIDE**  
TINES



**QUICK REFERENCE GUIDE**  
TINES



Ref. No.	Part No.	Description	Quantity
<b>Procore® SR Series</b>			
1	117-7190	Adapter Head Kit - 10 5/16" Tines Per Head	A/R
1	117-7192	Adapter Head Kit - 8 3/8" Tines Per Head	A/R
2	117-7191	Adapter Head Kit - 10 12mm Tines Per Head	A/R
3	117-7193	Adapter Head Kit - 6 5/16" Or 6 3/8" Tines Per Head	A/R
4	117-7194	Adapter Head Kit - 2 18mm Tines Per Head	A/R
5	117-7195	Adapter Head Kit - 2 5/16" Or 2 12mm Tines Per Head	A/R
6	117-7196	Adapter Head Kit - 4 5/16" Or 4 3/8" Tines Per Head	A/R
7	117-7199	Adapter Head Kit - 8 3/8" Tines Per Head	A/R
8	117-7198	Adapter Head Kit - 4 12mm Or 3 18mm Tines Per Head	A/R
9	SGA10375	Adapter Sleeve - 5/16" Tine to 12mm Hole (MNT)	A/R
10	SGA08313	Adapter Sleeve - 5/16" Tine to 12mm Hole (L-MNT)	A/R
10	SGA12375	Adapter Sleeve - 3/8" Tine to 12mm Hole (L-MNT)	A/R
11	SG715802	Adapter Sleeve - 18mm Tine to 7/8" Hole (L-MNT)	A/R
12	SG148160	Wire & Spring Assembly (SR72)	12
13	SG481512	Spring - Compression (SR72)	12
14	SG482016	Leading Wire - Draw Bar (SR72)	24
14	SG482017	Trailing Wire - Draw Bar (SR72)	12
12	SG487054	Wire & Spring Assembly (SR54)	6
13	SG481512	Spring - Compression (SR54)	6
14	SG487255	Wire - Draw Bar (SR54)	18
12	SG148154	Spring & Wire Assembly (SR54-S)	12

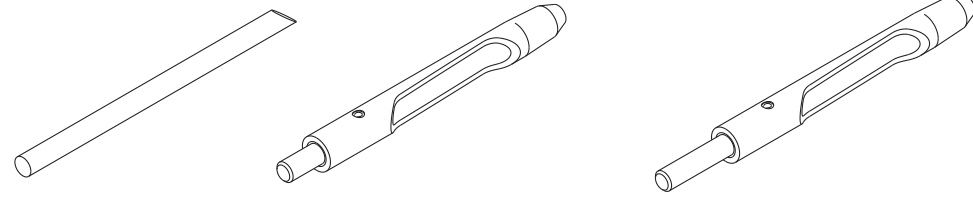
Ref. No.	Part No.	Description	Quantity
13	SG487257	Spring - Compression (SR54-S)	12
14	SG487256	Wire - Draw Bar (SR54-S)	36
13	SG481512	Spring - Compression (SR70)	8
14	SG487255	Wire - Draw Bar (SR70)	24
12	SG148154	Spring & Wire Assembly (SR70-S)	16
13	SG487257	Spring - Compression (SR70-S)	16
14	SG487256	Wire - Draw Bar (SR70-S)	48
12	SG148160	Wire & Spring Assembly (SR72)	12
13	SG481512	Spring - Compression (SR72)	12
14	SG482016	Leading Wire - Draw Bar (SR72)	24
14	SG482017	Trailing Wire - Draw Bar (SR72)	12
12	SG487278	Spring & Wire Assembly (SR75 HD)	12
13	SG487275	Spring - Compression (SR75 HD)	12
14	SG487277	Leading Wire - Draw Bar (SR75 HD)	24
14	SG487276	Trailing Wire - Draw Bar (SR75 HD)	12
	324-8	Screw- HH	4
	3296-51	Nut- Lock, Ni	2

Ref. No.	Part No.	Description	Quantity
<b>Procore® SR Series Tines</b>			
<b>Solid</b>	SGS07313	Tine - 5/16" x 8.50" (5/16" MNT)	
	SGS08313	Tine - 5/16" x 10" (5/16" MNT)	
	SGS08375	Tine - 3/8" x 9.00" (3/8" MNT)	
	SGS10374	Tine - 3/8" x 10.75" (3/8" MNT)	
	SGS10375	Tine - 3/8" x 12.25" (3/8" MNT)	
	SGS08500	Tine - 12mm x 8.00" (12mm MNT)	
	SGS10504	Tine - 12mm x 10.75" (12mm MNT)	
	SGS10500	Tine - 12mm x 12.25" (12mm MNT)	
	SGS12500	Tine - 12mm x 14.25" (12mm MNT)	
	SGS14500	Tine - 12mm x 16.25" (12mm MNT)	
	SGS10750	Tine - 18mm x 12.25" (18mm MNT)	
	SGS12750	Tine - 18mm x 14.25" (18mm MNT)	
	SGS14750	Tine - 18mm x 16.25" (18mm MNT)	
	SGS10875	Tine - 7/8" x 12.50" (18mm MNT)	
	SGS12875	Tine - 7/8" x 14.00" (18mm MNT)	
	SGS14875	Tine - 7/8" x 16.00" (18mm MNT)	
	SGS10876	Tine - 7/8" x 12.50" (7/8" MNT)	
	SGS12876	Tine - 7/8" x 14.00" (7/8" MNT)	
	SGS16100	Tine - 1" x 17.88" (7/8" MNT)	

Ref. No.	Part No.	Description	Quantity
<b>Side Eject Standard Shank</b>	139-8618	Tine Assembly - .500" x 5.5" (3/8" MNT)	
	SGT05550	Tube Assembly - .500" x 5.5"	
	139-8616	Tine Assembly - .687" x 7.0" (12mm MNT)	
	139-8625	Tine Assembly - .813" x 7.0" (12mm MNT)	
	SGT07750	Tube Assembly - .813" x 7.0"	
	139-8620	Tine Assembly - .750" x 10.0" (12mm MNT)	
	SGT10750	Tube Assembly - .750" x 10.0"	
	SGC08123	Tine Assembly - 1.31" x 8.0" (7/8" MNT)	
	SGT08125	Tube Assembly - 1.31" x 8.0"	
	SGC12123	Tine Assembly - 1.31" x 12.0" (7/8" MNT)	
	SGT12125	Tube Assembly - 1.31" x 12.0"	
<b>Side Eject Long Shank</b>	139-8614	Tine Assembly - .687" x 7.0" (12mm L-MNT)	
	SGC07750	Tine Assembly - .813" x 7.0" (12mm L-MNT)	
	SGT07750	Tube Assembly - .813" x 7.0"	
	SGC10755	Tine Assembly - .750" x 10.0" (12mm L-MNT)	
	SGT10750	Tube Assembly - .750" x 10.0"	
	139-8613	Tine Assembly - .810" x 10.0" (12mm L-MNT)	
	117-7020	Tube Assembly - .810" x 10.0"	
	139-8623	Tine Assembly - .750" x 10.0" (18mm L-MNT)	
	SGT10750	Tube Assembly - .750" x 10.0"	
	139-8628	Tine Assembly - 1.06" x 8.0" (18mm L-MNT)	
	117-7021	Tube Assembly - 1.06" x 8.0"	
	139-8617	Tine Assembly - 1.06" x 10.0" (18mm L-MNT)	
	139-8619	Tine Assembly - 1.00" x 10.0" (18mm L-MNT)	
	SGC08125	Tine Assembly - 1.31" x 8.0" (18mm L-MNT)	
	SGT08125	Tube Assembly - 1.31" x 8.0"	
	SGC12125	Tine Assembly - 1.31" x 12.0" (18mm L-MNT)	
	SGT12125	Tube Assembly - 1.31" x 12.0"	

**QUICK REFERENCE GUIDE**  
TINES

**QUICK REFERENCE GUIDE**  
TINES



**Solid**

**Side Eject Standard Shank  
(L-MNT)**

**Side Eject Long Shank  
(L-MNT)**

Ref. No.	Part No.	Description	SR48	SR54	SR54-S	SR70	SR70-S	SR72	SR75-HD
<b>English/International Aerators Procore SR Tines</b>									
<b>Solid</b>	SGS07313	Tine - 5/16" x 8.50" (5/16" MNT)	x	x	x	x	x	x	
	SGS08313	Tine - 5/16" x 10" (5/16" MNT)	x	x	x	x	x	x	
	SGS08375	Tine - 3/8" x 9.00" (3/8" MNT)	x	x		x		x	
	SGS10374	Tine - 3/8" x 10.75" (3/8" MNT)	x	x		x		x	
	SGS10375	Tine - 3/8" x 12.25" (3/8" MNT)	x			x		x	
	SGS08500	Tine - 12mm x 8.00" (12mm MNT)	x	x	x	x	x	x	
	SGS10504	Tine - 12mm x 10.75" (12mm MNT)	x	x	x		x	x	
	SGS10500	Tine - 12mm x 12.25" (12mm MNT)	x					x	
	SGS12500	Tine - 12mm x 14.25" (12mm MNT)	x					x	
	SGS14500	Tine - 12mm x 16.25" (12mm MNT)	x					x	
	SGS10750	Tine - 18mm x 12.25" (18mm MNT)	x					x	x
	SGS12750	Tine - 18mm x 14.25" (18mm MNT)	x					x	x
	SGS14750	Tine - 18mm x 16.25" (18mm MNT)	x					x	x
	SGS10875	Tine - 7/8" x 12.50" (18mm MNT)	x					x	x
	SGS12875	Tine - 7/8" x 14.00" (18mm MNT)	x					x	x
	SGS14875	Tine - 7/8" x 16.00" (18mm MNT)	x					x	x
	SGS10876	Tine - 7/8" x 12.50" (7/8" MNT)							x
	SGS12876	Tine - 7/8" x 14.00" (7/8" MNT)							x
	SGS16100	Tine - 1" x 17.88" (7/8" MNT)							x
<b>Side Eject Standard Shank</b>	139-8618	Tine Assy - .500" x 5.5" (3/8" MNT)		x		x			
	SGT05550	Tine Assy - .500" x 5.5"		x		x			
	139-8616	Tine Assy - .687" x 7.0" (12mm MNT)		x	x	x	x		
	139-8625	Tine Assy - .813" x 7.0" (12mm MNT)		x	x	x	x		
	SGT07750	Tine Assy - .813" x 7.0"		x	x	x	x		
	139-8620	Tine Assy - .750" x 10.0" (12mm MNT)		x	x	x	x		
	SGT10750	Tine Assy - .750" x 10.0"		x	x	x	x		
	SGC08123	Tine Assy - 1.31" x 8.0" (7/8" MNT)							x
	SGT08125	Tine Assy - 1.31" x 8.0"							x
	SGC12123	Tine Assy - 1.31" x 12.0" (7/8" MNT)							x
	SGT12125	Tine Assy - 1.31" x 12.0"							x

Ref. No.	Part No.	Description	SR48	SR54	SR54-S	SR70	SR70-S	SR72	SR75-HD
<b>Side Eject Long Shank</b>	139-8614	Tine Assy - .687" x 7.0" (12mm L-MNT)	x					x	
	SGC07750	Tine Assy - .813" x 7.0" (12mm L-MNT)	x					x	
	SGT07750	Tine Assy - .813" x 7.0"	x					x	
	SGC10755	Tine Assy - .750" x 10.0" (12mm L-MNT)	x					x	
	SGT10750	Tine Assy - .750" x 10.0"	x					x	
	139-8613	Tine Assy - .810" x 10.0" (12mm L-MNT)	x					x	
	117-7020	Tine Assy - .810" x 10.0"	x					x	
	139-8623	Tine Assy - .750" x 10.0" (18mm L-MNT)	x					x	x
	SGT10750	Tine Assy - .750" x 10.0"	x					x	x
	139-8628	Tine Assy - 1.06" x 8.0" (18mm L-MNT)	x					x	x
	117-7021	Tine Assy - 1.06" x 8.0"	x					x	x
	139-8617	Tine Assy - 1.06" x 10.0" (18mm L-MNT)	x					x	x
	139-8619	Tine Assy - 1.00" x 10.0" (18mm L-MNT)	x					x	x
	SGC08125	Tine Assy - 1.31" x 8.0" (18mm L-MNT)	x					x	x
	SGT08125	Tine Assy - 1.31" x 8.0"	x					x	x
	SGC12125	Tine Assy - 1.31" x 12.0" (18mm L-MNT)	x					x	x
	SGT12125	Tine Assy - 1.31" x 12.0"	x					x	x

## QUICK REFERENCE GUIDE TIRES

Equipment	Description	Tread	Application	Part No.
<b>Groundsmaster® Walkers</b>				
<b>Transport Wheel Kit</b>	Tire (12 x 3.25 - 6) 4-Ply	Block	-	65-7940
<b>Transpro 80/100 Trailer</b>	Tire (20 x 10 - 8) 4-Ply	Turf Mate	-	99-4506
<b>Groundsmaster® Riders</b>				
<b>Greensmaster 3/300</b>	Tire (18 x 9.5 - 8) 2-Ply	Smooth	Front & Rear	28-3680
<b>Greensmaster 3000</b>	Tire (18 x 9.5 - 8) 2-Ply	Smooth	Front & Rear	28-3680
	Tire (18 x 8.5 - 8) 4-Ply	Turf Traction	Front & Rear	119-3516
<b>Greensmaster 3000D</b>	Tire (18 x 9.5 - 8) 2-Ply	Smooth	Front & Rear	28-3680
	Tire (18 x 8.5 - 8) 4-Ply	Turf Traction	Front & Rear	119-3516
	Tire (19 x 10.5 - 8) 2-Ply	Traction	Front & Rear	70-8500
<b>Greensmaster 3050/3100/3150/3200</b>	Tire (18 x 9.5 - 8) 2-Ply	Smooth	Front & Rear	28-3680
	Tire (18 x 8.5 - 8) 4-Ply	Turf Traction	Front & Rear	119-3516
<b>Greensmaster 3200D</b>	Tire (18 x 9.5 - 8) 2-Ply	Smooth	Front & Rear	28-3680
<b>Greensmaster 3250D</b>	Tire (19 x 10.5 - 8) 2-Ply	Smooth	Front & Rear	70-8500
	Tire (20 x 10 - 8) 4-Ply	Turf Mate	Front & Rear	99-4506
<b>Greensmaster 3300/3400</b>	Tire (19 x 10.5-8) 4-Ply	Smooth	Front & Rear	120-2783
<b>Reelmaster®</b>				
<b>Reelmaster 216/216D</b>	Tire (18 x 8.5 - 8) 4-Ply	Turf Traction	Front	119-3516
	Tire (18 x 6.5 - 8) 4-Ply (2WD)	Turf Traction	Rear	231-122
<b>Reelmaster 2000D/2300D/2400D</b>	Tire (20 x 10 - 8) 4-Ply	Turf Mate	Front & Rear	99-4506
<b>Reelmaster 3100D</b>	Tire (20 x 12 - 10) 4-Ply	Turf Trac R/S	Front	117-5125
	Tire (20 x 10 - 10) 4-Ply	Turf Trac R/S	Front & Rear	115-1572
<b>Reelmaster 3100D (2010 - Current)</b>	Tire (20 x 12 - 10) 4-Ply	Turf Traction	Front	117-5125
	Tire (20 x 10 - 10) 4-Ply	Turf Traction	Rear	115-1572
<b>Reelmaster 223D</b>	Tire (26 x 12 - 12) 4-Ply	Turf Traction	Front	231-134
<b>Reelmaster 5100D/5300D</b>	Tire (26 x 12 - 12) 4-Ply	Turf Traction	Front	231-134
<b>Reelmaster 5200D/5400D</b>	Tire (26 x 12 - 12) 4-Ply	Turf Traction	Front	231-134
	Tire (26.5 x 14 - 12) 2-Ply	Ultra Trac	Front	117-5196
	Tire (20 x 10 - 10) 6-Ply	Turf Traction	Rear	86-5910
<b>Reelmaster 5500D</b>	Tire (26.5 x 14 - 12) 2-Ply	Ultra Trac	Front	117-5196
	Tire (20 x 10 - 10) 6-Ply	Turf Traction	Rear	86-5910
<b>Reelmaster 5210</b>	Tire (24 x 13 - 12) 6-Ply (2006-Mid 2008)	Ultra Trac	Front	110-5132
	Tire (24 x 13 - 12) 4-Ply (Mid 2008 & on)	Ultra Trac	Front	95-2638
	Tire (20 x 10 - 10) 6-Ply (2006)	Turf Traction	Rear	86-5910
	Tire (20 x 10 - 10) 4-Ply (2007 & on)	Turf Trac R/S	Rear	115-1572
<b>Reelmaster 5010-H/5410/5510/5610</b>	Tire (26.5 x 14 - 12) 2-Ply	Ultra Trac	Front	117-5196
	Tire (20 x 12 - 10) 4-Ply	Turf Trac R/S	Rear	117-5125
	Tire (20 x 12 - 10) 4-Ply	Smooth	Rear	127-2796
	Tire (26.5 x 14 - 12) 4-Ply	Smooth	Front	133-2940
<b>Reelmaster 6500D/6700D</b>	Tire (29 x 14 - 15) 6-Ply	Ultra Trac	Front	95-3465
	Tire (29 x 14 - 15) 6-Ply	Ultra Trac	Front	95-3465
	Tire (20 x 10 - 10) 6-Ply	Turf Traction	Rear	86-5910

## QUICK REFERENCE GUIDE TIRES

Equipment	Description	Tread	Application	Part No.
<b>Reelmaster 450D/4500D</b>	Tire (31 x 13.5 - 15) 4-Ply	Turf Traction	Front	63-4480
	Tire (23 x 10.5 - 12) 6-Ply	Turf Traction	Rear	69-9880
<b>Reelmaster 335D</b>	Tire (23 x 10.5 - 12) 6-Ply	Turf Traction	Front	69-9880
	Tire (20 x 8 - 10) 6-Ply	Turf Traction	Rear	74-5560
<b>Reelmaster 3500D</b>	Tire (20 x 10 - 10) 6-Ply	Turf Traction	Rear	86-5910
<b>Reelmaster 3550D/3555/3575</b>	Tire (22 x 12 - 12) 4-Ply	Smooth	Front & Rear	120-2114
	Tire (22 x 12 - 12) 4-Ply	Turf Traction	Front & Rear	121-7924
<b>Reelmaster 4000D</b>	Tire (31 x 13.5 - 15) 4-Ply	Turf Traction	Front	63-4480
	Tire (23 x 10.5 - 12) 6-Ply	Turf Traction	Rear	69-9880
<b>Reelmaster 7000D</b>	Tire (20 x 12 - 10) 4-Ply	Turf Traction	Rear	117-5125
	Tire (31 x 13.5 - 15) 4-Ply	Turf Traction	Front	63-4480
<b>Gangmower</b>				
<b>Reelmaster Transport Frame</b>	Tire (11 - 15) 6-Ply	Ribbed	-	56-7960
<b>Reelmaster Reel</b>	Tire (16 x 4 - 12) Semi-Pneumatic	Chevron	-	12-9390
	Tire (16 x 4.8 - 8) 2-Ply Pneumatic	Stud	-	231-3
	Tire (18 x 4 - 12) Semi-Pneumatic	Chevron	-	51-2550
	Tire (18 x 4 - 12) Semi-Pneumatic	Chevron	-	51-2550
<b>Groundsmaster®</b>				
<b>Groundsmaster 52/62/220</b>	Tire (20 x 8 - 10) 4-Ply	Turf Traction	Front	231-103
<b>Groundsmaster 220D</b>	Tire (23 x 8.5 - 12) 4-Ply	Turf Traction	Front	231-101
	Tire (23 x 10.5 - 12) 4-Ply - Wide Wheel Opt.	Turf Saver	Front	231-95*
	Tire (16 x 6.5 - 8) 4-Ply Ribbed (2WD)	Ribbed	Rear	231-105
<b>Groundsmaster 223D</b>	Tire (23 x 8.5 - 12) 4-Ply (Standard)	Turf Traction	Front	231-101
	Tire (23 x 10.5 - 12) 4-Ply - Wide Wheel Opt.	Turf Saver	Front	231-95*
	Tire (23 x 10.5 - 12) 6-Ply - Wide Wheel Opt.	Turf Traction	Front	69-9880*
	Tire (16 x 6.5 - 8) 4-Ply Ribbed (2WD)	Ribbed	Rear	231-105
	Tire (18 x 6.5 - 8) 4-Ply (4WD)	Turf Traction	Rear	231-122
<b>Groundsmaster 224/225</b>	Tire (23 x 8.5 - 12) 4-Ply (224 Standard)	Turf Traction	Front	231-101
	Tire (23 x 8.5 - 12) 4-Ply (225 Standard)	Turf Traction	Front	95-3348
	Tire (23 x 10.5 - 12) 4-Ply - Wide Wheel Opt.	Turf Saver	Front	231-95*
	Tire (23 x 10.5 - 12) 6-Ply - Wide Wheel Opt.	Turf Traction	Front	69-9880*
	Tire (16 x 6.5 - 8) 4-Ply	Ribbed	Rear	231-105
<b>Groundsmaster 228D</b>	Tire (23 x 8.5 - 12) 4-Ply (Standard)	Turf Traction	Front	95-3348
	Tire (23 x 8.5 - 12) 6-Ply	Turf Traction	Front	138-8242
	Tire (16 x 6.5 - 8) 4-Ply (2WD)	Ribbed	Rear	231-105
	Tire (18 x 6.5 - 8) 4-Ply (4WD)	Turf Traction	Rear	231-122
	<b>Groundsmaster 322D/325D</b>	Tire (23 x 8.5 - 12) 4-Ply (Standard)	Turf Traction	Front
Tire (23 x 8.5 - 12) 6-Ply		Turf Traction	Front	138-8242
Tire (23 x 10.5 - 12) 4-Ply - Wide Wheel Opt.		Turf Saver	Front	231-95*
Tire (23 x 10.5 - 12) 6-Ply - Wide Wheel Opt.		Turf Traction	Front	69-9880*
Tire (16 x 6.5 - 8) 4-Ply Ribbed (2WD)		Ribbed	Rear	231-105
Tire (18 x 6.5 - 8) 4-Ply (4WD)		Turf Traction	Rear	231-122

**QUICK REFERENCE GUIDE**  
**TIRES**

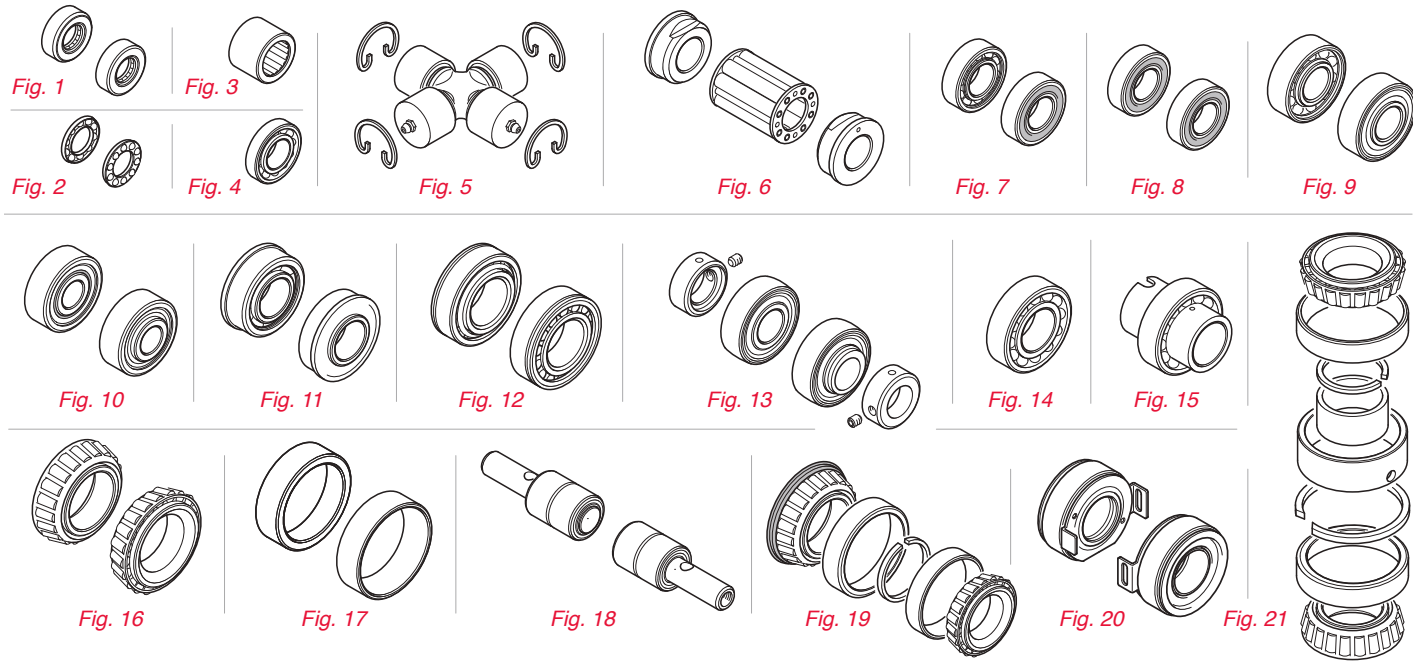
Equipment	Description	Tread	Application	Part No.
<b>Groundsmaster 327</b>	Tire (23 x 8.5 - 12) 4-Ply (Standard)	Turf Traction	Front	231-101
	Tire (23 x 10.5 - 12) 4-Ply - Wide Wheel Opt.	Turf Saver	Front	231-95*
	Tire (23 x 10.5 - 12) 6-Ply - Wide Wheel Opt.	Turf Traction	Front	69-9880*
	Tire (16 x 6.5 - 8) 4-Ply	Ribbed	Rear	231-105
<b>Groundsmaster 328D</b>	Tire (23 x 8.5 - 12) 4-Ply (Standard)	Turf Traction	Front	95-3348
	Tire (23 x 10.5 - 12) 4-Ply - Wide Wheel Opt.	Turf Saver	Front	231-95*
	Tire (23 x 10.5 - 12) 6-Ply - Wide Wheel Opt.	Turf Traction	Front	69-9880*
	Tire (16 x 6.5 - 8) 4-Ply (2WD)	Ribbed	Rear	231-105
	Tire (18 x 6.5 - 8) 4-Ply (4WD)	Turf Traction	Rear	231-122
<b>Groundsmaster 345</b>	Tire (23 x 8.5 - 12) 4-Ply (Standard)	Turf Traction	Front	95-3348
	Tire (23 x 10.5 - 12) 4-Ply - Wide Wheel Opt.	Turf Saver	Front	231-95*
	Tire (23 x 10.5 - 12) 6-Ply - Wide Wheel Opt.	Turf Traction	Front	69-9880*
	Tire (16 x 6.5 - 8) 4-Ply	Ribbed	Rear	231-105
<b>Groundsmaster 360</b>	Tire (23 x 10.5 - 12) 6-Ply	Tuff Trac	Front & Rear	121-9072
<b>Groundsmaster 455D</b>	Tire (26 x 12 - 12) 6-Ply	Multi Trac C/S	Front	126-8033
	Tire (20 x 10 - 10) 6-Ply	Turf Traction	Rear	86-5910
	Tire (20 x 10 - 10) 6-Ply	Multi Trac C/S	Rear	94-5236
	Tire (16 x 6.5 - 8) 4-Ply	Ribbed	Rear	231-105
<b>Groundsmaster 580D</b>	Tire (31 x 13.5 - 15) 8-Ply (Standard)	Turf Traction	Front	69-9800
	Tire (23 x 10.5 - 12) 6-Ply	Turf Traction	Rear	69-9880
<b>Groundsmaster 3000/3000D</b>	Tire (25 x 10.5 - 15) 6-Ply	Turf Trac R/S	Front	93-5431
	Tire (26.5 x 14 - 12) 2-Ply - Wide Wheel Opt.	Ultra Trac	Front	117-5196
	Tire (24 x 13 - 12) 4-Ply	Ultra Trac	Front	95-2638
	Tire (20 x 8 - 10) 6-Ply	Turf Traction	Rear	74-5560
	Tire (18 x 8.5 - 10) 4-Ply	Multi Trac C/S	Rear	95-2625
<b>Groundsmaster 3500D/3505D</b>	Tire (20 x 12 - 10) 4-Ply	Turf Trac R/S	Front	117-5125
	Tire (20 x 10 - 10) 4-Ply	Turf Trac R/S	Rear	115-1572
<b>Groundsmaster 3280D</b>	Tire (23 x 9.5 - 12) 4-Ply	Multi Trac C/S	Front	117-0823
	Tire (23 x 10.5 - 12) 4-Ply - Wide Wheel Opt.	Turf Saver	Front	231-95
	Tire (23 x 10.5 - 12) 6-Ply - Wide Wheel Opt.	Turf Traction	Front	69-9880
	Tire (16 x 6.5 - 8) 4-Ply (2WD)	Ribbed	Rear	231-105
	Tire (18 x 6.5 - 8) 4-Ply (4WD)	Turf Traction	Rear	231-122
<b>Groundsmaster 3320</b>	Tire (23 x 9.5 - 12) 4-Ply	Multi Trac C/S	Front	117-0823
	Tire (23 x 10.5 - 12) 4-Ply - Wide Wheel Opt.	Turf Saver	Front	231-95
	Tire (23 x 10.5 - 12) 6-Ply - Wide Wheel Opt.	Turf Traction	Front	69-9880
	Tire (16 x 6.5 - 8) 4-Ply	Ribbed	Rear	231-105
<b>Groundsmaster 4000D/4100D</b>	Tire (26 x 12 - 12) 6-Ply	Multi Trac C/S	Front	126-8033
	Tire (20 x 10 - 10) 6-Ply	Multi Trac C/S	Rear	94-5236
	Tire (26 x 12 - 12) 6 Ply	Multi Trac C/S	Front	119-8313
	Tire (26 x 12 - 12) 6 Ply	High Traction	Front	136-4442
	Tire (20 x 10 - 10) 6 Ply	High Traction	Rear	136-4440
<b>Groundsmaster 4300D</b>	Tire (26.5 x 14 - 12) 2-Ply	Ultra Trac	Front	117-5196
	Tire (20 x 12 - 10) 4-Ply	Turf Trac R/S	Rear	117-5125

**QUICK REFERENCE GUIDE**  
**TIRES**

Equipment	Description	Tread	Application	Part No.
<b>Groundsmaster 4500D/4700D</b>	Tire (29 x 14 - 15) 6-Ply	Ultra Trac	Front	95-3465
	Tire (20 x 12 - 10) 4-Ply	Turf Trac R/S	Rear	117-5125
	Tire (29 x 14 - 15) 6-Ply	Turf	Front	119-0023
<b>Groundsmaster 5900/5910</b>	Tire (29 x 12.5 - 15) 10-Ply	Multi Trac C/S	Front	114-4861
	Tire (23 x 10.5 - 12) 6-Ply	Multi Trac C/S	Rear	121-9072
	TIRE			131-2382
<b>Groundsmaster 7200/7210</b>	Tire (24 x 12 - 12) 6-Ply	Lug	Rear	103-6771
	TIRE			133-4724
<b>Aerator</b>				
<b>Hydroject 3000/3010</b>	Tire (18 x 9.5 - 8) 2-Ply	Smooth	Front	28-3680
	Tire (18 x 9.5 - 8) 2-Ply	Smooth	Rear	28-3680
<b>Hydroject 4000 (Tongue Hitch)</b>	Tire (16 x 6.5 - 8) 4-Ply	Ribbed	-	231-105*
<b>Hydrotote Trailer</b>	Tire (15 x 6 - 6) 2-Ply	Ribbed	-	108-9955
<b>ProCore 648 Aerator</b>	Tire (19 x 10.5 - 8) 2-Ply	Traction	Front	70-8500
	Tire (19 x 10.5 - 8) 2-Ply	Traction	Rear	70-8500*
<b>ProCore Processor</b>	Tire (18 x 9.5 - 8) 6-Ply	Turf Traction	-	114-7741*
<b>Workman®</b>				
<b>Workman 1100</b>	Tire (20 x 10 - 8) 4-Ply (2001-2003)	Turf Trac R/S	Front	99-7300
	Tire (22 x 9.5 - 10) 4-Ply (2004-2005)	Multi Trac C/S	Front & Rear	127-7435
	Tire (22.5 x 10 - 8) 4-Ply (2001-2003)	Turf Trac R/S	Rear	108-7007
<b>Workman MD/MDE</b>	Tire (22 x 9.5 - 10) 4-Ply	Multi Trac C/S	Front & Rear	127-7435*
<b>Workman 2100</b>	Tire (22 x 9.5 - 10) 4-Ply (2004-2005)	Multi Trac C/S	Front & Rear	127-7435*
	Tire (22.5 x 10 - 8) 4-Ply (1999-2003)	Turf Trac R/S	Front & Rear	108-7007
<b>Workman 2110</b>	Tire (22 x 9.5 - 10) 4-Ply	Turf Trac R/S	Front	104-7064
	Tire (24 x 12 - 10) 4-Ply	Turf Trac R/S	Rear	131-6667
	Tire (24 x 12 - 10) 4-Ply	Turf Trac R/S	Rear	131-6667
	Tire (22 x 9.5 - 10) 4-Ply	Multi Trac C/S	Front & Rear	127-7435
	Tire (22.5 x 10 - 8) 4-Ply	Turf Trac R/S	Front & Rear	108-7007
<b>Workman GTX</b>	Tire (20.75 x 8 - 10) 4-Ply	Standard	Front & Rear	131-8318
	TIRE-20 x 8.00-10			139-4475*
<b>Workman MDX</b>	Tire (22 x 9.5 - 10) 4-Ply	Multi Trac C/S	Front	127-7435*
	Tire (24 x 12 - 10) 4-Ply	Turf Trac R/S	Rear	131-6667
	Tire-Front, K299			136-1126
		Tire-Rear, K299		136-1127
<b>Workman 3000/4000 Series</b>	Tire (20 x 10 - 10) 4-Ply	Ribbed	Front	94-5261
	Tire (20 x 10 - 10) 6-Ply (4WD)	Multi Trac C/S	Front	94-5236
	Tire (20 x 10 - 10) 4-Ply	Tuff Trac	Front	112-3163
	Tire (23 x 10.5 - 12) 4-Ply	Turf Trac R/S	Rear	87-3290
	Tire (24 x 13 - 12) 6-Ply (1993-2001)	Ultra Trac	Rear	110-5132



**QUICK REFERENCE GUIDE**  
**BEARINGS**



Equipment	Application	Fig. No.	Component	Year	Description	Part No.
<b>Greensmaster® Walker</b>						
<b>Greensmaster 800/1000/1600/2000/2600</b>	Cutting Unit	14	Reel	All	Ball Bearing Assembly - Dual Row	251-342
		19	Front Roller	All	Bearing & Shaft Assembly	52-3180
		7	Groomer Reel Shaft	All	Ball Bearing Assembly - Outer Seal only	251-327
		7	Groomer Drive Belt Idler	All	Ball Bearing Assembly - Outer Seal only	251-328
		7	Reel Drive Clutch Housing	1993 on	Ball Bearing Assembly - Outer Seal only	251-318
	Traction Unit	8	Reel Drive Clutch	All	Ball Bearing Assembly - Sealed	251-336
		14	Countershaft Support	All	Ball Bearing Assembly - Dual Row	251-338
		8	Idler Pulleys	All	Ball Bearing Assembly - Sealed	38-7820
		14	Drum Drive Shaft	All	Ball Bearing Assembly - Dual Row	251-338
		7	Drum Spindle/Hub	1990-1999	Ball Bearing Assembly - Outer Seal only	251-257
<b>Greensmaster Flex 1800/2100</b>	Cutting Unit	14	Reel	All	Ball Bearing Assembly - Dual Row	251-342
		8	Roller	All	Ball Bearing Assembly - Sealed	251-347
		8	Groomer Drive Belt Idler	All	Ball Bearing Assembly - Sealed	251-259
		*	Groomer Drive	All	Bearing - RH Reverse Groomer	106-4237
<b>eFlex 1800/2100</b>	Traction Unit	8	Reel Drive Shaft	All	Ball Bearing Assembly - Sealed	251-336
		13	Drum Drive Shaft	2001-2004	Ball Bearing - Self Aligning w/Collar	104-0538
		13	Drum Drive Shaft	2005 on	Ball Bearing - Self Aligning w/Collar	106-8448
		8	Drum Spindle/Hub	All	Ball Bearing Assembly - Sealed	251-82
<b>Trans Pro 80/100</b>	Trailer	16	Wheel - Inner/Outer Bearing	All	Roller Bearing Assembly - Tapered Cone	254-92
		17	Wheel - Inner/Outer Bearing	All	Bearing Race - Tapered Cup	254-72

**QUICK REFERENCE GUIDE**  
**BEARINGS**

Equipment	Application	Fig. No.	Component	Year	Description	Part No.	
<b>Greensmaster® Riders</b>							
<b>Greensmaster 3300 Style Cutting Units*</b>	4-Bolt	18	Front Roller	1974 on	Bearing & Shaft Assembly	21-6410	
		19	Rear Roller	1974 on	Bearing & Shaft Assembly	52-3180	
	Spiker	18	Front & Rear Rollers	1974 on	Bearing & Shaft Assembly	21-6410	
		4 Bolt & SPA	16	Reel	All	Roller Bearing Assembly - Tapered Cone	254-94
		17	Reel	All	Bearing Race - Tapered Cup	254-72	
		2	Reel Adjustment Knob	1985-1986	Thrust Bearing Cage Assembly	257-6	
		19	Front & Rear Rollers	All	Bearing & Shaft Assembly	52-3180	
	Groomer	7	Roller Brush Kit Rear Roller	All	Ball Bearing Assembly - Outer Seal only	85-9970	
		7	Groomer Reel Drive	All	Ball Bearing Assembly - Outer Seal only	251-327	
		7	Groomer Drive Shaft	All	Ball Bearing Assembly - Outer Seal only	251-327	
Spiker	7	Groomer Drive Belt Idler	All	Ball Bearing Assembly - Outer Seal only	251-328		
	19	Front & Rear Rollers	1985-1992	Bearing & Shaft Assembly	52-3180		
<b>Greensmaster 3200 Style Cutting Units*</b>	4-Bolt & SPA	14	Reel	1995-00	Ball Bearing Assembly - Dual Row	93-2489	
		9	Front Roller	All	Ball Bearing Assembly - Outer Seal only	93-2559	
	Groomer	18	Wiehle Front Roller	All	Bearing & Shaft Assembly	75-1290	
		9	Rear Roller	1995-1998	Ball Bearing Assembly - Outer Seal only	93-2559	
	Groomer	7	Rear Roller	1999-2000	Ball Bearing Assembly - Outer Seal only	85-9970	
		13	Rear Roller Brush Shaft	All	Ball Bearing - Self Aligning w/Collar	98-5208	
		4	Rear Roller Brush Drive Shaft	All	Ball Bearing Assembly - Single Row	98-5215	
		14	Groomer Reel Drive	All	Ball Bearing Assembly - Single Row	251-336	
	Groomer	8	Groomer Drive Shaft	All	Ball Bearing Assembly - Sealed	95-0707	
		7	Groomer Drive Belt Idler	All	Ball Bearing Assembly - Outer Seal only	38-7820	
		Dethatcher	7	Front Roller	1997 on	Ball Bearing Assembly - Outer Seal only	85-9970
			Spiker	9	Rear Roller	All	Ball Bearing Assembly - Outer Seal only
	Tri-Roller	9		Rear Roller	All	Ball Bearing Assembly - Outer Seal only	93-2559
	<b>Greensmaster 3050 Style Cutting Units*</b>	4-Bolt & SPA	14	Reel	2001	Ball Bearing Assembly - Dual Row	93-2489
14			Reel	2002-2003	Ball Bearing Assembly - Dual Row	105-3827	
Groomer		19	Front Roller	All	Bearing & Shaft Assembly	52-3180	
		7	Rear Roller	All	Ball Bearing Assembly - Outer Seal only	85-9970	
Groomer		13	Rear Roller Brush Shaft	All	Ball Bearing - Self Aligning w/Collar	98-5208	
		4	Rear Roller Brush Drive Shaft	All	Ball Bearing Assembly - Single Row	98-5215	
		14	Groomer Reel	All	Ball Bearing Assembly - Single Row	95-0707	
		8	Groomer Drive Shaft	All	Ball Bearing Assembly - Sealed	251-336	
Spiker		7	Groomer Drive Belt Idler	All	Ball Bearing Assembly - Outer Seal only	38-7820	
		9	Rear Roller	All	Ball Bearing Assembly - Outer Seal only	93-2559	
Tri-Roller	9	Rear Roller	All	Ball Bearing Assembly - Outer Seal only	93-2559		
	<b>Greensmaster DPA Cutting Units*</b>	DPA	14	Reel	2003-2006	Ball Bearing Assembly - Dual Row	93-2489
8			Roller	All	Ball Bearing Assembly - Sealed	251-347	
DPA		13	Rear Roller Brush Shaft	All	Ball Bearing - Self Aligning w/Collar	132-6979	
		8	Roller Brush Drive Belt Idler	All	Ball Bearing Assembly - Sealed	251-259	
		8	Groomer Drive Belt Idler	All	Ball Bearing Assembly - Sealed	251-259	

\*Greensmaster cutting units can be attached to a variety of Greensmaster traction units. Use the Greensmaster Cutting Unit Reference Chart to help recognize cutting units by name.

**QUICK REFERENCE GUIDE**  
**BEARINGS**

Equipment	Application	Fig. No.	Component	Year	Description	Part No.			
<b>Greensmaster 300</b>	Traction Unit	9	Pull Frame Roller	All	Ball Bearing Assembly - Outer Seal only	133-2378			
		16	Rear Wheel	All	Roller Bearing Assembly - Tapered Cone	254-78			
		17	Rear Wheel	All	Bearing Race - Tapered Cup	254-79			
<b>Greensmaster 3000/3000D</b>	Traction Unit	9	Pull Frame Roller	All	Ball Bearing Assembly - Outer Seal only	133-2378			
		16	Rear Wheel	All	Roller Bearing Assembly - Tapered Cone	254-78			
		17	Rear Wheel	All	Bearing Race - Tapered Cup	254-79			
<b>Greensmaster 3050</b>	Traction Unit	9	Pull Frame Roller	All	Ball Bearing Assembly - Outer Seal only	133-2378			
		16	Rear Wheel	All	Roller Bearing Assembly - Tapered Cone	254-78			
		17	Rear Wheel	All	Bearing Race - Tapered Cup	254-79			
<b>Greensmaster 3100D</b>	Traction Unit	9	Pull Frame Roller	All	Ball Bearing Assembly - Outer Seal only	133-2378			
		16	2WD Rear Wheel	All	Roller Bearing Assembly - Tapered Cone	254-78			
		17	2WD Rear Wheel	All	Bearing Race - Tapered Cup	254-79			
<b>Greensmaster 3150</b>	Traction Unit	9	Pull Frame Roller	All	Ball Bearing Assembly - Outer Seal only	133-2378			
		8	Neutral Centering Device	All	Ball Bearing Assembly - Sealed	251-259			
		8	Traction Function Lever	All	Ball Bearing Assembly - Sealed	251-259			
		16	Rear Wheel	All	Roller Bearing Assembly - Tapered Cone	254-78			
		17	Rear Wheel	All	Bearing Race - Tapered Cup	254-79			
<b>Greensmaster 3200/3200D</b>	Traction Unit	8	Neutral Arm	All	Ball Bearing Assembly - Sealed	251-259			
		8	Traction Function Lever	All	Ball Bearing Assembly - Sealed	251-259			
		16	Rear Wheel	All	Roller Bearing Assembly - Tapered Cone	254-78			
		17	Rear Wheel	All	Bearing Race - Tapered Cup	254-79			
<b>Greensmaster 3250D</b>	Traction Unit	8	Neutral Centering Device	All	Ball Bearing Assembly - Sealed	251-259			
		8	Traction Function Lever	All	Ball Bearing Assembly - Sealed	251-259			
		16	Rear Wheel	All	Roller Bearing Assembly - Tapered Cone	254-78			
		17	Rear Wheel	All	Bearing Race - Tapered Cup	254-79			
		8	Neutral Centering Device	All	Ball Bearing Assembly - Sealed	251-259			
<b>Greensmaster 3300/3320/3400/3420</b>	Cutting Unit	8	Rear Rollers	All	Ball Bearing Assembly - Sealed	251-347			
		*	Groomer Drive	All	Bearing - RH Reverse Groomer	106-4237			
	Traction Unit	8	Neutral Centering Device	All	Ball Bearing Assembly - Sealed	251-259			
17		Rear Wheel	All	Bearing Race - Tapered Cup	254-72				
<b>Reelmaster®</b>	<b>Reelmaster 216/216D</b>	Cutting Unit	16	Rear Wheel	All	Roller Bearing Assembly - Tapered Cone	254-94		
			13	Reel	1987-1988	Ball Bearing Assembly - Self Aligning	71-1360		
			13	Reel	1989 on	Ball Bearing Assembly - Self Aligning	251-331		
			2	Reel Adjustment Knob	All	Thrust Bearing Cage Assembly	257-6		
			17	Front & Rear Rollers	All	Bearing Race - Tapered Cup	254-79		
		Traction Unit	16	Front & Rear Rollers	All	Roller Bearing Assembly - Tapered Cone	254-78		
			8	Neutral Centering Device	All	Ball Bearing Assembly - Sealed	251-259		
			11	2 WD Rear Wheel	All	Ball Bearing Assembly - Flanged	251-321		
			<b>Grounds Pro 2000/2000D</b>	Cutting Unit	13	Reel	All	Ball Bearing Assembly - Self Aligning	251-331
					2	Reel Adjustment Knob	All	Thrust Bearing Cage Assembly	257-6
16	Front & Rear Rollers	All			Roller Bearing Assembly - Tapered Cone	254-78			
Traction Unit	17	Front & Rear Rollers		All	Bearing Race - Tapered Cup	254-79			
	8	Neutral Centering Device		All	Ball Bearing Assembly - Sealed	251-259			
11	3 Wheeled Axle - Rear Wheel	All	Ball Bearing Assembly - Flanged	251-321					

**QUICK REFERENCE GUIDE**  
**BEARINGS**

Equipment	Application	Fig. No.	Component	Year	Description	Part No.
<b>Reelmaster 2000D</b>	Cutting Units	13	Reel	All	Ball Bearing Assembly - Self Aligning	100-4926
		17	Front & Rear Rollers	All	Bearing Race - Tapered Cup	254-79
		16	Front & Rear Rollers	All	Roller Bearing Assembly - Tapered Cone	254-78
	Traction Unit	8	27" Verticut - Roller	All	Ball Bearing Assembly - Sealed	251-347
		8	Neutral Centering Device	All	Ball Bearing Assembly - Sealed	251-259
		16	Rear Wheel - Inner/Outer	All	Roller Bearing Assembly - Tapered Cone	254-94
		17	Rear Wheel - Inner/Outer	All	Bearing Race - Tapered Cup	254-72
<b>Reelmaster 2300D/2600D</b>	Cutting Units	13	Reel	All	Ball Bearing Assembly - Self Aligning	88-7880
		2	Reel Adjust	All	Thrust Bearing Cage Assembly	257-6
		16	Front & Rear Rollers	All	Roller Bearing Assembly - Tapered Cone	254-78
	Traction Unit	17	Front & Rear Rollers	All	Bearing Race - Tapered Cup	254-79
		8	Neutral Centering Device	All	Ball Bearing Assembly - Sealed	251-259
		11	2WD Rear Wheel	All	Ball Bearing Assembly - Flanged	251-321
<b>Reelmaster 3100D</b>	Cutting Units	13	Reel	All	Ball Bearing Assembly - Self Aligning	100-4926
		17	Front & Rear Rollers	All	Bearing Race - Tapered Cup	254-79
		16	Front & Rear Rollers	All	Roller Bearing Assembly - Tapered Cone	254-78
	Traction Unit	8	27" Verticut - Roller	All	Ball Bearing Assembly - Sealed	251-347
		8	Neutral Centering Device	All	Ball Bearing Assembly - Sealed	251-259
		8	Traction Pedal	All	Ball Bearing Assembly - Sealed	251-259
<b>Reelmaster 223D/5100D/5300D</b>	Cutting Unit	16	Reel	All	Roller Bearing Assembly - Tapered Cone	254-94
		17	Reel	All	Bearing Race - Tapered Cup	254-72
		18	Front Roller	All	Bearing & Shaft Assembly	75-1290
		19	Rear Roller	1990-1991	Bearing & Shaft Assembly	52-3180
		7	Rear Roller	All	Ball Bearing Assembly - Outer Seal only	85-9970
		13	Rear Roller Brush Shaft	All	Ball Bearing - Self Aligning w/Collar	98-5208
	Traction Unit	8	Rear Roller Brush Drive Shaft	All	Ball Bearing Assembly - Sealed	251-336
		8	Roller Brush Drive Belt Idler	All	Ball Bearing Assembly - Sealed	251-259
		18	Dethatcher - Rollers	All	Bearing & Shaft Assembly	75-1290
		8	Compensating Carrier Frame	All	Ball Bearing Assembly - Sealed	251-259
		8	Neutral Centering Device	All	Ball Bearing Assembly - Sealed	251-259
		7	Cooling Fan Shaft	All	Ball Bearing Assembly - Outer Seal only	251-318
12	Front Axle - Outer Bearing	All	Roller Bearing Assembly	21-8180		
16	2WD Rear Wheel - In/Out	All	Roller Bearing Assembly - Tapered Cone	254-94		
17	2WD Rear Wheel - In/Out	All	Bearing Race - Tapered Cup	254-72		
8	4WD Rear Axle Knuckle	All	Ball Bearing Assembly - Sealed	251-347		

**QUICK REFERENCE GUIDE**  
**BEARINGS**

Equipment	Application	Fig. No.	Component	Year	Description	Part No.
<b>Reelmaster 5200D/5400D</b>	Cutting Unit	16	Reel	All	Roller Bearing Assembly - Tapered Cone	254-94
		17	Reel	All	Bearing Race - Tapered Cup	254-72
		18	Front & Rear Roller	1998-2001	Bearing & Shaft Assembly	75-1290
		7	Front & Rear Roller	2001-2006	Ball Bearing Assembly - Outer Seal only	109966
		13	Roller Brush Shaft	All	Ball Bearing - Self Aligning w/Collar	132-6979
		4	Roller Brush Drive Shaft	All	Ball Bearing Assembly - Single Row	98-5215
		8	Roller Brush Drive Belt Idler	All	Ball Bearing Assembly - Sealed	251-259
		18	Dethatcher - Rollers	All	Bearing & Shaft Assembly	75-1290
	Traction Unit	8	Compensating Carrier Frame	All	Ball Bearing Assembly - Sealed	251-259
		8	Neutral Centering Device	All	Ball Bearing Assembly - Sealed	251-259
		7	Cooling Fan Shaft	All	Ball Bearing Assembly - Outer Seal only	251-318
		12	Front Axle - Outer Bearing	All	Roller Bearing Assembly	21-8180
		16	2WD Rear Wheel - In/Out	All	Roller Bearing Assembly - Tapered Cone	254-94
		17	2WD Rear Wheel - In/Out	All	Bearing Race - Tapered Cup	254-72
		8	4WD Rear Axle Knuckle	1998-1999	Ball Bearing Assembly - Sealed	251-347
<b>Reelmaster 5010-H/5210/5410/5510/5610</b>		Cutting Unit	14	Reel	All	Ball Bearing Assembly - Dual Row
	7		Front & Rear Roller	2006-2007	Ball Bearing Assembly - Outer Seal only	109966
	7		Front & Rear Roller	2008 on	Ball Bearing Assembly - Outer Seal only	112-5290
	9		Roller Brush Drive Shaft	All	Ball Bearing Assembly - Outer Seal only	93-2559
	14		Roller Brush Shaft	All	Ball Bearing Assembly - Single Row	95-0707
	Traction Unit	9	Groomer Drive Shaft	All	Ball Bearing Assembly - Outer Seal only	93-2559
		14	Groomer Reel	All	Ball Bearing Assembly - Single Row	95-0707
		16	2WD Rear Wheel - In/Out	All	Roller Bearing Assembly - Tapered Cone	254-94
		17	2WD Rear Wheel - In/Out	All	Bearing Race - Tapered Cup	254-72
		7	Pedal Assembly	All	Bearing - Mount, Flange	256-236
<b>Reelmaster 5500D</b>	Cutting Units	14	Reel	All	Ball Bearing Assembly - Dual Row	93-2489
		7	Roller	All	Ball Bearing Assembly - Outer Seal only	109966
		13	Roller Brush Shaft	All	Ball Bearing - Self Aligning w/Collar	132-6979
		4	Roller Brush Drive Shaft	All	Ball Bearing Assembly - Single Row	98-5215
		8	Roller Brush Drive Belt Idler	All	Ball Bearing Assembly - Sealed	251-259
		14	Groomer Reel	All	Ball Bearing Assembly - Single Row	95-0707
		8	Dethatcher - Roller	All	Ball Bearing Assembly - Sealed	251-347
	Traction Unit	8	Neutral Centering Device	All	Ball Bearing Assembly - Sealed	251-259
		7	Cooling Fan Shaft	All	Ball Bearing Assembly - Outer Seal only	251-318
		12	Front Axle - Outer Bearing	All	Roller Bearing Assembly	21-8180
		16	2WD Rear Wheel - In/Out	All	Roller Bearing Assembly - Tapered Cone	254-94
		17	2WD Rear Wheel - In/Out	All	Bearing Race - Tapered Cup	254-72

**QUICK REFERENCE GUIDE**  
**BEARINGS**

Equipment	Application	Fig. No.	Component	Year	Description	Part No.	
<b>Reelmaster 6500D/6700D</b>	SPA Cutting Units	14	Reel	All	Ball Bearing Assembly - Dual Row	93-2489	
		7	Roller	All	Ball Bearing Assembly - Outer Seal only	109966	
		13	Roller Brush Shaft	All	Ball Bearing - Self Aligning w/Collar	132-6979	
		4	Roller Brush Drive Shaft	All	Ball Bearing Assembly - Single Row	98-5215	
		8	Roller Brush Drive Belt Idler	All	Ball Bearing Assembly - Sealed	251-259	
		14	Groomer Reel	All	Ball Bearing Assembly - Single Row	95-0707	
		8	Dethatcher - Roller	All	Ball Bearing Assembly - Sealed	251-347	
		*	Rear Roller Bearing	All	Bearing - Rear Roller Brush	106-4237	
		DPA Cutting Units	14	Reel	All	Ball Bearing Assembly - Dual Row	93-2489
			7	Front & Rear Roller	2007	Ball Bearing Assembly - Outer Seal only	109966
	7		Front & Rear Roller	2008 on	Ball Bearing Assembly - Outer Seal only	112-5290	
	9		Roller Brush Drive Shaft	All	Ball Bearing Assembly - Outer Seal only	93-2559	
	14		Roller Brush Shaft	All	Ball Bearing Assembly - Single Row	95-0707	
	9		Groomer Drive Shaft	All	Ball Bearing Assembly - Outer Seal only	93-2559	
	14		Groomer Reel	All	Ball Bearing Assembly - Single Row	95-0707	
	<b>Reelmaster 450D</b>	Cutting Unit	15	Reel	All	Ball Bearing Assembly - Dual Row Ext. Race	59-6140
			2	Reel Adjust	1986-1989	Thrust Bearing Cage Assembly	257-6
16			Front & Rear Rollers	All	Roller Bearing Assembly - Tapered Cone	254-78	
17			Front & Rear Rollers	All	Bearing Race - Tapered Cup	254-79	
15			Dethatcher - Reel	All	Ball Bearing Assembly - Dual Row Ext. Race	59-6140	
Traction Unit		16	2WD Rear Wheel - Inner	1991 on	Roller Bearing Assembly - Tapered Cone	254-106	
		17	2WD Rear Wheel - Inner	1991 on	Bearing Race - Tapered Cup	254-107	
		16	2WD Rear Wheel - Outer	1991 on	Roller Bearing Assembly - Tapered Cone	254-92	
		17	2WD Rear Wheel - Outer	1991 on	Bearing Race - Tapered Cup	254-72	
		<b>Reelmaster 335D</b>	Cutting Unit	15	Reel	All	Ball Bearing Assembly - Dual Row Ext. Race
16	Front & Rear Rollers			All	Roller Bearing Assembly - Tapered Cone	254-78	
17	Front & Rear Rollers			All	Bearing Race - Tapered Cup	254-79	
Traction Unit	15		Dethatcher - Reel	All	Ball Bearing Assembly - Dual Row Ext. Race	59-6140	
	8		Neutral Centering Device	All	Ball Bearing Assembly - Sealed	251-259	
	16		2WD Rear Wheel - In/Out	All	Roller Bearing Assembly - Tapered Cone	254-94	
	17		2WD Rear Wheel - In/Out	All	Bearing Race - Tapered Cup	254-72	
<b>Reelmaster 3500D</b>	Cutting Unit	15	Reel	All	Ball Bearing Assembly - Dual Row Ext. Race	59-6140	
		16	Front & Rear Rollers	All	Roller Bearing Assembly - Tapered Cone	254-78	
		17	Front & Rear Rollers	All	Bearing Race - Tapered Cup	254-79	
		15	Dethatcher - Reel	All	Ball Bearing Assembly - Dual Row Ext. Race	59-6140	
		8	Neutral Centering Device	All	Ball Bearing Assembly - Sealed	251-259	
	Traction Unit	16	2WD Rear Wheel - Inner	All	Roller Bearing Assembly - Tapered Cone	254-106	
		17	2WD Rear Wheel - Inner	All	Bearing Race - Tapered Cup	254-107	
		16	2WD Rear Wheel - Outer	All	Roller Bearing Assembly - Tapered Cone	254-92	
		17	2WD Rear Wheel - Outer	All	Bearing Race - Tapered Cup	254-72	



**QUICK REFERENCE GUIDE**  
**BEARINGS**

Equipment	Application	Fig. No.	Component	Year	Description	Part No.
<b>Reelmaster 3550D</b>	Cutting Unit	8	Front & Rear Roller	3013	Bearing-Sealed	140-5510
		7	Front & Rear Roller	3013	Bearing - Stainless Steel	112-5290
	Traction Unit	8	Traction Control ASM	2013	Ball Bearing	251-259
			Hydraulic Pump ASM	2013	Bearing-Cup	104-4046
			Hydraulic Pump ASM	2013	Bearing-Cone	98-4639
			2013	Bearing-Thrust	252-66	
<b>Reelmaster 4000D</b>	Cutting Unit	15	Reel	All	Ball Bearing Assembly - Dual Row Ext. Race	59-6140
		16	Front & Rear Rollers	All	Roller Bearing Assembly - Tapered Cone	254-78
<b>Reelmaster 4500D</b>	Cutting Unit	17	Front & Rear Rollers	All	Bearing Race - Tapered Cup	254-79
		15	Dethatcher - Reel	All	Ball Bearing Assembly - Dual Row Ext. Race	59-6140
	Traction Unit	16	2WD Rear Wheel - Inner	All	Roller Bearing Assembly - Tapered Cone	254-106
		17	2WD Rear Wheel - Inner	All	Bearing Race - Tapered Cup	254-107
		16	2WD Rear Wheel - Outer	All	Roller Bearing Assembly - Tapered Cone	254-92
		17	2WD Rear Wheel - Outer	All	Bearing Race - Tapered Cup	254-72
<b>Reelmaster 7000D</b>	Cutting Unit	14	Reel	All	Ball Bearing Assembly - Dual Row	93-2489
		7	Rear Roller	All	Ball Bearing Assembly - Outer Seal only	112-5290
<b>Reelmaster Transport Frame</b>	Traction Unit	16	Wheel	All	Roller Bearing Assembly - Tapered Cone	254-62
		17	Wheel	All	Bearing Race - Tapered Cup	115-9471
	Cutting Unit	16	Reel	All	Roller Bearing Assembly - Tapered Cone	254-94
		17	Reel	All	Bearing Race - Tapered Cup	254-72
		2	Reel Adjustment Knob	All	Thrust Bearing Cage Assembly	257-6
		16	Drive Wheel Gear Hub	All	Roller Bearing Assembly - Tapered Cone	254-78
		17	Drive Wheel Gear Hub	All	Bearing Race - Tapered Cup	254-79
		3	Idler Pinion Gear	All	Needle Bearing Assembly	252-6
		16	Rear Roller	All	Roller Bearing Assembly - Tapered Cone	254-78
17	Rear Roller	All	Bearing Race - Tapered Cup	254-79		

**QUICK REFERENCE GUIDE**  
**BEARINGS**

Equipment	Application	Fig. No.	Component	Year	Description	Part No.	
<b>Groundsmaster*</b>							
<b>Groundsmaster 52/62</b>	Traction Unit	8	Neutral Centering Device	All	Ball Bearing Assembly - Sealed	251-259	
		3	Steering Pivot Arm- Front	All	Needle Bearing Assembly	252-6	
		12	Front Axle - Outer Bearing	All	Roller Bearing Assembly	21-8180	
<b>Groundsmaster 72</b>	Deck	7	Blade Spindle	1973-1977	Ball Bearing Assembly - Outer Seal only	251-257	
	Traction Unit	8	Neutral Centering Device	All	Ball Bearing Assembly - Sealed	251-259	
		13	Engine Output Shaft Support	All	Ball Bearing - Self Aligning w/Collar	251-252	
		13	PTO Shaft Support	All	Ball Bearing - Self Aligning w/Collar	251-252	
		12	Front Axle - Outer Bearing	All	Roller Bearing Assembly	21-8180	
<b>Groundsmaster 200 Series</b>	52"/62" RD/SD	6	Front Caster Wheel	1989 on	Roller Bearing Cage Assembly	62-5570	
		6	Front Caster Wheel	1989 on	Bearing - Flange	62-5580	
	72" SD Deck	6	Front Caster Wheel	1989 on	Roller Bearing Cage Assembly	62-5570	
		6	Front Caster Wheel	1989 on	Bearing - Flange	62-5580	
		6	Rear Caster Wheel	1998 on	Roller Bearing Cage Assembly	63-8580	
		6	Rear Caster Wheel	1998 on	Bearing - Flange	62-5580	
		62" Guardian	6	Front & Rear Caster Wheel	All	Roller Bearing Cage Assembly	83-4740
			6	Front & Rear Caster Wheel	All	Bearing - Flange	62-5580
	Debris Blower	6	Caster Wheel	All	Roller Bearing Cage Assembly	62-5570	
		6	Caster Wheel	All	Bearing - Flange	62-5580	
	Traction Unit	8	Neutral Centering Device	All	Ball Bearing Assembly - Sealed	251-259	
		12	Front Axle - Outer Bearing	All	Roller Bearing Assembly	21-8180	
		16	2WD Rear Wheel - In/Out	All	Roller Bearing Assembly - Tapered Cone	254-94	
		17	2WD Rear Wheel - In/Out	All	Bearing Race - Tapered Cup	254-72	
		8	4WD Rear Axle Knuckle	1993-1999	Ball Bearing Assembly - Sealed	251-347	
	<b>Groundsmaster 300 Series</b>	72" RD/SD	21	Blade Spindle	All	Bearing & Spacer Set	49-8320
			6	Front Caster Wheel	1988-1991	Roller Bearing Cage Assembly	62-5570
6		Front Caster Wheel	1992 on	Roller Bearing Cage Assembly	83-4740		
6		Front Caster Wheel	1988 on	Bearing - Flange	62-5580		
6		Rear Caster Wheel	1988 on	Roller Bearing Cage Assembly	63-8580		
6		Rear Caster Wheel	1988 on	Bearing - Flange	62-5580		
10		Foam Filled Caster Wheel	All	Ball Bearing Assembly - Sealed	120-5378		
11		10" Segmented Caster Wheel	All	Ball Bearing Assembly - Flanged	251-321		

**QUICK REFERENCE GUIDE**  
**BEARINGS**

Equipment	Application	Fig. No.	Component	Year	Description	Part No.	
<b>Groundsmaster 300 Series</b>	72" Guardian	21	Blade Spindle	All	Bearing & Spacer Set	71-2530	
		6	Front & Rear Caster Wheel	All	Roller Bearing Cage Assembly	83-4740	
		6	Front & Rear Caster Wheel	All	Bearing - Flange	62-5580	
		10	Foam Filler Caster Wheel	All	Ball Bearing Assembly - Sealed	120-5378	
		11	10" Segmented Caster Wheel	All	Ball Bearing Assembly - Flanged	251-321	
	72" Flex	21	Blade Spindle	All	Bearing & Spacer Set	71-2530	
		6	Caster Wheel	All	Roller Bearing Cage Assembly	62-5570	
		6	Caster Wheel	All	Bearing - Flange	62-5580	
		10	Foam Filler Caster Wheel	All	Ball Bearing Assembly - Sealed	120-5378	
		11	10" Segmented Caster Wheel	All	Ball Bearing Assembly - Flanged	251-321	
	88" TriFlex	6	Front Caster Wheel	1988-1990	Roller Bearing Cage Assembly	62-5570	
		6	Front Caster Wheel	1991-1994	Roller Bearing Cage Assembly	83-4740	
		6	Front Caster Wheel	All	Bearing - Flange	62-5580	
		6	Rear Caster Wheel	All	Roller Bearing Cage Assembly	63-8580	
		6	Rear Caster Wheel	All	Bearing - Flange	62-5580	
	10	Foam Filler Caster Wheel	All	Ball Bearing Assembly - Sealed	120-5378		
		11	10" Segmented Caster Wheel	All	Ball Bearing Assembly - Flanged	251-321	
		Debris Blower	6	Caster Wheel	All	Roller Bearing Cage Assembly	83-4740
			6	Caster Wheel	All	Bearing - Flange	62-5580
		Traction Unit	13	Engine Output Shaft Support	All	Ball Bearing - Self Aligning w/Collar	251-252
	13		PTO Shaft Support	All	Ball Bearing - Self Aligning w/Collar	251-252	
	8		Neutral Centering Device	All	Ball Bearing Assembly - Sealed	251-259	
	12		Front Axle - Outer Bearing	All	Roller Bearing Assembly	21-8180	
	16		2WD Rear Wheel - In/Out	All	Roller Bearing Assembly - Tapered Cone	254-94	
	17		2WD Rear Wheel - In/Out	All	Bearing Race - Tapered Cup	254-72	
	8		4WD Rear Axle Knuckle	1991-1998	Ball Bearing Assembly - Sealed	251-347	
	<b>Groundsmaster 360</b>		Traction Unit	17	2WD Wheel Motor & Spindle Assembly	All	Bearing Race - Tapered Cup
16		2WD Wheel Motor & Spindle Assembly		All	Roller Bearing Assembly - Tapered Cone	254-92	
<b>Groundsmaster 455D</b>	126" Quadfloat	21	Blade Spindle	All	Bearing & Spacer Set	71-2530	
		10	Caster Wheels	1996-2003	Ball Bearing Assembly - Sealed	120-5378	
		11	Segmented Caster Wheels	1992-2000	Ball Bearing Assembly - Flanged	251-321	
	Traction Unit	8	Neutral Centering Device	All	Ball Bearing Assembly - Sealed	251-259	
		16	2WD Rear Wheel - Inner	1992-1993	Roller Bearing Assembly - Tapered Cone	254-92	
		17	2WD Rear Wheel - Inner	1992-1993	Bearing Race - Tapered Cup	254-72	
		16	2WD Rear Wheel - Inner	1994 on	Roller Bearing Assembly - Tapered Cone	254-106	
		17	2WD Rear Wheel - Inner	1994 on	Bearing Race - Tapered Cup	254-107	
		16	2WD Rear Wheel - Outer	All	Roller Bearing Assembly - Tapered Cone	254-92	
		17	2WD Rear Wheel - Outer	All	Bearing Race - Tapered Cup	254-72	

**QUICK REFERENCE GUIDE**  
**BEARINGS**

Equipment	Application	Fig. No.	Component	Year	Description	Part No.		
<b>Groundsmaster 580D</b>	Center/Wing Decks*	21	Blade Spindle	All	Bearing & Spacer Set	71-2530		
		11	Caster Wheels	1989-1995	Ball Bearing Assembly - Flanged	251-321		
		10	Caster Wheels	1995 on	Ball Bearing Assembly - Sealed	120-5378		
	Traction Unit	8	Neutral Centering Device	All	Ball Bearing Assembly - Sealed	251-259		
		5	Hydraulic Pump Drive Shaft	1995 on	Cross & Bearing Assembly	92-4187		
		16	2WD Rear Wheel - Inner	All	Roller Bearing Assembly - Tapered Cone	254-106		
		17	2WD Rear Wheel - Inner	All	Bearing Race - Tapered Cup	254-107		
		16	2WD Rear Wheel - Outer	All	Roller Bearing Assembly - Tapered Cone	254-92		
		17	2WD Rear Wheel - Outer	All	Bearing Race - Tapered Cup	254-72		
					Bearing - Flange, 2 Bolt	All	Bearing - Flange, 2 Bolt	140-7039
	<b>Groundsmaster 1200</b>							
	<b>Groundsmaster 3000/3000D</b>	72" Decks	21	Blade Spindle	All	Bearing & Spacer Set	71-2530	
			10	Front Caster Wheel	All	Ball Bearing Assembly - Sealed	120-5378	
Debris Blower		6	Caster Wheel	All	Roller Bearing Cage Assembly	83-4740		
		6	Caster Wheel	All	Bearing - Flange	62-5580		
Rotary Broom		10	Front Caster Wheel	All	Ball Bearing Assembly - Sealed	120-5378		
Traction Unit		16	2WD Rear Wheel - In/Out	1996-1998	Roller Bearing Assembly - Tapered Cone	254-94		
		16	2WD Rear Wheel - In/Out	1999-2000	Roller Bearing Assembly - Tapered Cone	254-92		
		17	2WD Rear Wheel - In/Out	All	Bearing Race - Tapered Cup	254-72		
<b>Groundsmaster 3280D/3320</b>	52" SD Deck	6	Front Caster Wheel	All	Roller Bearing Cage Assembly	62-5570		
		6	Front Caster Wheel	All	Bearing - Flange	62-5580		
	60"/62"/72"	10	Front Caster Wheel	All	Ball Bearing Assembly - Sealed	120-5378		
		8	Neutral Centering Device	All	Ball Bearing Assembly - Sealed	251-259		
	Traction Unit	12	Front Axle - Outer Bearing	All	Roller Bearing Assembly	21-8180		
		16	2WD Rear Wheel - In/Out	All	Roller Bearing Assembly - Tapered Cone	254-94		
		17	2WD Rear Wheel - In/Out	All	Bearing Race - Tapered Cup	254-72		
				10	Front Caster Wheel	All	Ball Bearing Assembly - Sealed	120-5378
				*	Impact Arm	2010 on	Bearing - Plastic	105-4552
				10	Front Caster Wheel	All	Ball Bearing Assembly - Sealed	120-5378
<b>Groundsmaster 4000D/4100D</b>	132"/124 RD	10	Front Caster Wheel	All	Ball Bearing Assembly - Sealed	120-5378		
				10	Front Caster Wheel	All	Ball Bearing Assembly - Sealed	120-5378
	Rotary Broom	10	Front Caster Wheel	All	Ball Bearing Assembly - Sealed	120-5378		
<b>Groundsmaster 3500D/3505D</b>	27" RD Deck	10	Front Rollers	All	Ball Bearing Assembly - Sealed	120-3366		
		8	Rear Roller	2000-2003	Ball Bearing Assembly - Sealed	251-347		
		7	Rear Roller	2004-2006	Ball Bearing Assembly - Outer Seal only	109966		
	Traction Unit	7	Rear Roller	2007 on	Ball Bearing Assembly - Outer Seal only	112-5290		
		8	Neutral Centering Device	All	Ball Bearing Assembly - Sealed	251-259		
		16	2WD Rear Wheel - In/Out	All	Roller Bearing Assembly - Tapered Cone	254-94		
		17	2WD Rear Wheel - In/Out	All	Bearing Race - Tapered Cup	254-72		
<b>Groundsmaster 4500D/4700D</b>	27" RD Deck	10	Front Rollers	All	Ball Bearing Assembly - Sealed	120-3366		
		8	Rear Roller	2000-2003	Ball Bearing Assembly - Sealed	251-347		
		7	Rear Roller	2004-2006	Ball Bearing Assembly - Outer Seal only	109966		
		7	Rear Roller	2007 on	Ball Bearing Assembly - Outer Seal only	112-5290		

**QUICK REFERENCE GUIDE**  
**BEARINGS**

Equipment	Application	Fig. No.	Component	Year	Description	Part No.
<b>Groundsmaster 5900/5910</b>	Traction Unit		Piston Pump Assembly	2013 & on	Bearing - Roller	125-5279
			Center Front Deck	All	Bearing - Spherical	105-7441
			Double Driven Spindle	All	Bearing Assembly	110-8297
			High Driven Spindle	All	Bearing Assembly	110-8297
			Driving Spindle	All	Bearing Assembly	110-8297
			Driving Spindle Assembly	2016 & on	Bearing Spacer Set	108-1954
			10" Wheel Assembly	2011 & on	Bearing - 10" Wheel	120-3366
			LH Deck Connection	2008 & on	Cross & Bearing Kit	104-4299
	Traction Pedal	All	Bearing - Mount, Flange	256-236		
<b>Groundsmaster 7200/7210</b>	62"/72" Deck	16	Front Caster Wheel Fork	All	Roller Bearing Assembly - Tapered Cone	254-106
		17	Front Caster Wheel Fork	All	Bearing Race - Tapered Cup	254-107
<b>Aerator</b>						
<b>ProCore 440</b>	Aerator	8	Flywheel Shaft	All	Ball Bearing Assembly - Sealed	100-5396
		8	Stomper Arm	All	Ball Bearing Assembly - Sealed	100-7599
		10	Bottom Link Arm	All	Ball Bearing Assembly - Sealed	100-7621
<b>ProCore 660/880</b>	Aerator	8	Flywheel Shaft	All	Ball Bearing Assembly - Sealed	100-5396
		8	Stomper Arm	All	Ball Bearing Assembly - Sealed	100-5386
		10	Bottom Link Arm	All	Ball Bearing Assembly - Sealed	100-7621
<b>ProCore 648</b>	Aerator	8	Neutral Centering Device	All	Ball Bearing Assembly - Sealed	251-259
		8	Crank Arm	All	Ball Bearing Assembly - Sealed	105-0965
		8	Stomper Arm	All	Ball Bearing Assembly - Sealed	106-8871
<b>ProCore 864/1298</b>	Aerator	8	Crank Arm Housing	All	Ball Bearing Assembly - Sealed	110-4555
		8	Stomper Arm	All	Ball Bearing Assembly - Sealed	110-4556
		5	Drive Shaft (Shielded)	All	Cross & Bearing Assembly	110-4635
		5	Drive Shaft	All	Cross & Bearing Assembly	110-4641
		8	Drive Pulley Support	All	Ball Bearing Assembly - Sealed	106-8871
<b>ProCore Processor</b>	Aerator	16	Wheel - Inner	All	Roller Bearing Assembly - Tapered Cone	254-106
		17	Wheel - Inner	All	Bearing Race - Tapered Cup	254-107
		16	Wheel - Outer	All	Roller Bearing Assembly - Tapered Cone	254-92
		17	Wheel - Outer	All	Bearing Race - Tapered Cup	254-72
<b>Hydroject 3000/3010</b>	Aerator	8	Neutral Centering Device	All	Ball Bearing Assembly - Sealed	251-259
		16	Rear Wheel - In/Out	All	Roller Bearing Assembly - Tapered Cone	254-94
		17	Rear Wheel - In/Out	All	Bearing Race - Tapered Cup	254-72
<b>Hydroject Hitch Kit</b>	Aerator	11	Caster Wheel	All	Ball Bearing Assembly - Flanged	251-321

**QUICK REFERENCE GUIDE**  
**BEARINGS**

Equipment	Application	Fig. No.	Component	Year	Description	Part No.
<b>Workman*</b>						
<b>Workman 1110/2110</b>	Vehicle	8	Steering Gearbox	All	Ball Bearing Assembly - Sealed	251-82
		8	Steering Gearbox	All	Ball Bearing Assembly - Sealed	38-7820
		8	Shift Lever Detent	All	Ball Bearing Assembly - Sealed	251-259
		16	2WD Front Wheel - Inner	All	Roller Bearing Assembly - Tapered Cone	254-106
		17	2WD Front Wheel - Inner	All	Bearing Race - Tapered Cup	254-107
		16	2WD Front Wheel - Outer	All	Roller Bearing Assembly - Tapered Cone	254-94
		17	2WD Front Wheel - Outer	All	Bearing Race - Tapered Cup	254-72
<b>Workman 1300D</b>	Vehicle	5	Rear Axle Shafts	All	Cross & Bearing Assembly	92-4187
		19	Rear Axle Housings	All	Bearing & Retainer Set	87-1970
<b>Workman 3100</b>	Vehicle	5	Rear Axle Shafts	All	Cross & Bearing Assembly	92-4187
		19	Rear Axle Housings	All	Bearing & Retainer Set	87-1970
		16	2WD Front Wheel - Inner	All	Roller Bearing Assembly - Tapered Cone	254-106
		17	2WD Front Wheel - Inner	All	Bearing Race - Tapered Cup	254-107
		16	2WD Front Wheel - Outer	All	Roller Bearing Assembly - Tapered Cone	254-94
		17	2WD Front Wheel - Outer	All	Bearing Race - Tapered Cup	254-72
		20	Clutch Release	2006 on	Thrust Bearing w/Brackets	110-2538
		4	Transaxle Main Shaft	All	Ball Bearing Assembly - Single Row	251-8
		*	Gearshaft Assembly	All	Bearing - Ball	251-346
		<b>Workman 3200/3300/3400</b>	Vehicle	8	Hydraulic Pump Drive Shaft	All
5	Rear Axle Shafts			All	Cross & Bearing Assembly	92-4187
19	Rear Axle Housings			All	Bearing & Retainer Set	87-1970
16	2WD Front Wheel - Inner			All	Roller Bearing Assembly - Tapered Cone	254-106
17	2WD Front Wheel - Inner			All	Bearing Race - Tapered Cup	254-107
16	2WD Front Wheel - Outer			All	Roller Bearing Assembly - Tapered Cone	254-94
17	2WD Front Wheel - Outer			All	Bearing Race - Tapered Cup	254-72
20	Clutch Release			2006 on	Thrust Bearing w/Brackets	110-2538
4	Transaxle Main Shaft			All	Ball Bearing Assembly - Single Row	251-8
*	Gearshaft Assembly			All	Bearing - Ball	251-346
<b>Workman 4200/4300</b>	Vehicle	8	Hydraulic Pump Drive Shaft	All	Ball Bearing Assembly - Sealed	251-82
		5	Rear Axle Shafts	All	Cross & Bearing Assembly	92-4187
		19	Rear Axle Housings	All	Bearing & Retainer Set	87-1970
		20	Clutch Release	2006 on	Thrust Bearing w/Brackets	110-2538
		4	Transaxle Main Shaft	All	Ball Bearing Assembly - Single Row	251-8
*	Gearshaft Assembly	All	Bearing - Ball	251-346		
<b>Workman MDE</b>	Vehicle	8	Steering Gearbox	All	Ball Bearing Assembly - Sealed	251-82
		8	Steering Gearbox	All	Ball Bearing Assembly - Sealed	38-7820
		16	2WD Front Wheel - Inner	All	Roller Bearing Assembly - Tapered Cone	254-106
		17	2WD Front Wheel - Inner	All	Bearing Race - Tapered Cup	254-107
		16	2WD Front Wheel - Outer	All	Roller Bearing Assembly - Tapered Cone	254-94
		17	2WD Front Wheel - Outer	All	Bearing Race - Tapered Cup	254-72



**QUICK REFERENCE GUIDE**  
**BELTS**

Equipment	Description	Application	Part No.
<b>Greensmaster® Riders</b>			
<b>Greensmaster 500</b>	V-Belt	Transmission/Clutch	95-1811
<b>Greensmater 800</b>	Belt	Reel Drive	65-6200
	Belt	Transport Wheel Drive	65-6210
	Belt	Drum Drive	65-9080
	Belt	Groomer Drive	65-9700
	V-Belt (Set of 2)	Countershaft Drive	92-9218
<b>Greensmaster 1000</b>	Belt	Reel Drive	65-6200
	Belt	Transport Wheel Drive	65-6210
	Belt	Drum Drive	65-9080
	Belt	Groomer Drive	65-9700
	V-Belt (Set of 2)	Countershaft Drive (1990-95 - 04050 & 04051)	65-7270
<b>Greensmaster 1600/2600</b>	V-Belt (Set of 2)	Countershaft Drive (1995 & on - 04052)	92-9218
	Belt	Reel Drive	65-6200
	Belt	Transport Wheel Drive	65-6210
	Belt	Drum Drive	65-9080
	Belt	Groomer Drive	65-9700
<b>Greensmaster Flex 18/1820</b>	V-Belt (Set of 2)	Countershaft Drive	92-9218
	Belt	Reel Drive	99-2022
	Belt	Drum Drive	117-1353
	Belt	Groomer Drive	120-2763
	Belt	Reel Drive	115-6743
	Belt	Drum Drive	115-6744
	Belt	Reel Drive	99-2022
	Belt	Drum Drive (2001-2005)	99-2023
	Belt	Drum Drive (2006 & on)	117-1353
	Belt	Groomer Drive	120-2763
	Belt	Reel Drive	115-6743
	Belt	Drum Drive	115-6744
	<b>Greensmaster 3000D</b>	V-Belt	Alternator/Water Pump Drive (1989-1996)
<b>Greensmaster Cutting Units</b>		Multi-Row V-Belt	Groomer Drive (3050 & 3200 Style Cutting Units)
	Belt	Groomer Drive (3/300/3000 Style Cutting Units)	65-9700
	Belt	Groomer Drive (DPA Cutting Units)	120-2763
	V-Belt	Right Hand Roller Brush Assembly	105-5720
<b>Greensmaster 3300/3320/3400 3420</b>	V-Belt	Alternator/Engine ASM	119-4486
	V-Belt	Generator & Engine Frame ASM	117-4464

Equipment	Description	Application	Part No.
<b>Reelmaster®</b>			
<b>Reelmaster 216</b>	V-Belt	Reel Drive	61-3380
	Belt	Jackshaft Drive	61-3390
	Multi-Row V-Belt	Pump Drive	61-3400
<b>Reelmaster 216D</b>	V-Belt	Cooling Fan Drive	83-9020
	Multi-Row V-Belt	Jackshaft Drive	92-3187
<b>Reelmaster 2000D/2300D/2600D</b>	Multi-Row V-Belt	Pump Drive	93-6840
	<b>Reelmaster 3100D</b>	Multi-Row V-Belt	Pump Drive
V-Belt		Alternator Drive	130-1241
Belt		Reel Drive	47-7160
Belt		Dethatcher Reel Drive	47-7160
Belt		Timing Belt	74-8830
<b>Reelmaster 335D/3500D/3550D/3555D/3575D</b>	V-Belt	Alternator & Pulley System	104-3494
	3V-Belt	Piston Pump & Gear ASM	99-3619
	<b>Reelmaster 450D</b>	Belt	Reel Drive
Belt		Dethatcher Reel Drive	47-7160
Belt		Fan Belt	62-6390
<b>Reelmaster 4000D</b>		Belt	Reel Drive
	Belt	Dethatcher Reel Drive	47-7160
	V-Belt	Alternator Drive	98-7705
<b>Reelmaster 4500D</b>	Belt	Reel Drive	47-7160
	Belt	Dethatcher Reel Drive	47-7160
<b>Reelmaster 223D/5100D/5300D</b>	V-Belt	Alternator/Water Pump Drive	67-4410
	<b>Reelmaster 5200D/5400D</b>	V-Belt	Alternator Drive
Belt		Rear Roller Brush Drive	108-6709
<b>Reelmaster 5500D</b>		V-Belt	Cooling Fan Drive
	V-Belt	Alternator Drive	98-9676
	Belt	Rear Roller Brush Drive	108-6713
	Belt	Groomer Drive	108-0617
	<b>Reelmaster 5210/5410</b>	V-Belt	Alternator Drive
Belt		Rear Roller Brush Drive	110-1746
Belt		Groomer Drive	108-4497
<b>Reelmaster 5510/5610</b>	V-Belt	Alternator Drive	98-9676
	Belt	Rear Roller Brush Drive	110-1747
	Belt	Groomer Drive	110-1716

Equipment	Description	Application	Part No.
<b>Reelmaster 6500D/6700D</b>	Multi-Row V-Belt	Alternator Drive - Peugeot	94-3256
	V-Belt	Alternator Drive - Kubota	98-9676
	Belt	Rear Roller Brush Drive	108-6713
	Belt	Timing Belt (1995-2001 serial Up to 210999999)	74-8830
	Belt	Rear Roller Brush Drive (SPA Cutting Units)	108-6713
	Belt	Groomer Drive (SPA Cutting Units)	108-0617
	Belt	Rear Roller Brush Drive (DPA Cutting Units)	110-1747
	Belt	Groomer Drive (DPA Cutting Units)	110-1716
		Alternator/Pulley ASM	120-5824
	<b>Groundsmaster®</b>		
<b>Groundsmaster 52</b>	V-Belt	PTO Drive (2 Req'd.)	41-9150
	<b>Groundsmaster 62</b>	Multi-Row V-Belt	PTO Drive
<b>Groundsmaster 217D</b>		Multi-Row V-Belt	PTO Drive
	<b>Groundsmaster 220</b>	Multi-Row V-Belt	PTO Drive
<b>Groundsmaster Series Decks 52/62/200</b>		V-Belt	52" RD & SD Deck Spindle Drive
	V-Belt	62" RD & SD Deck Spindle Drive	44-6260
	V-Belt	62" Guardian Spindle Drive	92-5588
<b>Groundsmaster 224</b>	V-Belt	72" SD Deck - Spindle Drive	57-0240
	<b>Groundsmaster 223D</b>	V-Belt	PTO Drive
V-Belt		Alternator/Water Pump Drive (1992-1997)	67-4410
<b>Groundsmaster 224</b>	V-Belt	PTO Drive	63-6240
	V-Belt	Alternator/Water Pump Drive	67-4410
<b>Groundsmaster 225</b>	V-Belt	PTO Drive	63-6240
	V-Belt	Alternator/Water Pump Drive (1999-2004)	99-9156
<b>Groundsmaster 228D</b>	V-Belt	PTO Drive	63-6240
	V-Belt	Alternator/Water Pump Drive	104-3494
<b>Groundsmaster 322D/325D</b>	Multi-Row V-Belt	PTO Drive	106-4383
	V-Belt	Alternator Drive	42-9100
	Belt	Fan Belt	43-5910

**QUICK REFERENCE GUIDE**  
**BELTS**

Equipment	Description	Application	Part No.
<b>Groundsmaster 327</b>	Multi-Row V-Belt	PTO Drive	106-4383
	<b>Groundsmaster 328D</b>	V-Belt	Alternator Drive
Multi-Row V-Belt		PTO Drive	106-4383
Belt		Fan Belt	105-3693
<b>Groundsmaster 345</b>	Multi-Row V-Belt	PTO Drive	106-4383
	V-Belt	Fan Belt	67-8510
	V-Belt	Alternator Drive (1994-2004)	92-9785
<b>Groundsmaster 300 Series Decks</b>	V-Belt	72" RD & SD Deck Spindle Drive (3 Req'd.)	21-0890
	Hex-Belt	72" Guardian Deck Spindle Drive	93-8457
	V-Belt	88" Triflex Center Deck Spindle Drive	63-1510
	V-Belt	88" Triflex Wing Decks Spindle Drive	72-3760
	V-Belt	72" Flex Deck Center Deck Spindle Drive	99-9770
<b>Groundsmaster 1200</b>	V-Belt	72" Flex Deck Wing Deck Spindle Drive	99-9771
	V-Belt	GM 1200 Deck	137-3644
<b>Groundsmaster 3000/3000D</b>	V-Belt	GM 1200 Deck	137-3645
	Hex-Belt	72" SD & RD & Guardian Spindle Drive	93-8457
<b>Groundsmaster 3280D</b>	V-Belt	84" RD & Guardian Wing Deck Drive	93-4839
	Hex-Belt	84" RD & Guardian Center Deck Drive	93-4838
<b>Groundsmaster 3320</b>	Multi-Row V-Belt	PTO Drive	63-6240
	V-Belt	Alternator/Water Pump Drive	104-3494
<b>Groundsmaster 360</b>	Multi-Row V-Belt	PTO Drive	63-6240
	V-Belt	Alternator/Water Pump Drive	99-9156
	V-Belt	Engine Component Assembly	115-0123
	V-Belt	Air Conditioning Assembly	117-3399
	V-Belt	72" Guardian Deck Right Spindle Drive	110-9592
<b>Groundsmaster 328D</b>	V-Belt	72" Guardian Deck Left Spindle Drive	110-9593
	V-Belt	72" SD Deck Left Spindle Drive	110-9591
	V-Belt	72" SD Deck Right Spindle Drive	110-9590

## QUICK REFERENCE GUIDE BELTS

Equipment	Description	Application	Part No.
<b>Groundsmaster 3500D/3505D</b>	V-Belt	Alternator Drive	98-9676
	Multi-Row V-Belt	Hydrostat Drive	99-3619
<b>Groundsmaster 4000D</b>	V-Belt	Spindle Drive	55-7660
	V-Belt	Alternator Drive	98-7705
<b>Groundsmaster 4100D</b>	V-Belt	Alternator Drive	98-7705
<b>Groundsmaster 4300D</b>	V-Belt	Fan / Alternator	98-9676
<b>Groundsmaster 4500D/4700D</b>	V-Belt	Alternator Drive	98-7705
<b>Groundsmaster 455D</b>	Multi-Row V-Belt	Alternator Drive	94-3256
	V-Belt	Wing Decks - Spindle Drive (1992-00 #20000200)	86-1960
	V-Belt	Wing Decks - Spindle Drive (2000 #20000201-03)	100-2588
	V-Belt	126" Quadfloat Center Deck - Spindle Drive	86-1970
	Belt	Timing Belt	74-8830
<b>Groundsmaster 580D</b>	Hex-Belt	Center Deck - Spindle Drive	93-8457
	V-Belt	Wing Deck - Spindle Drive	99-2318
<b>Groundsmaster 5900/5910</b>	V-Belt	Center Deck - Spindle Drive	112-7376
	V-Belt	Center & Wing Deck Spindle Drive	112-7377
<b>Groundsmaster 7200/7210</b>	V-Belt	Alternator Drive	98-9676
	V-Belt	62" Guardian Deck Left Spindle Drive	110-9595
	V-Belt	62" Guardian Deck Right Spindle Drive	110-9594
	V-Belt	72" Guardian Deck Left Spindle Drive	110-9593
	V-Belt	72" Guardian Deck Right Spindle Drive	110-9592
	V-Belt	72" SD Deck Left Spindle Drive	110-9591
	Belt Drive	60" SD Deck - Spindle Drive	105-0887
	V-Belt	60" SD Deck - Spindle Drive	67-6920

Equipment	Description	Application	Part No.
<b>Aerator</b>			
<b>ProCore 440</b>	V-Belt	72" SD Deck Right Spindle Drive	110-9590
	Multi-Row V-Belt	Stomper Arm Drive	100-7644
<b>ProCore 660/880</b>	Multi-Row V-Belt	Tine Drive	100-5392
	Multi-Row V-Belt	Stomper Arm Drive	100-5392
<b>ProCore 648</b>	Multi-Row V-Belt	Primary Drive Belt	105-0989
	Multi-Row Belt	Secondary Drive Belt	105-0991
<b>ProCore 864/1298</b>	Multi-Row Belt	Secondary Drive Belt	110-4327

Equipment	Description	Application	Part No.
<b>Workman*</b>			
<b>Workman 1100</b>	Multi-Row Belt	Transmission Drive	99-7143
<b>Workman 1300D</b>	V-Belt	Hydraulic Pump Drive	93-7140
	V-Belt	Alternator/Water Pump Drive	98-2947
<b>Workman 2100/2110</b>	V-Belt	Starter	99-7133
	V-Belt	CVT Transmission Drive	99-7144
<b>Workman 3100/3120</b>	V-Belt	Hydraulic Pump Drive	87-8370
<b>Workman 3200/4200</b>	V-Belt	Governor Drive (1993-2001)	87-3200
	V-Belt	Hydraulic Pump Drive (1993-2001)	87-3210
	V-Belt	Hydraulic Pump Drive (2002 & on)	93-7140
	V-Belt	Alternator/Water Pump Drive (1993-2001)	92-2041
	V-Belt	Alternator/Water Pump Drive (2002 & on)	99-9156
	<b>Workman 3210/3220/3420</b>	V-Belt	Governor Drive
	V-Belt	Alternator/Water Pump Drive	92-2041
	<b>Workman 3300D/4300D</b>	V-Belt	Hydraulic Pump Drive (1993-1997)
V-Belt		Hydraulic Pump Drive (1998 & on)	93-7140
	V-Belt	Alternator/Water Pump Drive (1993-1997)	67-4410
	V-Belt	Alternator/Water Pump Drive (1998-2001)	98-2947
	V-Belt	Alternator/Water Pump Drive (2002 & on)	99-9156
	<b>Workman 3310D/3320D</b>	V-Belt	Hydraulic Pump Drive
V-Belt		Alternator/Water Pump Drive	98-2947
<b>Workman MD</b>	V-Belt	Starter	112-3131
	Multi-Row Belt	Transmission Drive	99-7143
<b>Workman MDX</b>	V-Belt	Starter	112-2911
	Multi-Row Belt	Transmission Drive	112-2912
	V-Belt	Engine, Clutch/ Air Cleaner	136-6296
<b>Workman MDX-D</b>	V-Belt	Starter	112-2511
<b>Workman HD</b>	V-Belt	Hydraulic Pump Drive	87-8370
<b>Workman HDX/ HDX-D</b>	V-Belt	Alternator/Water Pump Drive (2009-2013)	117-4922
	V-Belt	Alternator/Water Pump Drive (2013 & on)	110-3796
<b>Workman HDX Auto</b>	Belt-CVT	Belt-Gearbox Assembly	121-9612

## QUICK REFERENCE GUIDE BELTS

Equipment	Description	Application	Part No.
<b>Multi Pro*</b>			
<b>1100</b>	Belt	Traction Drive	41679*
<b>1200</b>	Belt	Engine & Gearbox Assembly	117-5896
<b>1250</b>	Belt	Engine & Gearbox Assembly	117-5896
<b>1750</b>	Belt Synchronous	Engine Mount	125-0765
<b>5700</b>	V-Belt	Alternator Drive	98-9676
<b>5800</b>	V-Belt	Alternator Drive	98-9676
<b>Specialty Turf Equipment</b>			
<b>ProCore Core Processor</b>	V-Belt	Engine Drive (Set of 3)	110-2772
	V-Belt	Chopper Drive	115-8957
	Belt	Brush Drive	112-4254
	V-Belt	Corner Shaft	115-2951
<b>Rac-O-Vac Sweeper</b>	V-Belt	Engine & Clutch / Muffler Assembly	13-2650
	V-Belt	Impeller / Engine, Clutch & Muffler Assembly	93-0183
	V-Belt	Guard Assembly	93-4034
<b>ProStripe 560</b>	Belt	Belt-Variator (520)	411024

# PARTS LIST







**PARTS LIST**

Part No.	Description
104-2646	Bedknife-Highcut
104-3355	Rod-Spring
104-3357	Carrier Frame ASM
104-3365	Rod-Support
104-3366	Spacer
104-3373-01	RH HOC Bracket ASM
104-3375-01	LH HOC Bracket ASM
104-3388	Seal-Grease
104-3394	Spring-Compression
104-3396	Screw-HH
104-3398	Housing-Bearing, Mach
104-3399	Bearing Housing ASM
104-3494	Belt-V
104-3502	Hose ASM
104-3537	Pin-Cylinder
104-3541	Hub-Spider
104-3542	Spider
104-3545	Pulley-Driving
104-3546	Pulley-Driven, Low
104-3547	Pulley-Driven, Double
104-3548	Pulley-Driven, High
104-3554	Shaft-Spindle
104-3563	Indicator
104-3661	Bracket-Spring
104-3797	Fitting-Straight
104-3928	LH Brake Lever ASM
104-4046	Bearing-Cup
104-4212	Ring-Retaining, Spiral
104-4229	Rear Carrier Frame ASM
104-4246	Fan-Engine
104-4299	Cross & Bearing Kit
104-4569-03	Blade-24.75"
104-4623-01	Tube & End Cap ASM
104-4624-03	Bracket-HOC, LH
104-4641	Shim-HOC, .030"
104-4727	Ring-Retaining
104-4754	Spring-Detent
104-4809	Drum-Brake
104-4817	Lever-Brake
104-4819-03	Bracket-Pivot, LH
104-4820-03	Bracket-Stop, Carrier
104-4821	Spring-Torsion
104-4825-03	Bracket-Pivot, RH
104-4827-03	Actuator-LH
104-4828-03	Bracket-Actuator

Part No.	Description
104-4834	Muffler
104-4836	Fitting-Tee
104-4840	Tank-Hyd
104-4852-03	Pedal-Traction
104-4853-03	Screen-Hood
104-4855-03	Frame-Radiator
104-4890	Piston Pump ASM
104-5169	Filter-Oil
104-5183	Blade-Lift, High
104-5190-03	Panel-Control
104-5207	Hose-Turbo
104-5214	Spacer-Tubular
104-5215	Pump-Fuel, Electric
104-5428	Bracket-Oil Cooler, Top
104-5429	Clamp-Form, Wire
104-5460-03	Plate-Mount, Oil Cooler
104-5464	Hose-Hyd
104-5483	Hose-Hyd
104-5498	Hose-Hyd
104-5499	Hose-Hyd
104-5500	Hose-Hyd
104-5501	Hose-Hyd
104-5502	Hose-Hyd
104-5504	Hose-Hyd
104-5505	Hose-Hyd
104-5511	Hose-Hyd
104-5512	Hose-Hyd
104-6126	Washer-Flat
104-6478	Spring-Extension
104-6500	Drum-Brake
104-7064	Tire (22 x 9.50-10) 4-Ply T
104-7179	Pivot-Pedal
104-7201	Nut-HF, NI
104-7520	Spring-Damper
104-7521	Bushing
104-7524	Shim
104-7529-01	Bracket-Castor
104-7546	Tank Strainer ASM
104-7547	Cable-Throttle
104-7705	Brake ASM
104-7706	E-Ring, Bowed
104-7707	Shaft-Cam, Brake
104-7708	Brake Cam & E-Ring ASM
104-7719	Ball Joint ASM
104-7738	Bushing-Flange

Part No.	Description
104-7851	Fitting-Hyd, 45 Degree
104-8162	Battery
104-8215	Collar Kit
104-8216	Screw-SQH
104-8219	Grass Basket ASM
104-8300	Nut-HF, NI
104-8301	Nut-HF, NI
104-8322	Washer-Hardened
104-8330-03	Bracket-Cam
104-8331	End-Rod, Spherical
104-8341	Bushing-Straight
104-9219	Disc-Clutch
10-4930-01	Bar-Bed
104-9312	Pin-Grooved
104-9314	RM5500 Reel Drive Hose Kit
104-9317	RM52/5400 Reel Drive Hose
104-9321	Hyd Hose ASM
104-9322	Hyd Hose ASM
104-9323	Hose-Hyd
104-9447	Adapter-Motor
104-9480	Shaft-Roller
104-9483	Deflector ASM
104-9492-03	Scraper ASM
104-9838	Grip-Foam
104-9875	Tine-Side Eject, HD 3/4 x
104-9876	Tine-Side Eject, HD 5/8 x
104-9877	Tine-Side Eject, 7/8 x 5.
104-9914	Nut-Hex
105-0000	Spacer-Fan
105-0023	Switch-Proximity
10-5010	Screw-Adjustment, Roller
105-0131	Strainer-Tank, Oil
105-0139	RM6000 Reel Drive Hose Kit
105-0140	RM6700 Reel Drive Hose Kit
105-0150	Seal-Grease
105-0156	Shaft-Roller
105-0158	Shaft-Roller
105-0171-03	Weight-End
105-0172	Spacer
105-0173	Washer
105-0177	Spacer
105-0191	Full Roller ASM
105-0194	Shaft-Roller
105-0195-01	Shield-Grass, Rear ASM
105-0418-01	Arm-Steering

Part No.	Description
105-0452	Pivot Hinge ASM
105-0463-01	Plate-Footrest
105-0464-03	Plate-Seat
105-0494	Hydrostat ASM
105-0499-03	Panel-Control
10-5060	Bracket-HOC
105-0750	Fan
105-0775	Steering Cylinder ASM
10-5080-01	Cap-End
105-0836	Cable-Battery, Black
105-0887	Belt-Drive, PTO
105-0965	Bearing-Ball
105-0989	Belt-3v
105-0991	Belt-Banded, 4 Groove
105-1032-03	Clamp-Holder, 4 Tine
105-1036-03	X-Ref 105-1036-0P
105-1036-0P	3 Tine Holder ASM
105-1038-03	Clamp-Holder, 3 Tine
105-1045-03	X-Ref 105-1045-0P
105-1045-0P	4 Tine Holder ASM
105-1098-03	Clamp-Tine, Needle
105-1099	X-Ref 140-8823
105-1180	Tine-Hollow, 1/2 x 6.50
105-1184	Tine Holder
105-1212	Hose-Hyd
105-1213	Hose-Hyd
105-1214	Hose-Hyd
105-1215	Hose-Hyd
105-1216	Hose-Hyd
105-1218	Piston Motor ASM
105-1219	Hyd Motor ASM
105-1221	Hose ASM
105-1222	Hose ASM
105-1230	Plate-Scraper
105-1686	Spindle Shaft ASM
105-1904	Grip-Handle
105-2409	Screw-HSH
105-2439	Basket-Grass
105-2539	Cap
105-2806	End-Rod
105-2807-03	Plate
105-2808	End-Rod
105-2809	Tube-Link
105-3048	Washer-Flat
105-3249	Damper

Part No.	Description
105-3693	Belt-Fan
105-3800	Control Valve ASM
105-3822	Hyd Cylinder ASM
105-3823	Hyd Cylinder ASM
105-3824	Seal-Grease
105-3825	Housing-Bearing, RH
105-3826	Housing-Bearing, LH
105-3827	Bearing-Ball, Self Aligning
105-3828	Spacer
105-3833	Bolt-Eccentric
105-3834	Bolt-Shoulder
105-3835	Seal Kit
105-3836	Seal Kit
105-3838	Spacer
105-3912	Latch-Draw
105-3985	Hose-Hyd
105-4005-01	Plate-Side, RH ASM
105-4006-01	Plate-Side, LH ASM
105-4007-01	Frame ASM-Dethatcher
105-4011-03	Weight-End
105-4021	Rod-Support
105-4169	Coupler-Female
105-4170	Coupler-Male
105-4232	Switch
105-4302	Neutral Arm ASM
105-4320	Switch-Rocker, on-Off-(On
105-4327	Tube-Hyd, Case Drain
105-4332	Hose-Hyd
105-4333	Hose-Hyd
105-4337	Hose-Hyd
105-4338	Hyd Hose ASM
105-4339	Hose-Hyd
105-4340	Hyd Hose ASM
105-4342	Hose ASM
105-4347	Hose-Hyd
105-4548	Shaft-Spring
105-4549	Spacer-Roller
105-4550	Bushing-Straight
105-4551	Washer-Flat
105-4552	Bearing-Plastic
105-4579	Gauge-Oil
105-5342	Bolt-Plow - Special
105-5379	Nut-Spring
105-5392	Rivet-Drive
105-5394	Rod-Trailer, Large

Part No.	Description
105-5402	Hose-Hyd
105-5405	Hose-Hyd
105-5409	Hose ASM
105-5421-01	Pedal-Traction
105-5430	Rod-Connecting
105-5444	Cable-Lock, Neutral
105-5445	Cable-Traction
105-5460	Tube-Hyd
105-5482	Tube-Hyd
105-5493	Tube-Hyd
105-5700	Washer-Wave
105-5706	Nut-Lock, Bearing
105-5708	X-Ref 121-4609
105-5719	Cover
105-5720	Belt-V, Poly
105-5722	Pulley-Driver
105-5723	Spacer-Tube
105-5729	Housing-Bearing, RH
105-5730	Housing-Bearing, LH
105-5736	Shaft-Brush
105-5740	Hook-Lift
105-5761	Grommet
105-5769	Washer
105-5770	Nut-Shoulder
105-5774	Bolt-Shoulder
105-5775	Ring-Retaining
105-5795	Plate-Side, LH
105-5797	Plate-Side, RH
105-5799	Frame
105-6755	Housing-Bearing, LH
105-6758	Setscrew-SQH
105-6759	Housing-Bearing, RH
105-6761	Seal-Guard
105-6785	Bedknife-Lowcut (Fairway)
105-6792	Brush-Roller
105-7269	Kit-Tall Grass, Bahia 62/
105-7270	Std Blade/Belt Kit
105-7271	Blade/Belt Kit
105-7272	Std Blade/Belt Kit
105-7441	Bearing-Spherical
105-7443	Spacer-Pilot
105-7468	Stud-Tapered
105-7482	Pin-Latch
105-7507	Hub-Pivot, Joystick
105-7576	Gear Pump ASM

**PARTS LIST**

Part No.	Description	Part No.	Description	Part No.	Description	Part No.	Description	Part No.	Description	Part No.	Description
105-7577	Hyd Lift Block Manifold A	105-9928-01	Spindle ASM	106-3840	Pedal-Traction	106-6754	Decal-Danger	106-8541	RH Drive Cover ASM	107-1594	X-Ref 140-5552
105-7900	Hyd Hose ASM	105-9930-01	Hitch	106-3924	Bracket-Roller, Rear	106-6774	Joint-Ball	106-8542	LH Drive Cover ASM	107-1595	Roller Rebuild Kit
105-7901	Hyd Hose ASM	105-9935	Plug-Tube, Square	106-3925	Shim-Roller (0.25)	106-6895-03	Ball Joint ASM	106-8625	Blade-Carbide	107-1598	4 Bolt CU Rebuild Kit
105-7902	Hyd Hose ASM	105-9943	Washer-Thrust	106-3937	Carrier Frame ASM	106-6914	Ring-Snap, Internal	10-6870-03	Hub-Wheel	107-1977	Seal Kit
105-7903	Hyd Hose ASM	105-9945	Seal-Grease, Blue	106-4154	Floorplate ASM	106-6915	Pulley ASM	106-8871	Bearing-Ball	107-1997	Fitting-Grease
105-7927	Hose-Hyd	106-0003	V-Belt	106-4167	Joystick Bracket ASM	106-6917	Pulley-Driven	106-8872	Ring-Retaining	107-2043-03	Bracket-Oil Cooler, Top
105-7941	Nut-Hex, Slotted	106-0005	X-Ref 138-6465	106-4192	Spacer	106-6926	Seal-Grease	106-9004	Bumper	107-2062	Pin
105-8075	Insert-Threaded, RH	106-0006	Outer Spindle ASM	106-4214	Setscrew-SQH	106-6927	Sleeve	106-9091	Pin-Scraper	107-2077	Pin-Cylinder
105-8076	Insert-Threaded, LH	106-0022	Pulley-Outboard	106-4237	Bearing	106-6929	V-Ring	106-9093	Spring-RH	107-2084	Traction Cable ASM
105-8095-01	Bedbar-Fairway	106-0023	Pulley-Center	106-4269	Pulley-Drive, Double	106-6937	DPA Reel Seal Kit	106-9094	Spring-LH	107-2152	Hose-Suction
105-8118	Bearing-Cone	106-0631	Pack-Service, Blade (104-	106-4317	Support-Spring	106-6941	Seal	106-9095-01	Scraper ASM	10-7240	Sleeve-Pulley, Steering
105-8120	Bearing-Cone	10-6090	Pin-Pivot	106-4353-03	Blade-Atomic, 25", LH	106-6942	V-Ring	106-9288	Sensor-Proximity, Ferrous	107-2550	Cable-Control, Traction
105-8250	Console	106-1025	Plug-Hyd	106-4383	Belt-V, Banded	106-7159	O-Ring	106-9518	Screw-PRH	107-2552-01	Bracket-Bulkhead
105-8252-03	Bracket-Pod	106-1026	Plug-Hyd	106-4616	Screw-Spacer	106-7166-03	Blade-Combination (19"	106-9605	Bedbar Pivot Kit	107-2553	Rod End ASM
105-8265	Adjuster-Seat	106-1080-03	Rear Reel ASM	106-4620	Pivot Mount ASM	106-7536	Bedbar Adjuster ASM	106-9606	Roller Kit	107-2554	Decal-Panel, Control
105-8285	Hose-Inlet, Pump	106-1082	Bearing-Flange, 2 Bolt	106-4668	Nut-Lock	106-7865	Mount-Engine	106-9607	Full Roller Kit	107-2561	Nut-Hex
105-8288	Rod-Joystick	106-1085-03	Reel Spindle ASM	106-4669	Decal-Warning, Trailer	106-7962	Hose-Hyd	106-9618	Bushing-Rubber	107-2563	Seal Kit
105-8289	Spring-Torsion	106-1113	Tie Rod End ASM - RH Three	106-4675	Tongue ASM	106-7974	Hose-Hyd	106-9623	Bolt-Bedbar	107-2564	Seal Kit
105-8318	Washer-Flat	106-1128	Hose-Fuel	106-4689	Grass Basket ASM	10-6821	Brake Drum ASM	106-9627	Roller Brush ASM	107-2565	4 Section Gear Pump ASM
105-8536-01	Arm-Steering	106-2008	Washer-Thrust	106-4904	Element-Air Cleaner	10-6830	Stud-Type, Drive	106-9674	Hose-Hyd	107-2567	5 Section Gear Pump ASM
105-9156	Seal Kit	106-2271	Shaft-Pivot	106-5187	Battery, 525 CCA w/o Elec	106-8417	Spacer-Shaft, Drum	106-9691	Tire-4-Ply	107-2577	Gear Pump Kit - 5 Section
105-9159	Seal Kit	106-2416	Air Cleaner ASM	106-5190	Battery, 660 CCA w/o Elec	106-8428	Plate-Side, RH	106-9758	Screw-Carr	107-2580	Tube-Hyd
105-9202	No. 2 Lift Arm ASM	106-2600-01	Shield-Grass	106-5269	Ignition Switch ASM	106-8429	Plate-Side, LH	106-9888	Washer-Flat	107-2582	Tube-Hyd
105-9203	No. 3 Lift Arm ASM	106-2603	Screw-HSH	106-5270	Ignition Key Set	106-8437	Strap-Latch	107-0204	Hose ASM	107-2598	LH Lift Arm ASM
105-9238	Hose-Hyd	106-2607	O-Ring	106-5277	Air Cleaner ASM	106-8448	Bearing-Race, Extended	107-0214-03	Blade-Atomic, 21.75"	107-2599	RH Lift Arm ASM
105-9602	Brush	106-2619	Strip-Seal	106-5336	Nut-Jam	106-8450	Tab-Brush	107-0215-03	Blade-Atomic, 19.00"	107-2951	Frame
105-9612	Spring-Brush	106-2630	Idler Bearing ASM	106-5344	Bushing-Flange, Keyed	106-8454	Rod ASM	107-0216-03	Blade-Atomic, 19.00"	107-2954	Nut-Adjuster, Bearing
105-9613-01	Bracket-Brush, LH	106-2633	Screw-HHF	106-5354	Spring-Latch	106-8459	Bungee	107-0217-03	Blade-Atomic, 20.00"	107-2970	Rod
105-9614-01	Bracket-Brush, RH	106-2646	Ring-Retaining, Bowed	106-5363	Shaft-Adjuster	106-8463	Shim-Groomer	107-0222	Hose ASM	107-2979	Bolt-Shoulder
105-9615-01	Bracket-Brush, LH	106-2648-01	Bedbar	106-5366-01	Frame ASM	106-8468	RH Idler ASM	107-0235-03	Blade-Atomic	107-2993-03	Wiehle Scraper ASM (22")
105-9616-01	Bracket-Brush, RH	106-3621	Steering Valve ASM	106-5384	Strip-Pad	106-8470	LH Idler ASM	107-0245	Seal Kit	107-2996	Front Grass Shield ASM
105-9632	Bolt-J	106-3622	Steering Tilt Column ASM	106-5388	Rod-Lock	106-8471	Hub-Pivot	107-0249	Seal Kit	107-2999	Scraper Rod ASM
105-9635	Brush-Groomer	106-3662	Hose-Hyd	106-5408	Gasket-Cover	106-8482	Adjuster	107-0333	Rivet-Pop	107-3205	Seal-Oil
105-9767	Reel Frame ASM-Spa	106-3669	Hyd Hose ASM	106-5409	Gasket-Case, Gear	106-8489	Bushing-Sleeve	107-0392	Protection-Terminal, Aero	107-3206	Shaft-Drum, RH
105-9768	Reel Frame ASM-4bolt	106-3670	Hyd Hose ASM	106-5422	Blade-11 Tooth (Narrow Carbide)	10-6850	Drum-Brake	10-7070	Key-Square	107-3207	Shaft-Drum, LH
105-9770	Hyd Motor ASM	106-3671	Hose-Hyd	106-6355	Blade-11 Tooth (Carbide)	106-8511	Arm-Groomer HOC, RH	107-1054	Bearing	107-3216	Shaft-Wheel, Transport (R
105-9781	Spring-Torsion	106-3672	Hyd Hose ASM	106-6362	Seal Kit	106-8513	Arm-Groomer HOC, LH	107-1078	Bearing	107-3224	Shaft-Wheel, Transport (L
105-9810-03	Blade-Angle Sail	106-3680	Hose-Hyd	106-6392	Kit-Dethatcher Blade	106-8521	Decal-Warning	107-1135	Hose ASM	107-3226-01	Arm-Pitch, RH
105-9816	Roller-Plastic	106-3691	Hose-Hyd	106-6394	Mow Pedal ASM	106-8527	Bushing	10-7130	Wire ASM	107-3227	Nut-Bearing, Lock
105-9817	Hose-Hyd	106-3692	Hose-Hyd	106-6395	Cutting Control Shaft ASM	106-8528	Screw-Lock	107-1588	Roller Rebuild Kit	107-3228	Spacer-Seal
105-9822	Spacer	106-3693	Hose-Hyd	106-6396	Lift-Pivot V	106-8529	Plug-Cap	107-1589	Roller Rebuild Kit	107-3233	Seal-Oil
105-9823	Bushing-Carrier	106-3712-03	Pedal-Brake	106-6691	Cable-Brake, Park	106-8530	Seal-Grease	107-1590	4 Bolt Cu Rebuild Kit	107-3237	Spacer
105-9827	Shaft	106-3713	Detent	106-6698	Cable-Hi-Low	106-8535	RH Lift Arm ASM	107-1591	Roller Rebuild Kit	107-3238	V-Ring
105-9912	Spacer-Latch	106-3719	Hub-Pedal, Traction	106-6716	Seal Kit	106-8536	LH Lift Arm ASM	107-1592	Roller Rebuild Kit	107-3244	O-Ring
105-9926	Spring-Extension	106-3731	Rod-Pivot	106-6726	Steering Pump ASM	106-8540	Pulley ASM	107-1593	Roller Rebuild Kit	107-3258	Frame







**PARTS LIST**

**PARTS LIST**

Part No.	Description	Part No.	Description	Part No.	Description	Part No.	Description	Part No.	Description	Part No.	Description
111-1717	Roller Shaft WA **H56**	112-1366	Starter	112-6468-03	Bracket	112-9197	Manifold ASM w/Backlap	114-3831	Hose-Radiator, Upper	114-8864	Drum-Brake
111-5755	Tire	112-1400	Pivot ASM	112-6950	Screw-Carr	112-9275	Bedknife-Microcut	114-3832	Hose-Radiator, Lower	114-8868	Hyd Hose ASM
111-5758	Bearing	112-1403	Adapter ASM	112-6951	Brush Cover ASM	112-9279-0P	Bedbar-Aggressive	114-3837	Hose ASM	114-8874	No. 4 Lift Arm ASM
112-0009	Lever-Pump Kit	112-1405	Adapter ASM	112-6952	Brush Cover ASM	112-9458	Groomer Shaft & Pulley	114-3848	Coupler-Spring, Flywheel	114-8875	Seal Kit
112-0153	Screw	112-1432	Adapter ASM	112-6957	Washer-Hardened	112-9462-03	Basket Frame ASM	114-3849	Muffler-Turbo	114-8876	Hub ASM
112-0156	Arm-Control	112-1480-01	Plate-Bahia, Right	112-6967	O-Ring	112-9469-01	Axle ASM	114-3972	Chain	114-8897	Muffler
112-0176	Paint-Black Bottle	112-1482-01	Plate-Bahia, Left	112-6968	O-Ring	112-9471	Grass Shield ASM	114-4057	Element-Safety	114-9376	Comb/Scrapers Kit (27")
112-0177	Paint-Red Pen	112-1690	Seal-Oil	112-7022	Starter ASM	112-9586-03	Blade-Flat	114-4319	Pivot Pin, ASM	114-9377	Comb/Scrapers Kit (32")
112-0178	Paint-Red Bottle	112-1704	Plastic Wiehle Roller ASM	112-7023	Starter ASM	112-9916	Hyd Cylinder ASM	114-4634	Kit-Adjuster, Service	114-9383	X-Ref 137-6121
112-0205	Hyd Hose ASM	112-1705	Roller-Wiehle, Plastic	112-7153	Pin	112-9918	Throttle Cable Kit	114-4643	Wheel	114-9384	Full Front Roller ASM (3i
112-0217-01	Frame	112-1707	Shaft-Roller, Wiehle	112-7156-03	Arm-Lift, RH	112-9919	Stop-Cable, Throttle	114-4650	Drive Plate ASM, LH	114-9388	Bedknife-STD
112-0220	Grille-Muffler	112-1708	Short Rear Roller ASM	112-7157-03	Arm-Lift, LH	114-0381-03	Arm No. 1 ASM	114-4665	Tire ASM	114-9389	Bedknife-STD
112-0237	Motor-Wheel, Hyd (LH)	112-1711	Shaft-Rear Roller, Short	112-7161	Screw-HH	114-0382-03	Arm No. 2 ASM	114-4672	Steering Valve ASM	114-9390	Bedknife-HD
112-0238	Motor-Wheel, Hyd (RH)	112-1718-01	Bedbar	112-7376	Belt-V, B	114-0383-03	Arm No. 3 ASM	114-4680	Tank ASM	114-9391	Bedknife-HD
112-0273	Hyd Hose ASM	112-1728	Long Rear Roller ASM (18i	112-7377	Belt-V, B	114-0384-03	Arm No. 4 ASM	114-4681	Screw-HHF	114-9396	Cap screw-HH
112-0278	Switch-Reed	112-1731	Shaft-Rear Roller, Long	112-7451	Screw-Tap	114-0385-03	Arm No. 5 ASM	114-4683	Pin-Hinge	115-0120-03	Pedal-Brake
112-0285-01	Fork-Castor	112-1732	X-Ref 137-6116	112-7494	Seal	114-0430	Tube-Seg, Roller	114-4685	Pin-Hinge	115-0123	V-Belt
112-0289	Manifold ASM (With Backla	112-1733	Plastic Shoulder Roller A	112-7652	O-Ring	114-0434-03	Blade-High Lift, 22"	114-4693-03	Mount-Steering	115-0129	Rod-Pawl, Brake
112-0291	Shield-Muffler	112-1734	Roller-Shoulder, Plastic	112-7673	Axle Shaft ASM	114-0435-03	Blade-Atomic, 22"	114-4861	Tire	115-5049	LH Gear Case ASM
112-1300	Sleeve-Tine, 1/2"	112-1735-01	X-Ref 125-2099	112-7688	Control-Throttle	114-0440-03	Support-Deck	114-5062	Cap-Bio diesel	115-5059	RH Gear Case ASM
112-1301	Sleeve-Tine, 5/8"	112-1738	Front Grass Shield ASM	112-7689	Control-Choke	114-0550	Tine-Hollow	114-5400	Plastic Wiehle Roller ASM	115-5069	Main Tube ASM
112-1303	Tine-Side Eject	112-1853	Belt-V	112-7836	Filter-Inline	114-0551	Tine-Hollow	114-5401	Wiehle Roller Plastic (22	115-5079	LH Roller Bracket ASM
112-1304	Tine-Se, Carbide	112-2511	Belt	112-8400	X-Ref 144-4020	114-0553	Tine-Hollow, Carbide	114-5403	Shaft-Roller, Front	115-0811	Roller Brush ASM (27")
112-1306	Tine-Hollow	112-2911	Belt-Starter	112-8409	Filter-Oil	114-0555	Tine-SD Eject	114-5407	Shaft-Long, Rear Roller	115-0813	Brush-Roller
112-1307	Tine-Hollow, Carbide	112-2912	Belt-Drive	112-8908-01	Bedbar	114-0557	Tine-SD Eject, Carbide	114-5410	Shaft-Short, Rear Roller	115-0828	Belt-Brush, 7"
112-1310	Tine-Cross, Carbide	112-2923	Seat ASM	112-8915	Rear Roller ASM	114-0558	Tine-SD Eject	114-5411	Nut-Lock, Bearing	115-0833	Belt-Brush, 7"
112-1311	Tine-Cross, Carbide	112-3131	Belt-Starter	112-8916-0P	X-Ref 137-6119	114-0560	Tine-SD Eject, Carbide	114-5412	X-Ref 137-6111	115-0838	X-Ref to 140-5514
112-1312	Tine-Cross, Carbide	112-3163	Tire	112-8918	Shaft-Long, Rear Roller	114-0561	Tine-Hollow, Carbide	114-5417	X-Ref 137-6117	115-0839	Spring-Idler
112-1313	Tine-Cross, Carbide	112-3168	Rear Shock/Spring ASM	112-8935	Frame-Center	114-0583	Sleeve, .500 Dia	114-5421	Plastic Shoulder Roller A	115-5089	RH Roller Bracket ASM
112-1314	Tine-Cross, Carbide	112-3262	Bearing	112-8942	Front Grass Shield ASM	114-0584	Sleeve, .625 Dia	114-5422	Roller-Shoulder, Plastic	115-0894	Belt-Brush, 5" (5-Rib
112-1316	Tine-Quad (AE4-450-3)	112-4254	Belt-Timed	112-8954-01	Bedbar	114-0590-01	Sleeve Tool ASM	114-5430	Roller Rebuild Kit	115-1554	Latch-Draw
112-1322	Tine-Quad, Carbide (Ce4-4	112-5102	Tine-Slicing	112-8961	X-Ref 137-6126	114-0620	Hydraulic Cylinder ASM	114-5596	Bushing-Straight	115-1556	Pin-Ball, Detent
112-1329	Tine-Solid (As4-550-25)	112-5103	Tine-Slicing	112-8962-0P	Tube-Long	114-0626	Hyd Cylinder ASM	114-5640-03	Joint Yoke ASM	115-1572	Tire
112-1330	Tine-Solid (As4-550-35)	112-5104	Tine-Cross	112-8978	Frame-Center	114-0631	Clevis-Latch, Parking	114-5641	Washer-Thrust	115-1714	Cable-Brake, Squeeze
112-1332	Tine-Quad (Ae5-450-3)	112-5105	Tine-Cross	112-9130	Bio-Diesel Kit, GM580D	114-0633	Hose-Hyd	114-5680	Bushing-Flange	115-1770	21" Groomer Shaft ASM
112-1347	Tine-Solid	112-5106	Tine-Cross	112-9140	Bio-Diesel Filter Kit	114-0641-03	Pivot ASM	114-7606	Chopper-Axle ASM	115-1794	Screw-HHF
112-1348	Tine-Solid	112-5107	Tine-Cross	112-9170	Seal Kit	114-0644-03	Plate-Brace	114-7614	Blade-Bent	115-1880	Bedknife-Edgemax, Microcut
112-1350	Starter ASM	112-5121	Tine-Fairway, Split (Gf7-	112-9174-01	Fork-Caster	114-0876-03	Blade-Rotary(20.00) No SAI	114-7715	Axle-Brush	115-1881	Bedknife-Edgemax, Tournam
112-1351	Starter ASM	112-5122	Tine-Fairway, Split (Gf6-	112-9180	Strap-Shaft, Brake	114-0897	Blade Kit-Atomic, GM59XX	114-7728	Screw-HF	115-2007	Rod-Spring
112-1353	Starter ASM	112-5123	Tine-Fairway, Split (Gf7-	112-9181	Plate-Boot	114-2726	Lever-Brake	114-7741	Tire	115-2165	Ball Joint
112-1356	Starter ASM	112-5262	Shaft-Roller	112-9182	Kit-Fuel Filter	114-3315	Solenoid	114-7742	Rim	115-2169	Hub-Pump
112-1358	Alternator	112-5268	Mount-Roller	112-9184	Seal Kit	114-3319	Harness-Wire, Main	114-8119	Steering Valve ASM	115-2283	Cable-Brake, Park
112-1359	Alternator	112-5290	Bearing-Steel, Stainless	112-9185	Hose ASM	114-3494	Element-Filter, 25 Micron	114-8385	Fan-Electric	115-2284	Cable-Clutch
112-1360	Alternator	112-5291	Kit-Greasable Roller ASM	112-9188	Element-Filter, Fuel/Wate	114-3717	Seal-Oil	114-8859	Hyd Wheel Motor ASM	115-2285	Cable-Accelerator
112-1364	Alternator	112-5757	Mount-Engine, Rubber	112-9193	Hose-Hyd	114-3825	Fan	114-8860	Hyd Wheel Motor ASM	115-2292	Timer-Glow Plug

## PARTS LIST

Part No.	Description
115-2661	Brake Drum ASM
115-2951	Belt-A Section
115-3009	O-Ring
115-3259	Kit-Service, Pin
115-3260	Kit-Service, Pin
115-3282	Washer-Special
115-3290	RH Support Plate ASM
115-3296	X-Ref to 140-5510
115-3299	Seal-Flocked
115-3303-03	Bar-Cutoff
115-3311	LH Support Plate ASM
115-3366	Roller
115-3434	Spindle
115-3453	X-Ref 136-3510
115-3461	LH Lift Arm ASM
115-3465	LH Short Lift Arm ASM
115-3466	RH Short Lift Arm ASM
115-3473	Rear Lift Arm ASM
115-3475	Rear Lift Arm ASM
115-3488	Spring-Torsion
115-3771	Hose ASM
115-4260	Plate-Side, LH
115-4263	Plate-Side, RH
115-4295	Belt-Groomer
115-4510	Bimini Folding Shade ASM
115-4523	Coupling-Rubber
115-5219	Pulley-Driven, Splined
115-5258	Spring-Wire, Flat
115-5296	Needle Valve ASM
115-5300	Proximity Switch ASM
115-5304	Cap-Fuel
115-5305	Cap-Fuel
115-5357-03	Bracket-Joystick
115-5469	Bushing-Flange
115-5471	Element-Separator, Fuel/w
115-5618	Pivot-Hub
115-5642-03	Blade
115-5647	Hyd Lift Cylinder ASM
115-5649	Hitch Replacement Kit
115-5765	Fan
115-6699	Brake Rod ASM
115-6743	Belt-Drive, Main
115-6744	Belt-Drive, Drum
115-6784	Nut-Bearing
115-6869	Bearing-Ball, Stainless

Part No.	Description
115-6882	Shaft-Hex, Reel
115-6923	Shield-Bearing, Flocked
115-7041	Arm-HOC
115-7042	Bolt-Shoulder, Flange
115-7140	Gasket-Housing, Main
115-7143	Spring-Wave
115-7171	Cable-Brake
115-7172	Cable-Clutch, Reel
115-7263	Screw-Lock, Bearing
115-7354	Wheel ASM
115-7356	Rear Full Roller ASM (Alu
115-7361	Auxiliary Roller Extension
115-7365	X-Ref to 125-3528-03
115-7380	Narrow Wiehle Roller Scra
115-7753	Hose-Coolant, Upper
115-7771	X-Ref 138-5600
115-7811	Cable-Selector, Gear
115-7812	Cable-Hi Low
115-7818	Fuel Filter ASM
115-7854	Filter-Fuel, Inline
115-8018	Hose ASM
115-8034	Hose ASM
115-8059	Yoke-Cable
115-8060	Clevis-Double
115-8063-03	X-Ref 115-8063-0P
115-8063-0P	Mount-Engine RH
115-8066-03	X-Ref 115-8066-0P
115-8066-0P	Mount-Engine
115-8189	Filter-Oil, Engine
115-8250	Gear Motor ASM
115-8292-0P	X-Ref 137-6112
115-8293-0P	Tube-Short
115-8294-0P	Tube-Long
115-8295-0P	Tube ASM-Roller 2.5" Diameter
115-8296-0P	X-Ref 137-6115
115-8298-03	Bracket-Comb
115-8299	Plate-Comb
115-8483	Hyd Hose ASM
115-8484	Hyd Hose ASM
115-8603	Starter ASM
115-8861	Starter
115-8877	Filter-Air, Engine (Safet
115-8887	Filter-Air, Engine (Prima
115-8896	Blade Kit-Std Blade, GM59X
115-8898	Blade-Belt Kit, GM59XX

Part No.	Description
115-8957	Belt-B-Sect. Match Set of
115-9022	Finger-Plastic
115-9023	Clamp-Finger
115-9024	Plate-Center
115-9028	End Plate ASM
115-9142	Pin-Rear Axle
115-9471	Bearing-Cup
115-9472	Bearing-Cone & Seal
115-9473	Alternator-60 Amp
115-9793	Breather
117-0106	Cable-Brake, RH
117-0107	Cable-Brake, LH
117-0118	Pivot ASM
117-0132	X-Ref to 136-3568
117-0148	Pin-Cylinder
117-0149	Kit - Roller Scraper
117-0172	Screw-HH
117-0203-03	Bracket-Brake Spring
117-0208	Shaft-Pivot, Liftarm
117-0209-03	Blade-Angle Sail, 22"
117-0211	Hyd Hose ASM
117-0212	Hyd Hose ASM
117-0213	Hyd Hose ASM
117-0235	Seal Kit
117-0238	Detent
117-0289	MVP Kit -Hyd Hose (GM4300
117-0297	X-Ref 137-6147
117-0299	Hyd Hose ASM
117-0823	Tire-Standard
117-0957	Shaft-Roller, Wiehle
117-0959	Roller-Wiehle, Plastic
117-0960	Plastic Wiehle Roller ASM
117-0987	Shaft-Roller, Front
117-0989	Roller-Wiehle, Plastic
117-0990	Plastic Wiehle Roller ASM
117-1353	Belt-Traction
117-1397	Cable-Clutch, Traction
117-1408	Drum
117-1507	Grooming Reel ASM
117-1511	Screw-HSH
117-1530	Bedknife-Edgemax, Microcu
117-1532	Bedknife-Edgemax, Tournam
117-1548	Bedknife-Edgemax Tournam
117-2364	Hub-Fan
117-2376	Cable-Battery, Positive

Part No.	Description
117-2720	MVP Kit-Hyd Hose (RM5 x 10
117-2722	MVP Kit-Blade Pack, STD (
117-2723	MVP Kit-Hyd Hose (RM4000
117-2724	MVP Kit-Hyd Hose (RM3100
117-2726	Case-Seal Kit
117-2727	Seal Kit with Case
117-2792	Filter-Fuel
117-2901	Tire
117-3290	Nut-Hex
117-3399	Belt-V
117-3756	X-Ref 137-6123
117-3759	X-Ref 137-6124
117-4302	RH Wheel Motor ASM
117-4303	LH Wheel Motor ASM
117-4464	Belt-V
117-4687	Washer-Cup
117-4689	Spring Rake Kit
117-4764	Decal-Danger
117-4861	Hose-Hyd
117-4922	Belt-VEE
117-5100	Shaft-Roller, Rear
117-5115	Hub & Bearing ASM
117-5125	Tire
117-5129	Rim
117-5135	Radiator
117-5141	Hyd Motor ASM
117-5142	Hose-Hyd
117-5147	Hose-Hyd
117-5188	Hose-Hyd
117-5190	Hose-Hyd
117-5196	Tire
117-5419	Alternator
117-5541	60 Amp Alternator ASM
117-5834	Nozzle-Sprayer
117-5835	Nozzle-Sprayer
117-5836	Nozzle-Sprayer
117-5837	Nozzle-Sprayer
117-5838	Nozzle-Sprayer
117-5839	Nozzle-Sprayer
117-5896	Belt-CVT
117-6619	Bushing
117-6788	RH Drive Plate ASM
117-6824	Blade-11 Tooth (1.2 mm Ca
117-6826	Spring-Stabilizer, RH
117-6827	Spring-Stabilizer, LH

Part No.	Description
117-6831	Bearing-Ball, Stainless
117-6839	Dethatcher Blade Kit (1.2
117-6840	Dethatcher Blade Kit, 2.0
117-6992	Overhaul Seal Kit
117-7190	Kit-Adapter Head
117-7191	Kit-Adapter Head
117-7193	Kit-Adapter Head
117-7194	Kit-Adapter Head
117-7195	Kit-Adapter Head
117-7196	Kit-Adapter Head
117-7198	Kit-Adapter Head
117-7199	Kit-Adapter Head
117-8055	Pump Adapter
117-8093	Radiator ASM
117-8177	O-Ring
117-8259	Washer-Spindle
117-8972	Fan Clutch ASM
117-8976	Seal
117-8988	MVP Kit-Hyd Hose (RM 4000
117-9032	Rim
117-9432	Spin on Element Kit
117-9471	Kit-Service, GR3250-D Stee
117-9493	Bolt-Bedbar
117-9507	Pedal-Accelerator
117-9870	Wheel & Tire ASM
117-9875	Joint-Ball
11-8960	Fastener ASM
119-0011	Pressure Transducer ASM
119-0023	Tire
119-0084	Control-Throttle
119-0087	RH Lift Arm ASM
119-0089	LH Lift Arm ASM
119-0116-03	Mount-Bumper, RH
119-0117-03	Mount-Bumper, LH
119-0118	Pad-Bumper
119-0614-01	Weight-End
119-0619	Bedknife-Extended, LC (Fa
119-0625	Shaft ASM
119-0626	Shim-Roller
119-0630	Plastic Shoulder Roller A
119-0631	Roller-Shoulder, Plastic
119-0640	Plastic Shoulder Roller A
119-0641	Roller-Shoulder, Plastic
119-0649	Trim/HD Collar Kit
119-0654	Adjuster-Seat, Locking

Part No.	Description
119-0710	Belt-Variable
119-0934	Belt-CVT
119-1128	Blade-11 Tooth
119-1604	Collar-Trim/HD
119-1645	Comb
119-1646-03	Scraper-Wiehle, Comb
119-1647-03	Bracket-Comb
119-1648-03	Plate-Comb
119-1651	Control-Choke
119-1652	Throttle
119-1653	Cable-Lock, Neutral
119-1735	Cable-Control, Traction
119-1868	Washer
119-2050	Hose-Hyd
119-2051	Hose-Hyd
119-2052	Hose-Hyd
119-2053	Hose-Hyd
119-2065	Hose-Hyd
119-2066	Hose-Hyd
119-2157	Premium Synthetic Bio Hyd
119-2158	Premium Synthetic Bio Hyd
119-2482	Decal-Operating
119-3009	Tire
119-3010	Rim
119-3516	Tire-Traction
119-3557	Hyd Hose ASM
119-3558	Hyd Hose ASM
119-3871	Radiator
119-4012	Screw-HWHTF
119-4035	Screw-HSH
119-4039	Nut-Hex, NI
119-4040	Nut-HF, NI
119-4050	Bedbar Bolt Replacement A
119-4067	Screw-HH
119-4090	Shaft-Roller
119-4092	Roller Tube ASM
119-4093	X-Ref 140-5560
119-4095	Grass Shield ASM
119-4097	Roller Tube ASM, 18"
119-4098	Full Roller ASM
119-4129	Muffler
119-4150	Washer-Flat
119-4151	Screw-Bedknife
119-4153	Rubber Bushing ASM
119-4154	X-Ref 140-9234

## PARTS LIST

## PARTS LIST

Part No.	Description	Part No.	Description	Part No.	Description	Part No.	Description	Part No.	Description	Part No.	Description
119-4155	Washer-Hardened	119-9040	Tank-Hydraulic	120-2114	Tire-Smooth	120-5577	Bearing Spacer Set	121-0685	Filter-Fuel	121-4681	Narrow Wiehle Roller ASM,
119-4156	Spring-Compression	119-9044-03	Blade-Edger, Oscillatory	120-2183	Washer-Thrust	120-5696	Filter ASM	121-1720-01	Bracket-Fork	121-4682	Rear Roller ASM, Steel
119-4157	Retainer-Shaft	119-9307-01	Arm-Pitch	120-2235	Filter-Fuel	120-5754	Seal Kit	121-1733	Overhaul Seal Kit	121-5252	Belt-V
119-4164	Washer-Wave	119-9746	Cable-Throttle	120-2244	Hour meter	120-5772	Belt-V	121-1736	Overhaul Seal Kit	121-5253	Belt-V
119-4165	Shim-Height, Roller	120-0404	Bracket-High HOC (LH)	120-2682-01	Bedbar	120-5819	Alternator	12-1190	Pinion-Idler	121-5347-03	Blade-25.18", Angled
119-4166	Spacer-Height, Roller	120-0405	Bracket-High HOC (RH)	120-2709	Cable-Throttle	120-5824	Belt-Fan	121-2241	Blade	121-5397	Seal Kit
119-4250	Comb	120-0698	Strainer-Tip, 100 Mesh	120-2742	Groomer Brush ASM (Gr800)	120-6272	Hyd Motor ASM	121-2474-03	X-Ref 121-2474-0P	121-5613	Pump-Fuel, Electric
119-4251-03	Scraper-Wiehle, Comb	120-0699	Strainer-Tip, 50 Mesh	120-2752	Rod-Lift, Groomer	120-6274	Mount-Engine	121-2474-0P	Panel-Cooler	121-5631	Hub ASM
119-4252-03	Bracket-Comb	120-0700	Nozzle-AI .2GPM, Yellow	120-2763	Belt-Groomer	120-6379	Sensor-Ferrous Proximity,	121-2520	Bracket-Lever, Brake	121-5633	Hub ASM
119-4253-03	Plate-Comb	120-0701	Nozzle-AI .4GPM, Red	120-2783	Tire	120-6451	Tire	121-2583	Filter-Fuel, Inline	121-6288	Starter ASM F/W
119-4275	Spring-Compression	120-0702	Nozzle-AI .5GPM Brown	120-3198	Roller-Pivot	120-7230	RM HD DPA MVP Kit	121-2598-01	Scraper	121-6357	Reel
119-4276	Roller-Tipper	120-0703	Nozzle-AI .6GPM, Gray	120-3199	X-Ref to 140-5248	120-7448	Filter-Air, Paper	121-2637	DPA Rebuild Kit	121-6392	Premium Engine Oil 10W30
119-4280	Bedknife-Edgemax Extended	120-0704	Nozzle-AI .8GPM, White	120-3220	Plug-Plastic	120-7639	Tire	121-2646	Roller-Wiehle, Paspalum	121-6393	Premium Engine Oil 10W30
119-4286	X-Ref 137-6118	120-0705	Nozzle-AI 1.0GPM, Blue	120-3221	LH Reel Nut ASM	120-8802	Hyd Cylinder ASM	121-2756	Battery-Door	121-6394	Premium Engine Oil 15W40
119-4288	Rear Roller ASM (Short)	120-0706	Nozzle-AI 1.5GPM, Green	120-3222	RH Reel Nut ASM	120-8874-03	Bracket-Roller, RH	121-2976	Rod-Brake, Wide (RH)	121-6395	Premium Engine Oil 15W40
119-4289	Shaft-Rear Roller 32" (S)	120-0707	Nozzle-AI Turbo .2 GPM, Yellow	120-3237	O-Ring	120-8878	RH Lift Arm ASM	121-2977	Rod-Brake, Wide (LH)	121-6674	Blade-11 Tooth Dethatcher
119-4486	Belt-V, Fan	120-0708	Nozzle-AI Turbo .4 GPM, Red	120-3351	Belt-3V	120-8879	LH Lift Arm ASM	121-3166	Bedknife-STD	121-6675	Dethatcher Blade Kit (Spr
119-4777	Spindle ASM	120-0709	Nozzle-AI Turbo .5 GPM, Brown	120-3366	Bearing	120-8910	Tire-Off Road	121-3167	Bedknife-Low Cut	121-6903-03	Rear Roller ASM
119-5852	Filter-Oil	120-0710	Nozzle-AI Turbo .6 GPM, Gray	120-3404	Block-Guide	120-8959	Hose-Hyd	121-3182-03	Wiehle Roller Scraper (18	121-7856	Steering Valve ASM
119-6021	Tire	120-0711	Nozzle-AI Turbo .8 GPM, White	120-3407	Engine-16HP, Vanguard (Se	120-8987	Hose-Hyd	121-3187	Bushing	121-7906	Tire-22x12x12, Treaded
119-6225	Tire	120-0712	Nozzle-AI Turbo 1.0 GPM, Blue	120-3408	Engine-18HP, Vanguard (Se	120-8988	Hose-Hyd	121-3199	Brush-Roller (18" High H	121-7924	Tire ASM 22-12x12, Tread
119-6343	Tire	120-0713	Nozzle-AI Turbo 1.5 GPM, Green	120-3417	Traction Pedal Kit	120-8989	Hose-Hyd	121-3548	Rim	121-8457	Filter-Air
119-6955	MVP Kit-Hyd Hose	120-0714	Cap ASM, Single Fan	120-3457	Rear Hitch ASM	120-9412	Tire-Turf	121-3575	Spacer-HOC	121-9070	Valve ASM
119-6956	Radiator ASM	120-0716	Filter ASM	120-3461-01	Mount-Engine	120-9595	X-Ref 140-5560	121-3603	Matched Spacer Set	121-9072	Tire-Turf Tread
119-6957	MVP Kit-Qty 5 Combo Blade	120-0781	Rod-Connecting	120-3465-03	Frame-Hitch	120-9600	High HOC Kit	121-3605	Ball Joint	121-9076	Mount-Engine
119-6964	LH Hose Guide ASM	120-1044	Guard-Turf, 3-Tine (Short	120-3468	Rake-Spring	120-9605	Rear Roller ASM, 18"	121-3625	Filter-Pump, Fuel	121-9077	Assembly-Wheel/Tire
119-6965	RH Hose-Guide ASM	120-1045	Guard-Turf, 4-Tine (Short	120-3476	Muffler-Dual Inlet	120-9607	Narrow Wiehle Roller ASM,	121-3627	Decal-Height of Cut	121-9081-01	Cover-Rear
119-6968	Dipstick-Oil	120-1046	Guard-Turf, 4-Tine, Long	120-4132-01	Chamber-Outer	120-9609	Wide Wiehle Roller ASM, 1	121-3653	Cylinder-Hyd	121-9517	Kit-MVP, Groomer Re-Build
119-6972	Variable Hydraulic Pump A	120-1047	Guard-Turf, 5 Tine, Short	120-4174	Wheel & Tire ASM	120-9611	Full Roller ASM, 18" (2.5	121-3657	Kit-Service, Radiator GP	121-9518	Kit-MVP, Blades-Groomer,
119-6987	Hyd Cylinder ASM	120-1050	Guard-Turf, 6 Tine Short	12-0460	Caplug	120-9613	Roller Tube ASM	121-3664	Spindle Shaft ASM	121-9519	Kit-Service, Gear Pump
119-6988	Hyd Cylinder ASM	120-1051	Guard-Turf, 3-Tine, Long	120-4621	Bearing	120-9619	Blade-Scraper, Wide (18 I	121-3666	Spindle ASM	121-9531	X-Ref 140-5580
119-6989	Hyd Cylinder ASM	120-1052	Guard-Turf, 5 Tine, Long	120-4817	Dry Lube, Graphite-Aeroso	120-9620-03	Blade-Scraper, Full (18 I	121-3811	Alternator ASM	121-9535	Wiehle Roller ASM, Paspal
119-6990	Hyd Cylinder ASM	120-1053	Guard-Turf, 6 Tine Long	120-4980	Cable-Throttle	120-9622	Wide Wiehle Roller Scrape	121-3882	Shaft-Pivot, Lift Arm	121-9612	Belt
119-6991	Hyd Cylinder ASM	120-1057	Guard-Turf, 3-Tine (RH)	120-5116	Washer-Wave	120-9623	Full Roller Scraper Brush	121-3891	Filter-Air, Cab Interior	121-9774	Absorber-Shock
119-8010-03	Kickstand	120-1058	Guard-Turf, 3-Tine (LH)	120-5118	Shaft-Adjuster	120-9653	Nut-Lock, NI	121-3892	Filter-Air, Cab Exterior	121-9924	Belt-Drive
119-8015	Hydraulic Oil Additive	120-1059	Guard-Turf, 4-Tine (RH)	120-5120	Spring-Compression	120-9664	Bearing-Ball	121-4570	Filter-Fuel	122-0371	Light-Work, LED
119-8020	Atomic Blade Kit - 3 Bla	120-1060	Guard-Turf, 4-Tine (LH)	120-5142	Roller Brush ASM	120-9695	Nut-Jam	121-4600	Nut-Hex	12-3270	Screw
119-8021	High Flow Blade Kit - 3 B	120-1061	Guard-Turf, 5 Tine (RH)	120-5261	Control-Throttle	120-9705	Shaft-Input, Reel	121-4605	Washer-Spring	125-0552	Roller Brush ASM
119-8145	X-Ref to 140-5282	120-1062	Guard-Turf, 5 Tine (LH)	120-5313-03	Mount-Engine	120-9707	Shaft-Drive, Reel	121-4609	Plug-Expansion	125-0554	Brush-Roller
119-8158	X-Ref to 140-5285	120-1063	Guard-Turf, 6 Tine (RH)	120-5341	Kit-Service, Actuator	120-9738	Screw-HH	121-4613	Arm-HOC, LH	125-0765	Belt-Synchronous
119-8161	X-Ref to 140-5287	120-1064	Guard-Turf, 6 Tine (LH)	120-5378	Bearing-Ball	120-9742	Clip-Retaining	121-4617	Rod-Lift	125-1906	Pin-Cylinder
119-8268	Blade Kit-Flat Blade	120-1640	Bedknife-Low HOC Extended	120-5404	Shaft-Roller	120-9941	Bolt-Bedbar	121-4618	Arm-HOC, RH	125-1912	Pin-Pivot
119-8313	Tire	120-1641	Bedknife-Low HOC Ext	120-5405	Roller-Wiehle, Extended	121-0547	Plug-Spark	121-4635	Wiehle Roller ASM, Ext	125-1938	Latch
119-8558	Bearing-No seal	120-1642	Bedknife-Low HOC Ext	120-5575	Pin	121-0618	Set-Element	121-4641	Roller-Full, Ext	125-1954	Mount-Front
119-8952	Washer	120-2072	Hyd Motor ASM	120-5576	Washer-Hardened	121-0675	Fuel Strainer ASM	121-4680	Full Roller ASM, Ext	125-1967	Bracket-Brake, Park

## PARTS LIST



**PARTS LIST**

Part No.	Description
125-1978	Shield-Grass, Rear
125-1984	Spacer
125-1997	Shield-Grass, Rear
125-2098	Shield-Grass, Rear (5 Inc
125-2099	Shield-Grass, Rear
125-2751	Belt-Brush
125-2772	LH Threaded Insert ASM
125-2773	RH Threaded Insert ASM
125-2779-01	Weight-End, 5"
125-2796	Bracket-Front HOC
125-2902	Filter-Fuel
125-2909	Tread-Floorboard
125-2914	Filter-Separator
125-2915	Filter-Fuel/Water Separat
125-3319	Tine-Needle, 5mm x 5.43
125-3333	Bearing-Ball
125-3511	Grease-Synthetic
125-3520	Bearing-Ball
125-3526-03	Scraper-Full
125-3527-03	Scraper-Narrow
125-3528-03	Scraper-Wide
125-3537	Extended Rear Roller Kit
125-3540	Shaft-Hex
125-3541	Shaft-Hex
125-4300	Seal Kit
125-4301	Seal Kit
125-4302	Seal Kit
125-5142-03	Blade-Push, Rear
125-5178	Bushing
125-5196	Bushing
125-5222	Bushing-Eccentric, Machin
125-5244	Mount-Engine
125-5279	Bearing-Roller
125-5283	Gasket-Control
125-5288	O-Ring
125-5298	O-Ring
125-5299	Overhaul Seal Kit
125-5609	Plug-Plastic
125-5610	Paper-Reel, Toro (10 Pack
125-5611	X-Ref 140-5531
125-5623	Paper-Toro Reel Booklet
125-6044	Belt-V,
125-6045	Belt-V, Impeller
125-6406	Tire
125-6465	Tire

Part No.	Description
125-7003	Starter
125-7025	Filter-Engine, Oil
125-7249	Bearing, Ball
125-7251	Bearing-Ball
125-7252	Bearing-Ball
125-7253	Bearing-Ball
125-8752	Filter-Fuel/Oil
125-9139	Spark Plug
125-9176	Seal Kit
125-9249	Spacer-Coupler, Rubber
125-9444-03	Blade-Combination, 25.18
126-1963	Bushing-Pivot
126-2928	Kit, Anti-Scalp Roller AX
126-8033	Tire
127-0259	Belt-Brush (22" Fwy)
127-0381	Inner Filter Kit
127-2070	Reel-5" Fwy, (22) 5 Bld
127-2156	Reel-Flex (18), 11 Bld
127-2160	11 Blade Reel ASM
127-2161	X-Ref 132-7354
127-2164	Reel ASM 18" 11 Blade
127-2165	Reel ASM 18" 14 Blade
127-2174	Reel-Flex (21), 8 Bld
127-2175	Reel-Flex (21), 8 Bld
127-2176	X-Ref 137-8570
127-2177	X-Ref 137-8574
127-2181	X-Ref 132-7312
127-2183	Reel-Gr (21), 14 Bld
127-2206	X-Ref 132-7361
127-2612	Guard-Pipe, Tail
127-2665-03	Frame-Support, Radiator
127-2741	Shield-Wheel, Front
127-2742	Shield-Wheel, Rear
127-2796	Tire-Smooth, 20"
127-2958	Bearing-Ball
127-2983	Bearing-Ball
127-2998	V-Belt
127-3075	Fuel/Oil Filter ASM
127-3694	Hyd Motor ASM
127-3721	RH Castor Arm ASM Kit
127-3731	LH Castor Arm ASM Kit
127-3741	Castor Arm ASM Kit
127-3818	Starter ASM
127-4284	Washer-Special
127-5839	Long Steering Roller Comp

Part No.	Description
127-5897	Bearing, Ball 25mm
127-6124	Blade-Gr Groomer, Helix (
127-6214	Seal-Lip
127-6389	Deck Chamber Service ASM
127-6422	Screw-Grease, Roller
127-6427	Lift Cylinder ASM
127-6428	Lift Cylinder ASM
127-6429	Lift Cylinder ASM
127-7109	Insert-Threaded, 7" (
127-7111	Insert-Threaded, 7" (
127-7424	Brake Caliper ASM
127-7435	Tire (22 x 9.50-10) 4-Ply
127-8001	Short Steering Roller Com
127-8684	Cable-Brake, Adjustable
12-8140	Key Switch
12-9390	Tire (16 x 4-12) 4 Ply Semi
12-9460	Disc Half
130-0063	Insert-Threaded, 5" (
130-0064	Insert-Threaded, 5" (
130-0071	Reel-8" Fwy, (30) 7 Bld
130-0075	Reel-8" Fwy, (30) 5 Bld
130-0081	Reel-7" Fwy, (30) 11 Bld
130-0088	Reel-5" Fwy, (21) 5 Bld
130-0093	Reel-5" Fwy, (21) 8 Bld
130-0105	Kit-Bearing & Seal Rebu
130-0107	Control Clutch Cable ASM
130-1188	Fuel Filter ASM
130-1193	Fuel Filter ASM
130-1241	V Belt
130-1673	Cable-Throttle
130-1899	Air Filter ASM
130-2660	MVP Kit-Blade Pack, Std (
130-4105	Blade-Groomer
130-4119	Reel-7" Fwy, (27) 5 Bld
130-4123	Reel-7" Fwy, (27) 8 Bld
130-4127	Reel-7" Fwy, (27) 11 Bld
130-4132	Reel-7" Fwy, (32) 5 Bld
130-4136	Reel-7" Fwy, (32) 8 Bld
130-4139	Reel-8" Fwy, (30) 7 Bld
130-4141	Reel-8" Fwy, (30) 11 Bld
130-6469	X-Ref 137-8577
130-7096	Filter ASM
130-7832	Arm ASM
130-7873	Guide-Hose
130-7879-01	Frame-Adapter

Part No.	Description
130-7943	Valve-Steering, Control
130-7944	Valve-Control, Steering
130-8094	Washer-Plain
130-8357	Seal Kit
130-8380	Spark Plug
130-8860	Filter-Oil, Engine
130-9070	Element-Filter, Safety
130-9151-03	Blade-20"
130-9410	Coupling-Flex, 2 Beam
130-9477	Gasket
131-0504	Shaft-Verticutter, 5"
131-1821	Mount-Engine
131-2013	Reel-DPA (21), 5 Bld HD
131-2382	Tire
131-2786	Hyd Cylinder ASM
131-2787	Hyd Cylinder ASM
131-3126	Seal-Oil
131-3185	Cable-Throttle
131-3204	X-Ref 137-8413
131-3233	Groomer/RRB Seal Kit
131-3364	Std Blade Kit
131-3751	Kit - MVP, Multi Pro
131-3828	Ear Muff - Hearing Protec
131-4201	Pin-Pivot
131-4293	Pin Pivot
131-4295	Pin-Pivot
131-4305	Pin
131-4399	Lever, Pump
131-4876	Head Bearing Kit
131-4888	Insert-Sleeve, 3/4"
131-4889	Insert-Sleeve, 7/8"
131-5528	Bearing-Roller
131-6150	Screw-HWHTF
131-6262	MVP Kit-Initial 800 Hour,
131-6557	Alternator ASM
131-6561	Starter ASM
131-6572	Toro Premium Fuel Treatme
131-6581	Paint-Aerosol, Toro Red-In
131-6667	Tire (24 x 12.00-10) 4p K
131-6670	Tire
131-6673	Tire-Rear
131-6690	Seat Cover, Small
131-6691	Seat Cover, Large
131-6828	Indicator-Angle
131-6829	Mount-Indicator, Angle

Part No.	Description
131-7800	Roller ASM (UHMW)
131-8276	MVP Kit 400 Filter Kit Wo
131-8318	Tire
131-8319	Tire/Wheel ASM
131-8433	Tire-Rear
131-8440	Tire-Rear, A299
131-8443	Tire-K299
131-8444	Starter/Generator ASM
131-8588	Filter-Fuel (75 Micron GR
131-8785	MVP Kit-800 Hour, GR3150
131-8795	Kit-Clutch Shaft Service
132-0370	Element-Air Cleaner
132-1319	Blade-Rotary, 19.00 High
132-1324	Belt-V, 54.75"
132-1325	Blade Service Pack
132-1390-03	Blade-Atomic 20.00 In
132-1391	Blade Service Pack, Atomi
132-1392	Blade Service Pack, 20.00
132-1440	Blade-Belt Kit
132-3777	Steering Cylinder ASM
132-3778	Cylinder-Steering
132-3831	Lock ASM
132-3841	Shaft-Drum Extension, RH
132-3842	Shaft-Drum Extension, LH
132-4350	Pump-Piston, Variable
132-4351	Pump-Piston, Variable
132-4389	Hanger
132-4393	Plate-Trowel, RH
132-4394	Plate-Trowel, LH
132-4395	Plate-Trowel, Center
132-4427-0P	Blade-Weeder
132-4586	Screw-HOC
132-4626	X-Ref 140-5580
132-5206	Engine-Kubota (Core Chg A
132-5209	Engine-Kubota (Core Chg A
132-5982	Belt-V
132-6116	Hose-Hyd
132-6205	Overhaul Seal Kit
132-6206	O-Ring
13-2650	Belt-V
132-6959	Ball joint
132-6971	Hub-Drum
132-6979	Bearing-Roller w/Collar
132-6994	Housing-Bell
132-7312	ES 8 Blade Reel ASM

Part No.	Description
132-7313	ES 11 Blade Reel ASM
132-7314	ES 14 Blade Reel ASM
132-7353	ES 11 Bld Reel ASM
132-7354	ES 14 Bld Reel ASM
132-7357	X-Ref 137-8522
132-7361	ES 8 Blade Reel ASM
132-7362	ES 11blade Reel ASM
13-2840	Key-Square
132-8621	Battery - Corrosive
132-9421	Pulley-Idler, Flat
132-9510	Basket Assembly
132-9598	Mat-Roller
133-0140	Reel- 8" Fwy, (30) 5 Bld
133-0150	*OBS* Universal Groomer A
133-0151	*OBS* Universal Groomer A
133-0152	RM3550 18" RRB (For Univs
133-0153	RM5010/RM3555 5" 22" RRB(
133-0154	RM5010/RM3575 7" 22" RR
133-0155	RM3550 18" RRB (Only) MVP
133-0157	RM5010/3555 5" x 22" RRB
133-0158	RM5010/3575 7" x 22" RR
133-0195	X-Ref 137-8483
133-0577	Seat ASM
133-0614	Piston Kit
133-0628	Brake Pad Kit
13-3090	Spring-Finger
133-2331	Kit, Hydraulic Tank
133-2332	Kit, Diesel Fuel Tank
133-2337	Roller ASM
133-2378	Bearing
133-2724	Tire
133-2900	Seal Kit
133-2929	Control-Throttle
133-2934	Hydraulic Motor ASM
133-2935	Hydraulic Motor ASM
133-2940	Tire-Smooth, 26.5 In
133-2950	Kit-Wheel Motor
133-4525-01	Bedbar
133-4724	Tire
133-4894	Tire-Turf
133-5659	Washer-Rubber
13-3629	Over Haul Kit
13-3649	O/H Kit RM216 5/8/11 CU
13-3659	O/H Kit GR3000 5/8/11 CU
13-3679	Overhaul Kit-450D C/U

**PARTS LIST**

**PARTS LIST**

Part No.	Description
13-3710	Washer
133-7570	Nut-Flange, NI
133-8086	PX Hyd Fluid (5 Gal)
133-8087	PX Hyd Fluid (55 Gal)
133-8205	ES Reel-7" Fwy (22) 5BLD
133-8271	ES Reel-Fwy, (27) 11 (RR)
133-8273	ES Reel-Fwy, (32) 8 (RR)
133-8278	X-Ref 137-8471
133-8895-03	Scraper-Roller, Narrow (1
133-8896	Seat Adjuster Lever ASM
133-8897	Recoil Starter ASM
133-8898	MVP Kit-Seal, Clutch
133-8899	Shaft Service ASM
133-8905	Seal-Oil
134-0536	Blade-Rotary, Center
134-0537	Blade-Rotary, Swing, RH
134-0538	Blade-Rotary, Swing, LH
134-0567	Prefilter-Air
134-0575	Filter-Air
134-0576	Element-Air Filter, Inner
134-0639	Wheel-Anti Scalp
134-1208	Filter-Oil, Engine
134-1229	Tire-Front
134-1230	Tire-Rear
134-1368	Element-Filter , Hydraulic
134-1447	Fuel Filter ASM
134-1524	Filter-Fuel
134-1997	Filter-Fuel
134-3085	Element-Filter, Fuel
134-3123	Filter-Tank, Hydraulic
134-3959	Filter-Air
134-3961	Element-Air Filter, Inner
13-4960	Shaft-Plate, Finger
136-1010	Seal Overhaul Kit
136-1100	Spark Plug
136-1126	Tire-Front, K299
136-1127	Tire-Rear, K299
136-2881	Kit-Ballast (27" C/U)
136-2908	Roller ASM
136-2915	Kit-Ballast (22" C/U)
136-2921	HOC Plate ASM
136-2922	Shaft-Carrier, Pivot
136-3154-0P	Bracket-Cleaner, Air
136-3339	Spindle Shaft ASM
136-3387	No. 3 Lift Arm ASM

Part No.	Description
136-3419	RH Lift Arm ASM
136-3510	Carrier Frame ASM
136-3568	Pin-Flag (Mach)
136-4370-03	Blade-Rotary, Medium Sail
136-4390	Wheel & Tire ASM
136-4440	Tire-High Traction
136-4442	Tire-High Traction
136-4475	Tire
136-5270	Tire-Turf
136-5375	Tire (23 x 10.50-12)
136-6280	MVP Kit 400 Workman GTX (
136-6296	Belt-Variable
136-7287	Shaft-Hex, RH
136-7963	Tire ASM
136-7964	Wheel
136-8005	Lift Arm #5
136-8446	Kit, Center Pull Frame
136-8483	Frame-Pull, RH
136-8484	Frame-Pull, LH
136-8485	Frame-Pull, Center
136-8489	Pulley-Driven, Splined
136-8577	Pull Frame ASM
137-0832	Bedknife-Edgemax Lowcut
137-0833	Bedknife-Edgemax (Fairway
137-0879	Bedknife-Edgemax (21" F
137-1311	Seat Cover - Mesh Small
137-1312	Seat Cover - Mesh Large G
137-1653	Idler Arm ASM
137-2597	Rim
137-3387	Decal-Dash
137-3388	Control Panel ASM
137-3571	Tire ASM
137-3644	Belt-V
137-3645	Belt-V
137-3659-03	Blade-Lift, Medium
137-3671-03	Blade-19.00", High Lift
137-5215	Jump Drive - Service and
137-5500	Blade Pack, CE Med Sail (
137-5512	Dynamo
137-5529	Wheel ASM
137-5580	Kit-Mount, Wing
137-5640	Idler Pivot ASM
137-6090	Bedknife-Edgemax Lowcut (
137-6091	Bedknife-Edgemax
137-6092	Bedknife-Edgemax

Part No.	Description
137-6093	Bedknife-Edgemax Lowcut
137-6094	Bedknife-Edgemax (RM22"
137-6095	Bedknife-Edgemax
137-6097	Bedknife-Fairway
137-6101	Long Rear Roller ASM (2.5
137-6103	Short Rear Roller ASM (2.
137-6105	Short Rear Roller ASM (2.
137-6107	Long Rear Roller ASM (2.5
137-6109	Full Front Roller ASM (2.
137-6110	Tube Roller 3.0" Diameter x 2
137-6111	Full Front Roller ASM (3"
137-6112	Tube Roller 3.0" Diaameter x 2
137-6113	Long Rear Roller ASM (3"
137-6114	Short Rear Roller ASM (3"
137-6115	Tube Roller 3.0" Diameter x 2
137-6116	Full Front Roller ASM (3i
137-6117	Short Rear Roller ASM (3i
137-6118	Short Rear Roller ASM (3i
137-6119	Tube Roller 3.0" Diameter x 2
137-6120	Long Rear Roller ASM (3"
137-6121	Full Front Roller ASM (3"
137-6123	Long Rear Roller ASM (2.5
137-6124	Full Front Roller ASM (2.
137-6126	Long Rear Roller ASM (3"
137-6130	Screw-Adjuster, Bedbar
137-6132	Screw-Adjuster, Bedbar
137-6141	Rear Roller ASM
137-6142	Tube-Roller
137-6143	Rear Roller ASM
137-6145	GM Sectional Roller ASM (
137-6147	GM Sectional Roller ASM (
137-6611	Seal Kit
137-6612	Seal Kit
137-6613	Seal Kit
13-7749	Housing & Bearing ASM
13-7759	Housing & Bearing ASM
13-7769	LH Housing & Bearing As
137-8402	ES Reel+, 5" Fwy(18) 8 Bl
137-8403	ES Reel+, 5" Fwy (18) 11
137-8406	ES Reel+, 5" Fwy(18)8 Bld
137-8407	ES Reel+, 5" Fwy(18)11 Bl
137-8409	ES Reel+, 5" Fwy(18)11 Bl
137-8412	ES Reel+, 5" Fwy (22) 8
137-8413	ES Reel+, 5" Fwy (22) 11
137-8416	Reel+, 5" Fwy(22)8 Bld

Part No.	Description
137-8417	Reel+, 5" Fwy(22)11 Bld
137-8422	ES Reel+, 5" Fwy(22)8 Bld
137-8423	ES Reel+, 5" Fwy(22)11 Bl
137-8426	ES Reel+, 5" Fwy(22)8 Bld
137-8427	ES Reel+, 5" Fwy(22)11 Bl
137-8429	ES Reel+, 5" Fwy(22)11 Bl
137-8432	Reel+, 7" Fwy(22)8 Bld
137-8433	Reel+, 7" Fwy(22)11 Bld
137-8437	ES Reel+, 7" Fwy(22)5 Bld
137-8438	ES Reel+, 7" Fwy(22)8 Bld
137-8439	ES Reel+, 7" Fwy(22)11 Bl
137-8444	Es Reel+, 7" Fwy(22)5 Bld
137-8445	Es Reel+, 7" Fwy(22)8 Bld
137-8446	Es Reel+, 7" Fwy(22)8 Bld
137-8447	Es Reel+, 7" Fwy(22)11 Bl
137-8451	Reel+, 7" Fwy(22)5 Bld(Sp
137-8452	Reel+, 7" Fwy(22)7 Bld(Sp
137-8453	Reel+, 7" Fwy(22)11 Bld(S
137-8455	ES Reel+, 7" Fwy(22)11 Bl
137-8459	Reel+,Fwy(27)5 Bld
137-8460	Reel+,Fwy(27)8 Bld
137-8461	Reel+,Fwy(27)11 Bld
137-8464	Es Reel+,Fwy(27)8 Bld
137-8465	ES Reel+,Fwy(27)11 Bld
137-8469	ES Reel+,Fwy(27)5 Bld LD(
137-8470	ES Reel+,Fwy(27)8 Bld LD(
137-8471	ES Reel+,Fwy(27)11 Bld LD
137-8476	Reel+,Fwy(32)5 Bld
137-8477	Reel+,Fwy(32)8 Bld
137-8479	ES Reel+, Fwy(32)8 Bld
137-8482	ES Reel+, Fwy(32)5 Bld LD(
137-8483	ES Reel+, Fwy(32)8 Bld LD(
137-8488	ES Reel, SPA 4bolt, 8 Bld
137-8489	ES Reel, SPA 4bolt, 11 Bl
137-8495	ES Reel, DPA (21), 8 Bld
137-8496	ES Reel, DPA (21), 11 Bld
137-8497	ES Reel, D(A (21), 14 Bld
137-8504	Reel, DPA (21), 5 Bld HD
137-8505	Reel, DPA (21), 8 Bld HD
137-8511	ES Reel+,Low Drag (21), 8
137-8512	Reel+ ASM
137-8513	ES Reel+, LD (21), 14 Bld
137-8517	Reel+, Low Drag (21), 8 B
137-8522	ES Reel+, Low Drag (18), 1
137-8523	ES Reel+, Low Drag (18), 1

Part No.	Description
137-8566	ES Reel-Flex(18), 14 Bld
137-8570	ES Reel-Flex(21), 11 Bld
137-8574	ES Reel-Flex(21), 14 Bld
137-8577	ES Reel-SPA 4 Bolt, 8 Bld
137-8580	ES Reel-SPA 4 Bolt, 11 Bl
137-8594	Bearing Housing ASM
137-8598	Blade-Groomer
137-8599	Blade-Groomer
137-9706	Decal-Warning
138-0587	X-Ref 138-5600
138-1227	Deck Chamber ASM
138-1248	Pivot Yoke ASM
138-1520-01	Bedbar
138-1522-01	Bedbar
138-1547	Roller-Wiehle
138-1557	Roller-Wiehle
138-1618	Roller-Full
138-1619	Roller-Full
138-1620	Roller-Full
138-1621	Roller-Wide Wiehle
138-1622	Roller-Wide Wiehle
138-1930	Low Driven Spindle ASM
138-4975	Hose ASM-Hyd Hp
138-5253	Pivot Hub ASM
138-5270	X-Ref 140-7039
138-5553	Filter-Fuel, 250 Micron
138-5600	Driveshaft ASM
138-5753	8 Bld LD ES Reel+ ASM (26
138-5755	11 Bld LD ES Reel+ ASM (2
138-6303	Arm-Pull-Assembly-RH
138-6311	Arm-Pull-Assembly-LH
138-6335	Retainer-Battery
138-6367	Wrench-Castor Cap/Latch
138-6388	Shaft-Spindle
138-6391	Shaft-Spindle
138-6408	Spindle ASM RH
138-6409	Spindle ASM 72 RC
138-6410	Spindle ASM LH
138-6411	Spindle ASM.
138-6416	Spacer-Spindle, Shaft
138-6465	Spindle Assembly-Center
138-6484	Pin .875 Diameter x 4.40 Large
138-6903	Engine-Kubota, D902
138-6931	X-Ref 136-3339
138-6941	Hyd Cyl ASM

Part No.	Description
138-6994	Cylinder-Hydraulic
138-8207	Damper
138-8242	Tire (23 x 8.5-12) 6 Ply
138-8579	Bimini Shade Kit
138-9028	MVP Kit-Blades, Hgh (GM12
138-9029	MVP Kit-Blades, STD (GM12
138-9146	Element, Air Cleaner (Dua
138-9699	Groomer Shaft ASM
138-9705	Radiator
138-9706	Radiator
139-0686	Rain Cap ASM
139-0956	Hyd Cylinder ASM
139-0959	Cylinder Assembly
139-0972	Radiator
139-0994	Seal Repair Kit
139-1032	High Driven Spindle ASM
139-1033	Double Driven Spindle ASM
139-1034	Single Driving Spindle AS
139-1035	Single Driven Spindle ASM
139-1036	Double Driving Spindle As
139-1037	Double Driven Spindle ASM
139-1038	High Driven Spindle ASM
139-1039	Low Driven Spindle ASM
139-1042	Spindle-Shaft
139-1044	Shaft-Spindle
139-2650	Cylinder, Hyd
139-2651	Cylinder, Hyd
139-2680	Seat ASM
139-2699	Kit, Carbide Grooming Ree
139-2723	Kit-Brake
139-3358	Shock/Spring ASM
139-4318	Bedknife-Edgemax, Microcu
139-4319	Bedknife-Edgemax, Tournam
139-4320	Bedknife-Edgemax, Microcu
139-4321	Bedknife-Edgemax, Tournam
139-4322	Bedknife-Edgemax, Microcu
139-4323	Bedknife-Edgemax, Tournam
139-4324	Bedknife-Edgemax, 26" Mic
139-4346	Roller Tube ASM, 26" Full
139-4475	Tire-20 x 8.00-10
139-4497	MVP Kit 400 Workman GTX
139-5950	Brake Shoe Kit
139-5951	RH Brake ASM
139-5952	LH Brake ASM
139-6017	Filter-Fuel

**PARTS LIST**

**PARTS LIST**

Part No.	Description
139-6031	Pulley-Idler
139-6234	Fuel Filter ASM
139-6472	Pull Link ASM
139-6497	X-Ref to 140-5285
139-6499	X-Ref to 140-5287
139-6522	Engine-Briggs Stratton, Va
139-6524	Engine-Briggs Stratton, Va
139-6528	Hose ASM
139-6529	Hose ASM
139-6530	Hose ASM
139-6531	Hose ASM
139-6532	Hose ASM
139-6533	Hose ASM
139-6534	Hose ASM Case 1
139-6535	Hose ASM Case 2
139-6536	Hose ASM Case 3
139-6539	Pull Link ASM
139-7411	Interlaced Roller Scraper
139-7412	Interlaced Roller Scraper
139-7799-03	Blade-Atomic, 19.00"
140-0000	Bushing-Wire, Scraper
140-0002	Scraper-Wire
140-0016	X-Ref 140-0048SP
140-0016sp	X-Ref to 140-0048SP
140-0028	MVP Kit-Blades, Atomic (G
140-0029	Template-Scraper
140-0034	Roller Scraper Kit
140-0048	X-Ref to 140-0048SP
140-0048sp	Roller ASM
140-0282	Engine
140-0283	Engine
140-2250	Tire
140-2443	Filter-Fuel
140-3058-03	Blade-Rotary, 24.5 Recycl
140-3060-03	Blade-Rotary, 20.5 Recycl
140-3142	Link-Drag, RH
140-3144	Link-Drag, LH
140-3354	X-Ref 140-9258
140-3441	Roller ASM, Wide Wiehle
140-4816	Spark Plug
140-5233	Kit-TriFlex Hydraulic Hos
140-5235	MVP Kit-Hyd Hose, GR3250-
140-5236	MVP Kit-Hyd Hose, GR3150
140-5248	Pin-Ram, Pivot
140-5282	Hyd Hose ASM (Pressure #3

Part No.	Description
140-5283	Hyd Hose ASM (Return #3)
140-5284	Hyd Hose ASM (Pressure #2
140-5285	Hyd Hose ASM (Return #2)
140-5286	Hyd Hose ASM (Pressure #1
140-5287	Hyd Hose ASM (Return #1)
140-5509	ASM - Gear Case Cover
140-5510	Bearing-Sealed, Stainless
140-5514	Brush-Roller (27" HD Hig
140-5530	Shim-Roller (.01")
140-5531	Shim-Toro Reel (.002")
140-5552	GR Roller Rebuild Kit
140-5560	Full Rear Roller(2.0" Di
140-5580	Blade-GR Groomer, Twin Ti
140-5581	Blade-GR Groomer, Helix (
140-5582	Blade-GR Groomer, Helix (
140-5607	Universal Groomer ASM 7in
140-5847	Pulley-Idler
140-5848	Pulley-Idler
140-6101	Pin ASM-Axle Pivot
140-6159	Needle Tine Holder ASM
140-6221	Link & Bushing Assembly
140-6248	Damper
140-7023	Bearing-Flange, 2 Bolt
140-7027	Bearing Service Kit (Qty
140-7039	Bearing Service Kit
14-0829	Reel Frame ASM
140-8561	Pulley-Idler
140-8823	Kit-Tine Holder
140-9214	Roller ASM, Extended Wieh
140-9234	Nut-Hex Lock
140-9258	Rear Roller ASM, 18"
140-9259	Rear Roller ASM, 21"
142-2899	X-Ref 142-6858
142-6858	Kit,Muffler
144-3664	Wheel-Assembly
144-3665	Tire
144-4020	Kit-Fuel Pump, Service
14-4459	Housing-Bedbar
14-4479	Rear HOC Bracket & Bush
14-4489	Front HOC Bracket ASM
145-0057	Kit-Mount, Motor
1-513374	X-Ref 120-2244
1-523420	Bumper
1-603299	Roller-Scalp, Anti
1-603903	Spacer

Part No.	Description
16-1019	Channel
16-9759	X-Ref 140-6221
16-9769	Bedbar Adjuster Housing A
17-1580	Spacer (0.5")
17-1590	Blade-11 Tooth
17-1600	Spacer (0.25")
17-1620	Bushing-Wheel
17-1630	Wheel
17-1640	LH Scraper Whl
17-1650	RH Scraper Wheel
17-2490	Sprocket
17-2520	Stud-Type, Drive
17-8149	Wheel Hub ASM
17-9420	Screw-Handle
17-9426	Screw-Handle
1-806003	Pin-Cotter
18-6320	Washer-Steering
18-6340	Steering Shaft-Lower
18-6370	Chain
18-6380	Pin-Adjustment, Steering
18-7160	Pin-Cylinder
18-7310	Pin-Cylinder
18-7530	Ball Joint Assembly Cente
18-7660-01	Swivel Brkt ASM
1891	E-Ring
19-1470	Screw-Shoulder
19-1471	Screw-Shoulder
19-2090	Choke Control
19-9540	LH Spring
19-9550	RH Spring
19-9560	Spring Spacer
19-9820	Bed Bar Pivot
20-4290	Mat-Drag
20-4670	Drag Link
20-7380-01	Blade-Spike, Profiled
20-9500	Washer
21-0890	V-Belt
21-1030	Spanner Bushing
2112-11	Clamp-Muffler
2112-9	Clamp
21-1880	Grip-Handle
21-3001	Nut-Jam
21-3850	Roller BRG w/46-8960
21-3860	Wheel
21-3870	Axle ASM

Part No.	Description
215-75	Hold Down Spring
21-6410	Bearing-Roller, Front
217-117	Wheel
217-60	Rim
217-74	Bolt-Wheel
21-8180	Bearing ASM
21-8450	Rear Roller ASM
21-8470	Shaft-Roller
218-578	Fuse-Blade, 10 Amp
218-594	Fuse-20 Amp
21-8640	Latch-Lever, Valve
21-9370	Screw-Adjusting
21-9380	Nut-Pivot
21-9390	Socket-Screw, Adjusting
21-9420	Spring-Return, LH
21-9430	Spring-Return, RH
21-9440	Spring-Screw, Adjusting
21-9450	Shield-Dust
21-9460	Retainer-Lever, Brake
2210-118	Gasket w/Engine
22-8720	Seal Kit
23-0660	Switch-Starter
231-101	Tire (23x8.5-12) 4-Ply Tu
231-103	Tire(20x8-10) 4-Ply
231-105	Tire-Ribbed
231-122	Tire-4-Ply
231-126	Tire (13x5-6) 4-Ply Ribbe
231-3	Tire(16x4.8-8)2-Ply Pneum
231-95	Tire(23x10.5x12) 4-Ply Wi
232-24	Stem-Valve
23-2270	Bushing-Rubber
232-3	Tube-Inner
23-2300	Filter-Oil, Transmission
232-37	Tube
23-2410-03	Blade-High Sail, 25",
23-2790-01	Blade-Scraper
233-21	Knob
233-25	Knob-Control
233-42	Knob
233-48	Knob
233-70	Knob-Star, Three
23-4800	Throttle Control
237-101	O-Ring
237-143	O-Ring
237-146	O-Ring

Part No.	Description
237-148	Quad Seal Ring
237-156	O-Ring
237-158	O-Ring
237-161	O-Ring
237-177	O-Ring
237-21	O-Ring
237-22	O-Ring
237-30	O-Ring
237-38	O-Ring
237-42	O-Ring
237-54	O-Ring
237-58	O-Ring
237-65	O-Ring
237-68	O-Ring
237-77	O Ring
237-78	O-Ring
237-79	O-Ring
237-80	O-Ring
237-81	O-Ring
237-84	Grommet
237-86	O-Ring
237-95	O-Ring
237-97	O-Ring
237-99	O-Ring
23-9740	Filter-Oil, Hydraulic
240-11	Bushing-Flange
240-12	Grommet-Rubber
240-14	Bumper-Rubber
240-3	Grommet-Rubber
240-4	Grommet-Rubber
240-5	Grommet
240-7	Grommet-Rubber
240-9	Grommet
2410-30	Cap-Plastic
2410-64	Plug-Button
241-119	Cap-Dust
2411-33	Balljoint-RH (w/Grommet)
2411-36	Bearing-End, Rod
2411-38	Joint-Ball
2411-40	End-Rod
2411-41	Rod End-Ball Joint
2411-42	Joint-Ball, LH
2411-43	Joint-Ball
2411-44	End-Rod
2411-46-03	LH Tie Rod ASM

Part No.	Description
2412-10	Clamp-R
2412-108	Clamp-Worm
2412-111	Clamp-Hose, w/Liner
2412-125	Clamp-Hose
2412-129	Clamp-Hose
2412-130	Clamp-Hose
2412-133	Clamp-R
2412-134	Clamp-R
2412-137	Clamp-R, Double
2412-143	Clamp-Hose
2412-146	Clamp-Hose
2412-3	Clamp-Hose
2412-34	Clamp-Hose
2412-36	Clamp-Hose
2412-37	Muffler Clamp
2412-4	Clamp-R
2412-41	Clamp-R
2412-73	Clamp-R
2412-89	Clamp-R
2412-92	Clamp-Hose
2412-94	Clamp
2412-98	Clamp-Hose
242-50	Nut-Lug
24-8840	Ring-Retaining, Wheel Bea
24-9180	Strut & Lever ASM
249-40	Keeper
251-206	1.000 RLL Ball Bearing
251-247	Housed BRG
251-252	Bearing
251-253	Bearing
251-257	Bearing-Ball
251-259	Bearing-Ball
251-293	Bearing
251-311	Bearing-Ball
251-312	Bearing-Ball
251-318	Bearing-Ball
251-321	Bearing-Ball, Flanged
251-327	Bearing-Ball
251-331	Bearing
251-336	Bearing-Ball
251-337	Bearing
251-338	Bearing-Ball
251-342	Bearing-Ball
251-346	Bearing-Ball
251-347	Bearing-Ball

**PARTS LIST**

**PARTS LIST**

Part No.	Description
251-352	Bearing
251-6	Bearing-Ball
251-77	Collar-Lock, Bearing
251-8	Bearing-Ball
251-82	Bearing-Ball
25-2400	Gasket
252-6	Bearing-Needle
25-2630	Ring-Back Up
252-66	Bearing-Thrust
253-111	Seal-Oil
253-117	Seal-Oil
253-118	Seal-Oil
253-120	Seal-Oil
253-122	Seal-Oil
253-129	Seal
253-133	Seal-Oil
253-134	Seal-Grease
253-137	Oil Seal
253-138	Seal-Oil
253-139	Seal-Oil
253-141	Seal
253-152	Seal-Oil
253-154	Seal-Oil
253-159	Seal
253-163	Seal
253-165	Seal-Oil
25-3210	Seal-Lip
253-61	Seal-Oil
253-70	Seal-Oil
253-83	Seal-Oil
253-84	Seal-Oil
253-96	Seal-Oil
254-106	Cone-Bearing, Tapered
254-107	Cup-Bearing, Tapered
254-62	Bearing-Roller, Cone
254-65	Bearing-Roller, Cone
254-66	Cup-Bearing, Roller
254-67	Cup-Bearing, Roller
254-68	Cone-Bearing, Roller
254-72	Bearing-Cup, Tapered
254-78	Bearing-Cone
254-79	Bearing-Roller, Cup
254-86	Locknut
254-87	Washer-Lock
254-90	Bearing-Cup

Part No.	Description
254-91	Cone-Bearing
254-92	Cone-Bearing, Outer
254-94	Bearing-Cone, Tapered
256-1	Bushing
256-113	Bushing-Flange
256-115	Washer-Thrust
256-116	Bushing-Flange
256-132	Bushing-Flange
256-155	Bushing-Flange
256-156	Bushing-Flange
256-172	Bushing
256-185	Bushing
256-2	Bushing
256-219	Bushing
256-234	1.0id x 1.0lg Bushing
256-236	Bearing-Mount, Flange
256-239	Bearing-Pillow Block
256-243	Bearing-Flange
256-251	Bushing
256-252	Bearing-Flange
256-254	Bushing
256-257	Bushing-Nyliner
256-287	Bushing
256-292	Bushing-Flange, NI
256-304	Washer-Thrust
256-311	Bushing-Split
256-317	Bushing
256-42	Bushing
256-76	Bushing
257-11	Washer-Thrust
257-5	Washer-Thrust
257-6	Bearing-Thrust
26-1530-01	Fork-Castor
26-1580	Spacer 1/2 In
26-1820	Capscrew
26-1840	Pulley-Idler
26-1990	Washer-Belleville
26-3790	Nut-Lock
26-6740	Temp Reset Relay
26-8250-01	Pin-Arm, Lift
26-8310-01	Bail-Lift
27-0870	Spindle ASM
27-0920	Shaft
27-0950	Spacer
27-0960	Bearing ASM

Part No.	Description
27-0970-03	Pulley ASM
27-0990-03	Blade-18"
2710-11	Link-Chain
2710-20	Link-Offset
2710-31	Link-Connecting, No. 35
27-1040	Spacer
27-1050	Castor Wheel
27-1160	V-Belt
27-1170	Thrust Washer
27-1180	Bearing Retainer
27-1190	Wheel
27-1200	Spanner Bushing
27-1210	Roller Bearing
27-1970	Hub-Pump
27-2060	Rear Unit Return Hose
27-2150	Engine Mounting Pad
27-2270	Rod-Adjustment, Brake
27-2320	Bearing
27-2360	Switch
27-2650	HOC Adjustment ASM
27-3070	Engine Wire GRD ASM
27-4240	Pin-Cylinder
27-5170	Seat
27-5970	Spacer-Set, Matched
27-6590	Spacer-Coupling, Rubber
27-6602	Spacer-Coupling, Rubber
27-7180	Cap
27-9080	Bearing-Flange
28-0670	Seal-Grease
281-3	Plug-Pipe, SQH
28-1590	Throttle Control
28-1600	Choke Control
282-2	Yoke
283-1	Pin-Clevis
283-10	Pin-Clevis
283-14	Pin-Clevis
283-55	Pin-Clevis
283-57	Pin-Clevis
283-6	Pin-Clevis
283-61	Pin-Yoke
283-62	Pin-Clevis
28-3680	Tire
283-71	Pin-Lynch
283-73	Pin-Clevis
283-8	Pin-Clevis

Part No.	Description
283-82	Pin-Clevis
283-83	Pin-Clevis
283-88	Pin-Clevis
28-4210	Solenoid
285-17	Plug-Pipe
28-8720-01	Long Lift Bail ASM
29-4820	Roller
29-5530-03	Blade-Standard, 25"
29-6162	Switch-Micro
29-6163	Switch-Micro
29-8870	Washer
29-8910	Washer
29-9100	Brush & Handle ASM
30001	MVP Kit-GM228
30002	MVP Kit-GM225
30004	MVP Kit-Mid Workman
30005	MVP Kit-Mid Duty Workman
30006	MVP Kit-Workman
30008	MVP Kit-Hydroject
30010	MVP Kit-GM3000
30012	MVP Kit-RM4000
30014	MVP Kit-RM6500/6700
30015	MVP Kit-RM52/54/5500
30016	MVP Kit-RM3100
30017	MVP Kit-Hd Workman
30018	MVP Kit-Gr3250
30021	MVP Kit-GM345
30022	MVP Kit-GM328D
30023	MVP Kit-GM325
30024	MVP Kit-GM580-D
30027	MVP Kit-GM3500
30028	MVP Kit-GM455
30029	MVP Kit-GM4000/4100
30030	MVP Kit-GM223
30034	MVP Kit-GM3280
30035	MVP Kit-Sandpro
30036	MVP Kit-Line Painter
30037	MVP Kit-GM7200/7210
30038	MVP Kit-RM5500
30039	MVP Kit-RM5210/5410/5510
30040	MVP Kit-RM5610
30041	MVP Kit-GM5900/5910
30042	400 Hour Maintenance Kit
30043	400 Hour Maintenance Kit:
30051	MVP Filter Kit-GM3280D (2

Part No.	Description
30052	MVP Filter Kit-GM72000D (
30053	X-Ref 44963
30054	MVP Filter Kit-RM5XXX (20
30055	MVP Filter Kit-RM5610D (2
30056	MVP Filter Kit-GM4000D (2
30057	MVP Filter Kit-RM6XXXX (2
30058	MVP Filter Kit-GM35XXD (2
30059	MVP Filter Kit-GM328D (20
30061	MVP Filter Kit-RM4000D (2
30062	MVP Filter Kit-GR3250D (2
30063	MVP Filter Kit-GM580D (20
30064	MVP Filter Kit-GR3150
30065	MVP Kit-Filter/Spark Plug
30068	MVP Kit-400 Hour,HDX-D 12
30073	MVP Kit 400 Hour, WMHDX 12
30086	500 Hour Maintenance Kit
30089	MVP Kit-GM4XXX, 800 HR YA
30090	400 Hour MVP Filter Kit-R
30091	800 Hour MVP Kit-RM5410G/
30093	800 Hour MVP Kit-RM5410D/
30097	MVP Kit-Filter/Spark Plug
3-0144	Shaft
302-11	Fitting-Lube, 45 Degree
302-14	Vent
302-18	Fitting-Grease
302-2	Fitting-Grease
302-33	Fitting-Grease
302-34	Fitting-Lube
302-39	Fitting-Plug
302-40	Fitting-Grease, 90 Degree
30245	MVP Kit - GM3500 (Kubota
30246	MVP Kit-GM3500-G (Kubota
30247	MVP Filter Kit - RM5010-H
30248	MVP Kit 400hr Workman HDX
30249	MVP Kit 400hr Workman HDX
302-5	Fitting-Grease
302-57	Fitting-Grease
302-60	Fitting-Grease
30261	400 Hour MVP Kit, GM360 7
30262	GM3280 MVP Kit (MY16 and
302-62	Fitting-Grease
3-0312	Gasket
30408	MVP Kit-GM4XXX, 800 HR YA
304-46	Draincock
304-61	Clamp-R

Part No.	Description
31-0750	Roller-Front
31196	500 Hour MVP Maint Kit, O
3-1506	Bushing
31609	GM5900 T4 Final Fluid Filt
3210-2	Screw-HH
32103-12	Nut-Wing
32103-22	Nut-Wing
3210-4	Screw-HH
32104-116	Screw-HWHTF
32104-17	Screw-HWH
32104-32	Screw-HWH
32104-76	Screw-HWHTF
32104-95	Screw-HWH
32105-13	Screw-HWH
32105-2	Screw-SHWH
32105-21	Screw-HH
32105-9	Screw
3210-6	Screw-HH
32108-101	Screw-FH
32108-20	Screw
32108-9	Screw-FH
321-10	Screw-HH
321-11	Screw-HH
3211-2	Screw-HH
3211-4	Screw-HH
3211-40	Screw-HH
321-15	Screw-HH
3211-6	Screw-HH
321-18	Screw-HH
321-2	Screw-HH
32120-15	Ring-Snap, External
32120-18	E-Ring
32120-19	E-Ring
32120-22	Ring-Snap, Internal
32120-37	Ring-Retaining
32120-42	Ring-Retaining
32120-47	Ring-Retaining, External
32120-62	Ring-Retaining
32120-72	Ring-Snap
32120-8	Ring-Snap
32120-84	Ring-Snap, External
32120-93	Ring-Retaining
32121-11	Pin-Roll
32121-110	Pin-Roll, Slotted
32121-111	Pin-Roll

**PARTS LIST**

**PARTS LIST**

Part No.	Description
32121-112	Spirol Pin 1/4" x 1.25"
32121-12	Pin-Roll
32121-122	Pin-Roll
32121-123	Pin-Roll
32121-15	Pin-Roll
32121-16	Pin-Spring
32121-2	Pin-Roll, Slotted
32121-24	Pin-Spring
32121-3	Pin-Spring
32121-32	Pin-Roll
32121-34	Pin-Roll
32121-35	Pin-Roll
32121-36	Pin-Spring
32121-44	Pin-Roll
32121-45	Pin-Spring
32121-50	Pin-Spring
32121-51	Pin-Roll
32121-6	Pin-Roll, Slotted
32121-67	Pin-Spring
32121-69	Pin-Spring
32121-73	Pin-Roll
32121-9	Pin-Roll, Slotted
321-23	Screw-HH
3212-4	Screw-HH
32128-12	Nut-Flange
32128-15	Nut-Lock, Flange
32128-16	Nut-HHF
32128-17	Nut-Lock, Flange
32128-19	Nut-HF Lock, Large Flg
32128-20	Nut-HF
32128-21	Nut-HF Lock
32128-23	Nut-HF
32128-25	Nut-HF
32128-32	Nut-HHF
32128-33	Nut-HF
32128-36	Nut-HF
32128-37	Nut-HF
32128-39	Nut-HHF
32128-42	Nut-HF
32128-43	Nut-Flange
32128-48	Nut-Lock, HHF
32128-49	Nut-HHF
32128-54	Nut-HF
321-3	Screw-HH
3213-1	Screw-HH

Part No.	Description
3213-2	Screw-HH
3213-20	Screw-HH
32136-2	Nut-SHH
32136-9	Nut-Hex, Slotted
3213-8	Screw-HH
321-4	Screw-HH
32140-94	Screw-HH, Sems
32141-111	Nut-Adjusting
32141-36	Screw-Adjustment, Level
32144-1	Screw-Taptite
32144-10	Screw-HWH
32144-102	Screw-HWH
32144-14	Screw-HWHTF
32144-18	Screw-HWH
32144-4	Screw-HWH
32144-44	Screw-HWH, Thread Roll
32144-57	Screw
32144-69	Screw-HWHTF
32146-13	Nut-Hex
32146-20	Nut-Hex
32148-6	Nut-Clinch
32149-2	Nut-Keps
32149-8	Nut-Keps
321-5	Screw-HH
32151-104	Ring-Retaining, External
32151-12	Ring-Retaining
32151-34	Ring-Retaining
32151-36	Ring-Retaining
32151-47	Ring-Retaining
32151-60	Ring-Snap
32151-61	Ring-Retaining
32151-62	Ring-Retaining
32151-71	Ring-Retaining, Internal
32151-75	Ring-Retaining
32151-77	Ring-Retaining, External
32151-92	Ring-Retaining
32151-95	Ring-Retaining
32152-1	Nut-Lock, Cone
32152-4	Nut-Lock, Cone
32153-5	Nut-Hex
32153-6	Nut-Lock
321-6	Screw-HH
3216-16	Screw-HH
3217-12	Nut-Hex
3217-5	Nut-Hex

Part No.	Description
3217-6	Nut-Hex
3217-7	Nut-Hex
3217-8	Nut-Hex
3217-9	Nut-HH
32180-030	Clip-Tie
3218-1	Nut-Jam
3218-13	Nut-Jam, Brass
3218-18	Nut-Jam
3218-2	Nut-Hex Jam
3218-3	Nut-Jam
3218-5	Nut-Jam
3218-7	Nut-Jam
3219-1	Nut-Hex
3219-10	Nut-Hex
3219-14	Nut-Hex
3219-2	Nut-Hex
3219-3	Nut-Hex
3219-5	Nut-Hex
3-2198	Hook
3220-1	Nut-Jam
3220-12	Nut-Hex Jam LH
3220-16	Nut-Hex Jam, LH
3220-18	1-1/8-12 Jam Nut
3220-2	Nut-Jam
3220-20	Nut-Jam
3220-25	Nut-Jam
3220-26	Nut-Jam
3220-3	Nut-Hj
3220-5	Nut-Jam
3220-6	Nut-Jam
3220-7	Nut-Jam
3220-9	Nut-Jam
322-1	Screw-HH
322-10	Screw-HH
322-11	Screw-HH
322-12	Screw-HH
322-13	Screw-HH
322-14	Screw-HH
322-16	Screw-HH
322-17	Screw-HH
322-2	Screw-HH
322-20	Screw-HH
322-23	Screw-HH
322-26	Screw-HH
322-29	Screw-HH

Part No.	Description
322-3	Screw-HH
322-4	Screw-HH
322-42	Screw-HH
322-49	Bolt-HH
322-5	Screw-HH
322-6	Screw-HH
322-7	Screw-HH
322-8	Screw-HH
322-9	Screw-HH
3229-1	Screw-Carr
3229-11	Screw-Carr
3229-2	Screw-Carr
3229-20	Screw-Carr
3229-34	Screw-Carr
3230-1	Bolt-Carr
3230-2	Bolt-Carr
3230-22	Screw-Carr
3230-23	Bolt-Carr
3230-26	Screw-Carr
3230-30	Screw-Carr
3230-5	Bolt-Carr
3230-6	Bolt-Carr
3230-7	Bolt-Carr
323-10	Screw-HH
323-11	Screw-HH
3231-2	Bolt-Carr
323-12	Screw-HH
3231-21	Screw-Carr
3231-22	Screw-Carr
3231-25	Bolt-Carr
3231-27	Screw-Carr
323-13	Screw-HH
3231-33	Screw-Carr
3231-4	Screw-Carr
323-14	Screw-HH
3231-5	Screw-Carr
323-15	Screw-HH
323-17	Screw-HH
3231-9	Screw-Carr
323-19	Screw-HH
323-2	Screw-HH
323-20	Screw-HH
323-23	Screw-HH
323-29	Screw-HH
3233-26	Screw-Carr, Shortneck

Part No.	Description
3233-34	Screw-Carr
3233-4	Screw-Carr
323-4	Screw-HH
3234-1	Screw-HHF
3234-11	Screw-HHF
3234-12	Screw-HHF
3234-13	Screw-HHF
3234-14	Screw-HHF
3234-17	Screw-HHF
3234-18	Screw-HHF
3234-19	Screw-HHF
3234-24	Screw-HHF
3234-27	Screw-HHF
3234-29	Screw-HHF
3234-32	Screw-HHF
3234-33	Screw-HHF
3234-34	Screw-HHF
3234-36	Screw-HHF
3234-38	Screw-HHF
3234-4	Screw-HHF
3234-42	Screw-HHF
3234-5	Screw-HHF
3234-6	Screw-HHF
3234-7	Screw-HHF
323-49	Bolt-Tap
323-5	Screw-HH
323-50	Bolt-HH
323-52	Screw-HH
323-53	Screw-HH
323-58	Bolt-Tap, HH
323-6	Screw-HH
323-7	Screw-HH
323-8	Screw-HH
323-9	Screw-HH
324-10	Screw-HH
324-13	Screw-HH
3241-5	Screw-Set
3241-6	Screw-SQH
3241-7	Screw-SQH
324-19	Screw-HH
3242-1	Screw-SQH
3242-2	Screw-SQH
3242-4	Screw-Set, SQH
324-25	Screw-HH
3242-9	5/16-18 x 1-3/4 SQ H SS

Part No.	Description
3243-1	Screw-Set
3243-13	Screw-Set, SQH
324-5	Screw-HH
3245-1	Screw-Set, HSH
3245-35	Screw-Set, HSH
3245-42	Screw-Set
324-6	Screw-HH
3246-17	Setscrew-HSH
3246-2	Screw-Set, HSH
324-7	Screw-HH
324-8	Screw-HH
3249-3	Screw-PRH
3250-13	Screw-PPH
3250-17	Screw-PPH
3250-36	Screw-PPH
325-10	Screw-HH
325-11	Screw-HH
325-12	Screw-HH
325-13	Screw-HH
325-14	Screw-HH
325-17	Screw-HH
325-18	Screw-HH
325-19	Screw-HH
325-2	Screw-HH
325-22	Screw-HH
3252-4	10-24 x 3/4 Fil HD MS
325-3	Screw-HH
3253-17	Washer-Lock
3253-21	Washer-Lock
3253-3	Washer-Lock
325-33	Screw-HH
3253-4	Washer-Lock
3253-5	Washer-Lock
3253-6	Washer-Lock
3253-7	Washer-Lock
3253-8	Washer-Lock
325-4	Screw-HH
3254-1	Washer-Lock, Internal
3254-17	Washer-Lock
3254-2	Washer-Lock, Internal
3254-21	Washer-Lock, Internal
3254-4	Washer-Lock, Internal
3254-6	Washer-Lock, Internal
3254-8	Washer-Lock
325-5	Screw-HH

**PARTS LIST**

**PARTS LIST**

Part No.	Description
3255-16	Washer-Lock, External
3255-2	Washer-Lock, External
3255-7	Washer-Lock, External
3255-8	Washer-Lock
3255-9	Washer-Lock
325-6	Screw-HH
3256-1	Washer-Flat
3256-14	Washer-Flat
3256-15	Washer-Flat
3256-16	Washer-Flat
3256-2	Washer-Flat
3256-21	Washer-Flat
3256-22	Washer-Flat
3256-23	Washer-Plain
3256-24	Washer-Flat
3256-25	Washer-Flat
3256-26	Washer-Flat
3256-28	Washer-Flat
3256-3	Washer-Flat
3256-35	Washer-Flat
3256-38	Washer-Flat
3256-4	Washer-Flat
3256-42	Washer-Flat
3256-45	Washer-Flat
3256-46	Washer-Flat
3256-49	Washer-Plain
3256-5	Washer-Flat
3256-51	Washer-Flat
3256-56	Washer-Flat
3256-6	Washer-Flat
3256-62	Washer-Flat
3256-67	Washer
3256-69	Washer-Flat
3256-7	Washer-Flat
3256-74	Washer-Flat
3256-77	Washer-Flat
3256-78	Washer-Flat
3256-82	Washer-Flat
325-7	Screw-HH
3257-3	Key-Woodruff
3257-32	Key-Woodruff
3257-33	Key-Woodruff
3257-42	Key-Woodruff
3257-5	Key-Woodruff
325-8	Screw-HH

Part No.	Description
3258-166	Screw-PRH
325-9	Screw-HH
3262-3	Rivet-Button Head
3269-11	Rivet-Pop
3269-15	Rivet-Pop
3269-18	Rivet-Blind
3269-23	Rivet-Pop
3269-28	Rivet-Pop
3269-3	Rivet-Pop
3269-4	Rivet-Pop
3269-8	Rivet-Blind
327-14	Screw-HH
327-15	Screw-HH
327-17	Screw-HH
3272-1	Pin-Cotter
3272-10	Pin-Cotter
3272-11	Pin-Cotter
3272-12	Pin-Cotter
3272-13	Pin-Cotter
3272-16	Pin-Cotter
3272-19	Pin-Cotter
3272-23	Pin-Cotter
3272-25	Pin-Cotter
3272-37	Pin-Cotter
3272-4	Pin-Cotter
327-24	Screw-HH
327-25	Screw-HH
3272-6	Pin-Cotter
3272-7	Pin-Cotter
3273-14	Screw-HSH
3274-1	Screw-HSH
3274-104	Screw-HSBH
3274-105	Screw-HSBH
3274-12	Screw-HSH
3274-22	Screw-HSH
3274-31	Screw-Hsbh
3274-39	Screw-HSBH
3274-5	Screw-HSH
3274-52	Screw-HSH
3274-69	Screw-HSBH
3274-7	Screw-HSH
3274-74	Screw-HSH
3274-80	Screw-HH
3274-93	Screw-HSH
3274-99	Screw-HSH

Part No.	Description
327-7	Screw-HH
3283-1	Pin-Grooved
328-5	Screw-HH
328-9	Screw-HH
3289-4	Screw-FH
3290-125	Screw-Set, HSH
3290-133	Screw
3290-134	Screw
3290-148	Nut-HF
3290-237	Slot HD Screw
3290-244	Washer-Lock
3290-271	Rivet-Pop
3290-317	Washer-Spring
3290-321	Screw-HWH
3290-343	Pin-Hair
3290-355	Pin-Hair
3290-357	Nut-HSF
3290-360	Screw-HH
3290-378	Tie-Cable
3290-379	Tie-Cable
3290-382	Rivet-Pop
3290-384	Pin-Lynch
3290-440	Washer-Belleville
3290-450	Washer-Belleville
3290-455	Washer-Belleville
3290-467	Pin-Hair
3290-477	Washer-Curved
3290-485	Washer-Wave
3290-495	Pin-Klik
3290-55	Rivet-Pop
329-1	Screw-HH
329-2	Screw-HH
3295-46	Rivet
32-9610	Roller Shaft
3296-12	Nut-Lock, NI
3296-15	Nut-Lock, NI
3296-16	Nut-Lock, NI
3296-19	Nut-Hex
3296-2	Nut-Lock, NI
3296-20	Nut-Lock, NI
3296-23	Nut-Lock, NI
3296-25	Nut-Lock, NI
3296-26	Nut-Lock, NI
3296-28	Nut-Lock, NI
3296-29	Nut-Lock, NI

Part No.	Description
3296-33	Nut-Lock, NI
3296-39	Nut-Lock, NI
3296-4	Nut-Lock
3296-42	Nut-Lock, NI
3296-44	Nut-Lock, NI
3296-45	Nut-Hex
3296-47	Nut-Lock, NI
3296-48	Nut-Hex
3296-49	Nut-Lock, NI
3296-5	Nut-Hex
3296-50	Nut-Lock, NI
3296-51	Nut-Lock, NI
3296-53	Nut-Lock, NI
3296-56	Nut-Lock, NI
3296-57	Nut-Lock, NI
3296-6	Nut-Lock
3296-60	Nut-Lock, NI
3296-62	Nut-Lock, NI
3296-67	Nut-Lock, NI
3296-8	Nut-Hex
3296-9	Nut-Hex
33003-00	Nut-HF
33004-00	Nut-HF
33014-00	Nut-Hex
33023-00	Nut-Lock
33024-00	Nut-Lock, NI
33025-00	Nut-Lock, NI
33026-00	Nut-Hex
33028-00	Nut-Lock, NI
33-0630	Brush
33093-00	Washer-Flat
33094-00	Washer-Plain
33096-00	Washer-Flat
33098-00	Washer-Flat
33-1000	Scraper Brush ASM
33103-012	Screw-HHF
33103-016	Screw-HHF
33103-020	Screw-HHF
33103-040	Screw-HHF
33103-045	Screw-HHF
33104-016	Screw-HHF
33104-020	Screw-HHF
33104-025	Screw-HHF
33104-030	Screw-HHF
33104-040	Screw-HHF

Part No.	Description
33105-025	Screw-HHF
33105-030	Screw-HHF
33106-090	Screw-HHF
33113-008	Screw-HH
33113-012	Screw-HH
33113-016	Screw-HH
33113-020	Screw-HH
33113-025	Screw-HH
33113-030	Screw-HH
33114-010	Screw-HH
33114-016	Screw-HH
33114-020	Screw-HH
33114-025	Screw-HH
33114-030	Screw-HH
33114-035	Screw-HH
33114-040	Screw-HH
33114-060	Screw-HH
33115-016	Screw-HH
33115-020	Screw-HH
33115-025	Screw-HH
33115-030	Screw-HH
33115-050	Screw-HH
33115-080	Screw-HH
33115-090	Screw-HH
33118-045	Screw-HH
33118-140	Screw-HH
33123-016	Screw-Carr
33124-020	Screw-Carr
33124-025	Screw-Carr
33125-025	Screw-Carr
33125-030	Screw-Carr
33125-045	Screw-Carr
33-3090	Bushing
3334-945	Tie-Cable
3-3891	Finger-Throwout, LH
3-3892	Bearing-Finger, Throwout
3-3904	Finger-Throwout, RH
340-1	Fitting-Straight
3-4010	Bushing ASM
340-101	Fitting-Hyd, 45 Degree
340-103	Fitting-Hyd, 45 Degree
340-105	Fitting-Elbow, 90 Degree
340-109	Fitting-Tee
340-126	Nut-Bulkhead

Part No.	Description
340-127	Nut-Bulkhead
340-128	Nut-Bulkhead
340-129	Fitting-Elbow, 90 Degree
340-132	Fitting-Elbow, 90 Degree
340-136	O-Ring
340-138	Fitting-Hyd, 45 Degree
340-139	Fitting-Elbow 90
340-14	Fitting-Hyd, 45 Degree
340-142	Fitting-Elbow, 90 Degree
340-154	Union-Bulkhead
340-156	Fitting-Elbow 45
340-157	Fitting-Hyd, Tee
340-16	Fitting-Hyd, 90 Degree
340-17	Fitting-Elbow, 90 Degree
340-18	Fitting-Hyd, 90 Degree
340-2	Fitting-Straight
340-3	Fitting-Straight
340-4	Fitting-Straight
340-6	Fitting-Straight
340-65	O-Ring
340-68	Fitting-Tee, Bulkhead
340-7	Fitting-Straight
340-70	Nut-Lock
340-72	Fitting-Bulkhead, 90 Degree
340-74	Nut-Lock, Bulkhead
340-77	Fitting-Elbow, 90 Degree
340-78	Nut-Lock
340-82	Fitting-Elbow, 90 Degree
340-86	Fitting-Tee
340-87	Fitting-Elbow, 45 Degree
340-88	Fitting-Straight
340-89	Fitting-Hyd, 45 Degree
340-92	Fitting-Straight
340-98	Fitting-Elbow, 90 Degree
3-4160	LH Idler Ring ASM
3-4170	RH Idler Ring ASM
3-4244	Pulley-Idler
353-212	Fitting-Elbow, 45 Degree
353-384	Fitting-Straight
353-426	Fitting-90 Degree
353-427	Fitting-45 Degree
353-461	Hyd Motor Seal Kit
353-511	Fitting-Hyd, 90 Degree
353-515	Seal & Ret Kit
353-550	Plug-Hyd, HH

**PARTS LIST**

**PARTS LIST**

Part No.	Description
353-564	Fitting-90 Degree
353-743	Load Seal Kit
353-781	Fitting-Hyd, 90
353-783	Fitting-STR
353-877	Fitting-Hyd, Tee
353-949	O-Ring
353-957	Cup-Seal
353-979	Fitting-STR
353-987	Fitting-Elbow, 90
353-988	Plug-Hex
353-990	Plug ASM
354-120	Fitting-Elbow, 90
354-121	Fitting-STR
354-126	Fitting-Elbow, 45
354-136	Fitting-STR
354-73	Fitting
354-78	Fitting-STR
354-79	Cap-Dust
360-0398	O-Ring
361-1	Apple Red Spray Paint
361-10	Toro Red 12 oz Aerosol Can
36-1740	Roller-Deck
3-6498	Washer-Thrust
3-6573	Bedknife-Service only
3-6685	Spring
36-7190	Grass Shield ASM
36-7250	GM-3 Grass Basket
36-7260	Bar-Off, Cut
36-7420	Bearing-Ball
3-6775	Washer
3-6777	Washer
3-6778	Axle Slinger
3-6781	Washer-Thrust
37-2760-01	Pin-Lift, Bail
37-3490-01	Bracket-Drawbar
3-7442	Lower Washer
3-7445	Stud-Ring, Ratchet
37-6730	Cup-Bearing
37-8030-03	Pump Mount
38-0410	Nut-Hex
38-3400	Guard-Rubber
3-8386	Nut-Pinion, Reel
3-8448	Washer-Thrust
3-8514	Washer-Thrust
38-5250	Pump-Valve Hose

Part No.	Description
38-7330	Shield Washer
38-7420	Bedknife, RM
38-7820	Bearing-Ball
3-9116	Shaft-Idler Pinion, RH
3-9117	Shaft-Idler Pinion, LH
3-9280-01	Drawbar
39-9590	Roller ASM
40-0340	Shaft-Roller, Rear
40-0370-01	FRT Castor FRK Wa
40-3760-03	Blade-18"
40-6400	Shaft-Roller
40998	Seat-Gasket
40999	Clamp
411024	Belt Variator 520
41480	Valve - 1" Motorized CT
41679	Belt - Drive
41-9150	V-Belt, Torque Team
42-1910	Plate Wa
42-1940	Rake Prong
4-2219	Reel ASM
42-3560	Bolt-Shoulder
42-4800-01	Scraper ASM
42-9030	Filter-Oil
42-9100	V-Belt, Fan
43-0090	Screw-HH
43-1820	Fuel Filter
43-2550	Filter-Pump
43-2830	Nut-Hex
43-3860	Shaft-Pivot, PTO
43-3990	Control-Throttle
43-5910	Fan Belt
43-5930	Washer-Lock, Spring
43-6810	Spider-Torque
44-0870	Cam Shaft ASM
44-2200	Screw-Blade
44-2500	Hyd Oil Dye (Red)
44-5480	Blade-High Sail
44-5560	Head-Filter, Oil
44-6250-03	Blade-21.5"
44-6260	V-Belt
44-6340	Pulley & Hub ASM
44-6370	Spindle ASM
44-8990	V-Belt
44955	MVP Kit 1000 Hour - GR315
44957	MVP Kit 1000 Hour - Sandp

Part No.	Description
44958	MVP Kit 1000 Hour - GM590
44959	MVP Kit 1000 Hour - RM5XX
44960	MVP Kit 1000 Hour - RM561
44962	MVP Kit 1000 Hour - GM35X
44963	MVP Kit, 1000 Hr, GM35XX/
44964	MVP 1KHR - RM5410D/5510D/
44965	MVP Kit, 1000-Hour, GM350
44966	MVP Kit 1000 Hour - RM501
44967	MVP Kit 1000 Hour - GM4XX
44968	MVP Kit 1000 Hour - GR325
44969	MVP Kit 1000 Hour - GR330
44970	MVP Kit 1000 Hour - GR340
44971	Greensmaster Etriflex 400
44975	MVP Kit - Hyd Deck Hose (
4-5189-01	Roller & End Cap ASM
46-0430	Nut-Lock
46-6550	Fitting-Elbow, 90 Degree
46-6560	Bushing
46-7510	Hood-Inlet, Air
46-8530	Bearing ASM
46-8560	Screw-HHFTF
47-2380	Key-Square
47-2890	Bushing
47-4060-01	Cover-Case, Gear ASM
47-4080-01	Bedbar
47-4250	Sleeve-Wear
47-4260	Slinger-Grass
47-4300-01	Handle ASM
47-4380	Nut-Roller Adj, RH (Machi
47-4390	Nut-Roller Adj, LH (Machi
47-4400	Arm-Spring
47-4410	Housing-Retainer
47-4420	Spacer-Sleeve, Adjustment
47-4430	Bushing-Flanged
47-4440	Washer-Plastic
47-4450	Bolt-Shoulder
47-4460	Bolt-Shoulder, ECC
47-4470	Retainer-Ratchet Ring, RH
47-4480	Retainer-Ratchet Ring, LH
47-4490	Pinion-Reel
47-4510	Shaft-Adjusting
47-4530	Retainer-Drawbar
47-5320-01	Lever
47-5640	Spacer-Rubber
47-6680	Bedknife, RM (TDM 11 Bld

Part No.	Description
47-7140	Pulley-Driven
47-7150	Pulley-Drive
47-7160	Belt
47-7170	Gasket-Cover
47-7510	Washer-Nylon
48-7430	Precleaner
48-8880	Pin-Groove
48-9020	Bolt-Shoulder
48-9050	Shield-Plate, Drive
48-9071-01	Cover-Drive Housing, RH
48-9081-01	Cover-Drive Housing, LH
48-9220	Washer-Plain
48-9590	Washer-Lock
49-0390	Spacer
49-2040	Screw-HWHTF
49-4100	Shaft-Axle, Stub
49-5430	Rod-Control
49-5880	Shaft-Support, Seat
49-5900	Steering Wheel ASM
49-5960	Steering Cable
49-6020	Throttle Control
49-6110-01	Guard-Rod, Transmission
49-6120	Pad-Footrest
49-6200-01	Lever-Cutting
49-6220	Bracket-Arm, Control
49-6250	Bracket-Pivot
49-6260	Pivot ASM
49-6290	Pivot Shaft ASM
49-6440-03	Pedal-Forward
49-7660	Bedknife, RM (TDM 5 & 7 B
49-8320	Bearing ASM
5-0652	Spacer
5-0698	Key
5-0946	Key-Square
51-0350	Pin-Spring, Seat
51-0600	Hose ASM
51-0680	Throttle Control
51-0700	Muffler ASM
51-0780	Slider-Seat
51-0790	Adjuster-Seat, LH
5108	Valve
51-0830	Adj Shield
51-0840	Pivot Tube *R
5-1090	Drawbar Clamp -Plt
5-1091	Spacer

Part No.	Description
5-1226	Washer
51-2550	Tire (18 x 4-12) Semi-Pneum
5-1382	Front Roller ASM
5-1393	Shaft-Reel
51-4060	Screw-Blade
5-1457	Gear-Wheel, Drive
5-1460	Cover-Pinion, Reel
5-1461	Knifebar Pivot
5-1463	Pinion-Reel
5-1464-03	Handle-Ratchet, Throwout
5-1468-01	Pneu. Wheel Hub
5-1470	Screw-HH
5-1706	Spring-Extension
52-1460	Grnd.cable
52-2480	Spacer-Wheel
52-2860	Washer
52-2890	Bushing-Nylon
52-2891	Bushing-Flanged, Nylon
52-2900	Washer-Plastic
52-2910	Bolt-Eccentric
52-2920	Pivot-Bedbar
52-2930	Bolt-Shoulder
52-2980	S.p.a. Pivot
52-2990	Spring Ret Capscrew
52-3000	Spring Arm
52-3100	Bolt-HOC Eccentric, LH
52-3110	Bolt-HOC Shoulder, RH
52-3120	Roller ASM
52-3170	Full Front Roller ASM
52-3180	Bearing-Roller, Front
52-3200	Wihle Roller ASM
5-2653	Pulley ASM
5-2673	Axle Shaft
5-2942	Shackle
5-3137	Spacer Tube Bushing
5-3256	Pneumatic Tire Disc
5-3257	Pneumatic Tire Disc
5-3820	Oil Seal
5-3889	Axle Spacer Tube ASM *R
53-9250	Rollr Scrpr Brkt
5-3934	Bolt-Caster
53-9682	Mount-Engine
54-0010-03	Blade
54-0110	Filter-Oil, Transmission
5-4038	Wear Sleeve

Part No.	Description
5-4373	Spring
5-4523	Sleeve
5-4527	Washer-Thrust
54-8810	10-Inch Pneumatic Castor
54-8870	Tire 8"(4-Ply)
54-9180	U-Joint Kit
54-9510	Motor-Hyd, With By-Pass
55-7660	V-Belt
560031w	Roller Rear W/A Harrier 5
56-2140	Screw-HH
56-6220	Bearing
56-6230	Bearing-Roller
56-6360	Filter-Fuel
56-7960	Tire (11-15) 8-Ply
56-7970	Clamp-Tube
56-7971	Clamp-Tube
56-7972	Clamp-Tube
56-7973	Clamp-Tube
56-7976	Clamp-Tube
56-9510	Bushing ASM
56-9520	Bushing-Flanged
57-0240	V-Belt
57-0260	Spindle ASM
57-0690	Pin-Special
57-3210	Screw
57-4940-01	Bedbar
57-5190	Screw-Set, HSH
57-5200	Grass Shield ASM
57-5210	Shield Flap
57-5270	Spring-Compression
57-5280	BRG Cup & Cone Ret
57-6140	Clamp-Tube, Half
57-6220	Link-Connecting
57-6390	Nut-Jam
57-7650	Spring-Torsion
57-8580	Filter
57-9340	Spark Plug
57-9910	Pivot Screw
58-3850	Cable
58-4250	Catch-Magnetic
58-5740	Hose ASM
58-5750	Hose ASM
58-5780	Hose ASM
58-5790	Hose ASM
59-2080	Roller Chain

**PARTS LIST**

**PARTS LIST**

Part No.	Description
59-2500-03	Block
59-2580	Spacer-Tubular
59-3670	Tine-Hollow, 5/8 x 4.75
59-4200	V-Belt
59-5470-01	Bedbar-5 & 7 Blade
59-5560	Cap-Dust
59-5570	Adj Pin
59-5580-01	Handle ASM
59-5630	Roller ASM
59-5690	Sleeve-Wear
59-5780	Roller Bushing ASM
59-5820	Nut-Cone
59-5830-01	Cover-Frame
59-5890	Bedknife (Fairway)
59-5910	Cross & Bearing (
59-6010-01	Bracket-Skid, LH
59-6070-01	R/H Scraper Brkt
59-6080-01	L/H Scraper Brkt
59-6090	RM4000 Rear Roller Scrape
59-6140	Bearing
59-6150	Washer-Pulley
59-6190	Capscrew-Shaft, Reel
59-6250-01	Frame Wa
59-6330	Nut
59-6340	Shoulder Bolt
59-7410	Fitting-Diagnostic
59-7490	Plug-Fitting, Grease
59-8400	Seal Kit
59-9740	Flex Draw Latch ASM
60-5470	Filter Element Kit
60-6500	Screw-HH
6-1030	Housing
61-0380-01	Cap-End,Roller
61-0410	Full Roller ASM
61-0420-01	Support-HOC
61-0430-01	X-Ref 14-4479
61-0790	Screw-HH
61-0910	Bracket-Angle
61-1010	Bedbar Pivot HSG WA
61-1210-01	Bedbar
6-1130	LH Roller Adj Washer
61-1950	Washer-Plastic
61-2670	Wire ASM
61-2790	Filter-Screen
61-3000	Shaft

Part No.	Description
61-3260	Rear Lift Cable
61-3280	Flap-Rubber
61-3290	Flap-Rubber, Middle
61-3380	Belt-V
61-3390	Belt
61-3400	V-Belt
61-3790	Plate-HOC, Front
61-3800	Plate-HOC, Rear
61-4160	Housing-Spindle
6-1600	Solenoid
61-9390-01	Steering Drum
62-2130	Choke Control
62-2170	Washer-Thrust
62-2180	Steering Cable
62-2190	Plain Washer
62-2390-01	Bar-LH Lift Arm
62-2440	Lift Arm ASM
62-2460	Lift Arm ASM
62-2660	Foot Step Pad
62-4340	Spanner
62-4420	Washer
62-4480	Rod-Roller
62-4600	Tine-Hollow, 3/4 x 4.75
62-4610-03	Block
62-5070	Decal-Warning
62-5510	Bushing-Rubber
62-5570	Bearing-Roller
62-5580	Bearing-Outside
62-6080	Bolt-Shoulder
62-6110	Bushing ASM
62-6130	Wihle Roller ASM
62-6390	Fan Belt
62-6470	Drive HSG RH (Mach) *R
62-6480-01	Drive HSG LH (Mach)
62-7120	Washer
62-7700-03	Blade-21"
62-7770	Key-Ignition
63-0070	Spacer
63-0080-03	Blade
63-0960	Rear Castor Spacer
63-1510	V-Belt
63-1540-03	X-Ref 140-5848
63-1770	Spanner
63-2290	Washer-Thrust
63-3410	Screw-Shoulder

Part No.	Description
63-3850	Hose ASM
63-3890	Hose ASM
63-3930	Hose ASM
63-3950	Hose ASM
63-4020	Tube-Hyd
63-4030	Tube-Hyd
63-4050	Fitting-Hyd
63-4080	Fitting-Manifold
63-4480	Tire
63-6240	V-Belt
63-7400	Washer-Rebound
63-7790	Screw-Cap
63-8300	Element-Spin on
63-8360	Key-Ignition
63-8400	Caster Wheel ASM
63-8410	Washer
63-8580	Bearing-Roller
63-8610	X-Ref to 137-6097
63-8750	Pin-Pivot
63-9510	Bushing
63-9750	Mount
65-5940	Pulley-Idler
65-5950	Bushing-Pulley
65-6200	Belt
65-6210	Belt
65-6450	Bracket-LH
65-6460	Bracket-RH
65-6520	Spacer
65-6530	Spacer
65-7270	V-Belt (Matched Set)
65-7910	Spacer
65-7940	Tire
65-8360-01	Scraper-Smooth
65-8570	Rod-Mounting
65-8600	Knob-Adjustment, Height
65-8640	Housing-Bearing
65-8770	Bushing-Bellcrank
6590003	O-Ring
65-9080	Belt
65-9500	Roller Adj Screw
65-9700	Belt-Drive
65-9940	Spring
66-0561	Screw-Shoulder
66-2630	Latch-Seat
66-2950	Gauge-Hourmeter

Part No.	Description
66-4070	V-Belt
66-4270	Spring-Extension
66-4340	V-Belt
66-5620	Washer
66-5640	Shaft
66-5650	Shaft
66-7220	Arm-Spring
66-7230	Spring-Compression
66-7240	Screw-Pivot
66-8010	Spacer
66-8800	Relay
66-9140	Tine-Hollow, 1/2 x 4.75
66-9302	Screw-HHF Lock
67-1750	Bushing
67-1751	Bushing
67-4410	V-Belt
67-4630	Alternator Assembly
67-5770	Washer
67-5840	Nut-Jam
67-6920	V-Belt
67-7561	Cup-Scalp, Anti
67-7960	Decal-Danger
67-8110	Cartridge-Filter, Oil
67-8510	V-Belt, Fan
67-9100	Gasket
67-9410	Washer
68-3270	Bumper-Rubber
68-5260	Manifold-Tee
68-5310	Clip-Rod, Prop
68-5380	Center Lift Arm ASM
68-5560	Pin-Cylinder, Pivot
68-5880	Hose-Hyd
68-6150	Breather
68-6710	Roller
68-6840	Shaft-Roller
68-7530	Bushing
68-8900-01	Front Castor Fork ASM
68-8920	Female Wheel Half
68-8930	Male Wheel Half
68-8940	Hub-Center
68-8950	Tube-Inner (w/Valve)
68-8960	Tire
68-8970	Tire & Bearing ASM
68-8980	Spanner-Tire
68-8990	Head-Filter

Part No.	Description
68-9400	Nut-Flange
68-9930	Throttle Control
68-9970	Guard-Seal
69-1510	Spacer
69-1530	Housing-Spindle
69-1720	Element-Filter
69-2980	Seal
69-4320	Fitting-Hyd, 90 Degree
69-5430-03	Pulley-Idler, Flat
69-6270-01	Fork - Castor
69-6470	Bushing-Caster
69-6860	Washer-Thrust
69-6920-03	Blade-20"
69-6950	Spacer-Shaft, Spindle
69-8390	Spindle Pulley Assembly
69-8400	X-Ref 138-6411
69-8890	Cap-Spindle
69-8930	Washer
69-8960	Spacer
69-8980	Washer
69-9010	Washer
69-9290	Pad-Bumper
69-9760	Plate-Cover
69-9800	Tire (31 x 13.5-15) 8-Ply
69-9880	Tire (23 x 10.5-12) 6-Ply
700083	Flangette-Bearing
700382	Rivet
7-0081	Washer-Flat
70-1170	Blade-Vertireel
70-1350	Spacer-Plastic
70-1820	Castor Wheel
70-4790	Filter
70-7130	Line-Tube
70-8040	Washer
70-8370	Bolt
70-8500	Tire-Smooth, 4-Ply
70-9840	Shoe-Brake
70-9870	Plate-Backing
70-9880	Spring-Return
70-9940	Hydraulic Hose ASM
70-9950	Hydraulic Hose ASM
70-9960	Hydraulic Hose ASM
71-0940	7/8" Tine
71-1360	Bearing
71-1550	Wihle Roller ASM (21",

Part No.	Description
71-2530	Bearing/Spacer Kit
71-3590	Nut-Adjustment
71-3690	Spade-Bent
71-4410	Spacer
71-4411	Spacer
71-4540	Washer-Thrust
71-4740-03	RH Tie Rod End ASM
71-5960	Fuel Filter
72-0380	Hex-Knob
72-0390	Rod-Adjusting
72-0410	Stand-Off
72-0420	Clamp-Tube
72-0430	Bushing-Flange
72-0440	Pin-Adj
72-0450-01	Bracket-RH
72-0460-01	Bracket-LH
72-0470-01	Guard
72-3760	V-Belt
72-4640-03	LH Turf Guard ASM
72-4660-03	RH Turf Guard ASM
72-4680-03	Center Turf Guard ASM
72-9361	Cup-Scalp, Anti
72-9390	Belt-Seat
72-9710	Hub-Tire
74-0340	Cushion-Rubber
7-4150	Washer
74-1810	Washer
74-3570	Filter
74-3650	Fan
74-3730	Spacer-Spindle, Rear
74-5560	Tire (20 x 8-10) 6-Ply
74-5950	Latch-Swell
74-8830	Belt-Timing
74-9100	Pad-Pedal, Forward
74-9110	Pad-Pedal, Reverse
75-0240	O-Ring
75-0560	Steering Wheel ASM
75-0770	Hyd Cylinder
75-1040	Cooler-Oil
75-1290	Bearing-Roller
75-1310	Filter-Hyd
75-1370	Cable-Battery, Positive
75-1520	Wihle Roller ASM
75-1560-01	Rear Deflector WA
75-1610-01	Adjustment-HOC, RH

**PARTS LIST**



## PARTS LIST

Part No.	Description	Part No.	Description
75-1620-01	Adjustment ASM-HOC, LH	76-4660	Spring-Door
75-1710	Support	76-5050	Alternator
75-1720	Flap-Shield, Rear	76-5220	Element-Filter
75-1740	Scraper Spring	76-8170	Hose Assy
75-1960-01	Bracket-HOC, RH Front	76-8640	Stud-Traction
75-1980-01	Bracket-HOC, LH Front	76-8870	X-Ref to 140-6248
75-2160	Bushing	77-0300-01	Handle ASM
75-4040-03	Plate-Basket, LH	77-0330	Housing-Pivot
75-4050-03	Plate-Basket, RH	77-0350	Washer-Thrust, Nylon
75-5270	Spacer-Knob, Seat	77-0560	Nut - Splined
75-5470	Spacer-Bearing	77-1060	Adjust-HOC, RH
75-5890	Hose	77-1080	Adjust-HOC, LH
75-5900	Hose	77-4340-01	Bedbar-11 Blade
75-5910	Hose	77-4810	Block-Deflector
75-6070	Hose	77-5080-01	Drag-Swivel
75-6080	Hose ASM	77-5320	Tine-Solid, 5/16 x 3.25
75-6180	Hose	77-5340	1/4" Spiker Tine
75-6200	Hose	77-6710-03	Blade (21.5in)
75-6230	Hose	77-7330	Plug-Spark
75-6340	Filter, In-Line	80-1210	Block-Mounting
75-6820	Hourmeter	80-1300	Bolt-Shoulder
75-7570	Key	80-1460	Rod-Spring
75-7580-01	Cover-Plate, RH	80-1470	Spring
75-7590-01	Cover-Drive Housing, LH	80-1680	L/H Pivot Brkt & Bshg
75-7680-01	Deflector-Grass ASM	80-1690	R/H Pivot Brkt & Bshg
75-7730	Washer-Thrust	80-1860-03	Handle Upright ASM
75-8100	Cover	80-1890	Spacer
75-9440	Hub ASM	80-2040	Hook
75-9590	Spacer-Cylinder	80-2050	Bolt-Shoulder
75-9670-01	Fork-Castor	80-6990	Washer-Hardened
75-9680-01	Fork-Castor	80-7342	Hose-Hyd
75-9831	Hyd Motor ASM	80-8650	Coupling-Drive
75-9840	Hyd Motor ASM	80-9330	Audio Alarm ASM
75-9990	Hyd Motor ASM	80-9590	Filter-Water
76-0410	Spring-Compression	8-1750	Spring Arm
76-0520	Latch & Slide-Seat Adj	82-0660	Element-Air Cleaner
76-0800	Seal Kit	82-2190	Switch-Bail
76-0850	Bearing-Thrust	82-3070-03	Blade-9", Thatcher, 6PT
76-2460	Bearing ASM	8-2490	Spherical Washer
76-2970	Bushing-Straight	82-4910	Roller
76-2980	Washer-Thrust	8-2530	Comb
76-3580	Spacer-Bedbar & Sidepla	8-2570	Thrust Bearing
76-3600-01	End Plate-LH	82-6510-01	Support-HOC, RH
76-3610-01	End Plate	82-6530-01	Support-HOC, LH
76-3620	Bedknife (Fairway)	82-6570	Shaft-Reel

Part No.	Description	Part No.	Description
82-6600	Spacer (0.73")	83-0020	Switch-Ignition
82-6630-01	Bracket ASM-HOC, RH	83-0030	Control-Throttle
82-6650-01	Bracket ASM-HOC, LH	83-0040	Control-Choke
82-6740	Rear Scraper ASM	83-0080	Spring-Pivot, Lift
82-6780-01	Deflector-Rear	83-0160	Shaft-Brake
82-6820	Spacer	83-0190-01	Cover-RH
82-6830-01	Bracket-Scraper	83-0200-01	Plate-Cover, LH
82-9390	Nut-Special	83-0540-01	Traction Pedal ASM
83-0020	Switch-Ignition	83-0580	Rod-Control, Traction
83-0030	Control-Throttle	83-0630	Arm-Pivot, Traction
83-0040	Control-Choke	83-0640-01	Plate-Foxtrest
83-0080	Spring-Pivot, Lift	83-0700-03	Handle-Lockup
83-0160	Shaft-Brake	83-0730	Spacer-Lockup
83-0190-01	Cover-RH	83-0740	Disc-Friction
83-0200-01	Plate-Cover, LH	83-0750	Capscrew-HH, LH Thread
83-0540-01	Traction Pedal ASM	83-0760	Spacer-Plate, Lockup
83-0580	Rod-Control, Traction	83-0810	Cover-Steering
83-0630	Arm-Pivot, Traction	83-0820	Gauge - Ammeter
83-0640-01	Plate-Foxtrest	83-0830-01	Panel-Control, Upper
83-0700-03	Handle-Lockup	83-0840-01	Shield-Cover, Valve
83-0730	Spacer-Lockup	83-0870	Fitting-Hose, Barbed
83-0740	Disc-Friction	83-0910	Hose-Inlet, Pump
83-0750	Capscrew-HH, LH Thread	83-1031	Mount-Engine
83-0760	Spacer-Plate, Lockup	83-1040	Washer-Flat
83-0810	Cover-Steering	83-1050	Spacer
83-0820	Gauge - Ammeter	83-1060-0P	Pump Mount - Mach. *B
83-0830-01	Panel-Control, Upper	83-1150	Engine Ground Wire ASM
83-0840-01	Shield-Cover, Valve	83-1200	Tube-Traction, LH (Lower)
83-0870	Fitting-Hose, Barbed	83-1220	Plate-Clamp
83-0910	Hose-Inlet, Pump	83-1270	Seat Support ASM
83-1031	Mount-Engine	83-1350	Hose-Hyd
83-1040	Washer-Flat	83-1360	Hose-Hyd
83-1050	Spacer	83-1390	Valve-Shut-Off, Fuel
83-1060-0P	Pump Mount - Mach. *B	83-1420	Column-Steering
83-1150	Engine Ground Wire ASM	83-1430	Hose-Line, Return
83-1200	Tube-Traction, LH (Lower)	83-1630-03	Bracket-Support, Muffler
83-1220	Plate-Clamp	83-1670	Fitting ASM
83-1270	Seat Support ASM		
83-1350	Hose-Hyd		
83-1360	Hose-Hyd		
83-1390	Valve-Shut-Off, Fuel		
83-1420	Column-Steering		
83-1430	Hose-Line, Return		
83-1630-03	Bracket-Support, Muffler		
83-1670	Fitting ASM		

Part No.	Description	Part No.	Description
83-1680	Hose-Hyd	84-6160	Collar & Bushing ASM
83-1690	Hose-Hyd	84-6180	Front Roller Assembly
83-1700	Bushing-Flange	84-8200	Seal-Oil
83-1840-01	Cover-Valve, RH	84-8290	Hyd Cylinder Assy
83-1890	Switch-Ball	84-8600	Set-Shoes, Lined
83-2280	Timer-Delay	85-0160-03	18 Degree Sweep ASM
83-2310	Shield-Regulator	85-0290	Spacer-Pivot, Seat
83-2380	Seal Repair Kit	85-0310-03	Hanger ASM
83-2420	Positive Cable ASM	85-4650	Connector
83-2590	Bolt-Shoulder, Pivot	85-4930	Filter - Oil
83-4720-01	Spring-Torsion, RH	85-4940	Hose-Hyd
83-4730-01	Spring-Torsion, LH	85-5760	8-Inch Castor Wheel ASM
83-4740	Bearing	85-6010	Shaft-Spindle
83-5400	RM5000 Frt Wiehle Scraper	85-6040-03	Blade-25.18"
83-6950-01	R/H Scraper Brkt Wa	85-6540	Stud-Drive
83-7000	Hyd Cylinder ASM	85-6610	Shaft-Steering
83-8590	Cable - Lift	85-7190	Washer-Shield
83-9020	V-Belt	85-7220	Rear Roller ASM - 2"
83-9310	RH Brake Lever ASM	85-8030	Chain
8-3980	Shaft-Roller	85-8120-03	X-Ref 85-8120-0P
8-3990	Rear Roller ASM	85-8120-0P	Engine Mount Plate *B
84-0560	O-Ring	85-8290	Tire-2ply, Knobby
84-0810-01	Skid-Casting, LH	85-8360	Gasket-Ring
84-0820-01	Skid-Casting, RH	85-8460	Switch Arm ASM
84-1990	Rod-Adjusting	85-8730	Hub-Engine
84-2000-03	X-Ref 84-2000-0P	85-8770	Coupling
84-2000-0P	Bracket-Brake	85-8940	Flangette-Relube
84-2190	Section Seal Kit	85-8950	Flangette-Standard
84-2230-03	Pivot ASM	85-8960	Spacer
84-2280-03	Rake-Finishing	85-9020	Key-Square
84-2350	Spacer-Long	85-9030	Spring-Extension
84-2420-03	Lift Arm ASM	85-9120	Spacer-Pivot, Tilt
84-2450	Chain-Straight, 4-Link	85-9150	Plate-Switch
84-2451	Chain-Straight, 5 Link	85-9180	Sprocket-Steering
84-2452	Chain-14 Link, Straight	85-9200	Knuckle-Steering
84-2453	Chain-Link, 16	85-9550	Rubber Clamp ASM
84-2460-03	Blade ASM	85-9670	Nut-T
84-2550-03	Trowel-Smooth	85-9970	Bearing-Ball
84-2620-03	Angle ASM	86-0010-03	Blade-19"
84-2680-03	Hanger ASM	86-1960	V-Belt
84-5300	Nut-Jam	86-1970	V-Belt
84-5370	Spindle	86-2090	Bushing
84-6070	Shaft-Roller	86-2120	Roller-Lock
84-6080	Wiehle Roller ASM	86-3010	Filter-Oil
84-6090	Bolt-Shoulder	86-5350	Bumper-Rubber

Part No.	Description	Part No.	Description
86-5360	Seal Repair Kit	86-7330	Seal Kit
86-5390	Seal Kit	86-7450	Cable-Ground
86-5910	Tire-6 Ply	86-7610-03	Mount-Seat
86-6110	Filter-Hydraulic	86-7640-01	Box-Litter
86-6560	Washer-Thrust	86-8100-01	Ball Joint ASM
86-7330	Seal Kit	86-8101-03	LH Ball Joint ASM
86-7450	Cable-Ground	86-8630	Filter-Water
86-7610-03	Mount-Seat	86-9100	Filter ASM
86-7640-01	Box-Litter	86-9120	Trapper-Sediment
86-8100-01	Ball Joint ASM	86-9140	Screen-Mesh, 100
86-8101-03	LH Ball Joint ASM	86-9720	Tine-Hollow, 3/4 x 5.75
86-8630	Filter-Water	86-9810-01	L/H Pull Frame ASM
86-9100	Filter ASM	87-1430	Joint-Ball
86-9120	Trapper-Sediment	87-1490	Spring-Leaf, Rear
86-9140	Screen-Mesh, 100	87-1970	Bearing-Matched Set
86-9720	Tine-Hollow, 3/4 x 5.75	87-2310	Clevis-Cable
86-9810-01	L/H Pull Frame ASM	87-2720-03	Shaft-Mask
87-1430	Joint-Ball	87-3200	V-Belt
87-1490	Spring-Leaf, Rear	87-3210	V-Belt
87-1970	Bearing-Matched Set	87-3290	Tire (23 x 10.5-12) 4-Ply T
87-2310	Clevis-Cable	87-3470	Bumper
87-2720-03	Shaft-Mask	87-3770	Bushing-Housing, Bell
87-3200	V-Belt	87-3920	Bushing
87-3210	V-Belt	87-4020	Spring-Extension
87-3290	Tire (23 x 10.5-12) 4-Ply T	87-4260	Cable-Selector, Gear
87-3470	Bumper	87-4760	Bushing-Rubber
87-3770	Bushing-Housing, Bell	87-5100	Washer-Snubbing
87-3920	Bushing	87-6630	Washer-Plain
87-4020	Spring-Extension	87-7270	Washer-Thrust
87-4260	Cable-Selector, Gear	87-7480	Washer
87-4760	Bushing-Rubber	87-8170	Fitting-90
87-5100	Washer-Snubbing	87-8370	V-Belt
87-6630	Washer-Plain	87-8640	Washer-Flat
87-7270	Washer-Thrust	87-9400	Valve-Vacuator
87-7480	Washer	88-6330	Spring-Extension
87-8170	Fitting-90	88-6790	Wide Wiehle Roller ASM (.
87-8370	V-Belt	88-6830	Spacer-Frame, Carrier
87-8640	Washer-Flat	88-6870	Extension-Arm, Pull
87-9400	Valve-Vacuator	88-7200	Washer-Flat
88-6330	Spring-Extension	88-7580	Shaft-Wheel, Transport (L
88-6790	Wide Wiehle Roller ASM (.		
88-6830	Spacer-Frame, Carrier		
88-6870	Extension-Arm, Pull		
88-7200	Washer-Flat		
88-7580	Shaft-Wheel, Transport (L		

## PARTS LIST

## PARTS LIST

Part No.	Description	Part No.	Description	Part No.	Description	Part No.	Description	Part No.	Description	Part No.	Description
88-7590	Shaft-Wheel, Transport (R)	92-2601	Ring-Retaining	92-8866	Spacer	93-2254	Hyd Hose ASM	93-3577	Alternator Assy	93-6212	Felt Filter
88-7840	Pulley & Drive ASM	92-2739	Pin-Clevis	92-8934	Spring-Extension	93-2255	Hyd Hose ASM	93-4034	V-Belt	93-6587	Bearing
88-7880	Bearing	92-2762	Pin-Hair	92-8972	Clamp-Seat	93-2256	Hyd Hose ASM	93-4132	O-Ring	93-6689	Decal-No Riders
88-8350	Tab-Bearing	92-3086	Rod - Scraper	92-8973	Angle	93-2258	Hyd Hose ASM	93-4133	Seal-Lip	93-6696	Decal-Warning
88-8440-03	Plate-Tipper	92-3087	Bracket - Scraper	92-8981	Lift Lever ASM	93-2264	Hose ASM	93-4239	Rim-Wheel, Half	93-6789	Hose-Hyd
88-8450	Prong	92-3187	V-Belt (3VX,37.00") 3=1 Mat	92-8983	Pivot	93-2270	Hyd Hose ASM	93-4240	10" Wheel ASM	93-6790	Hose-Hyd
88-8480	Bracket-Pivot	92-3814	Charcoal Air Filter	92-8990	Adjuster-Seat, Non-Lockin	93-2279	Clamp-Cable	93-4241	Spacer-Bearing, Inner	93-6838-03	Hub-Wheel
88-8990	Bedknife-Machined	92-4187	Cross & Bearing Kit	92-8991	Adjuster (w/Latch)	93-2322	Control-Throttle (Diesel)	93-4242	Plate	93-6840	V-Belt
88-9000	Bedknife-Tournament	92-4284	Spacer-Flail Pivot	92-8995	Bushing	93-2329	Control- Choke	93-4243	Tire	93-6841	Pulley
88-9630-01	Bracket-Lift Pivot, RH	92-4285	Blade-Flail	92-8997	Cooler-Oil	93-2368	Bushing-Flange	93-4244	Tube-Inner (w/Valve)	93-6842	Bushing-Lock, Taper
88-9640-01	Bracket-Lift Pivot, LH	92-5018-03	Clamp-Battery	92-9165	Seal	93-2384	Spacer-Carrier	93-4262	Bedknife-Microcut (21" G	93-6850	Lever-Brake
88-9700	Hose-Hyd	92-5035	Steering Post ASM	92-9167	Clutch-Roller	93-2454	Nut-Lock, Tapered	93-4263	Bedknife-Tournament Cut (	93-6855	HSG. WA - Bedbar Adj
92-0527	Cartridge-Cleaner, Air	92-5039	Chain-Steering	92-9199	Motor-Wheel, Hyd	93-2463	Roller-Lift	93-4264	Bedknife-Low Cut (21" GR	93-6857	Hose-Suction
92-0530	Element-Filter	92-5578-01	Fork-Castor, Rear ASM	92-9218	Belt-V, Matched Set	93-2464	Spacer-Roller	93-4510	Bushing-Caster	93-6887	Hose-Hyd
92-1233	Pin-Clevis	92-5581	Ring-RTNG, Snap, Int, Flat	92-9231	Spring-Compression	93-2466	Shaft-Roller	93-4582	Shaft-Castor	93-6960	Cover-Holder, Bearing
92-1298	Pin-Lynch	92-5583	Washer-Cap	92-9250	Seal-Grease	93-2470	Shaft - Roller	93-4583-03	Mount-Joint, Ball	93-6981	Spacer
92-1655	10" Castor Wheel ASM	92-5584	Spring-Compression	92-9251	Sleeve-Wear	93-2489	Bearing	93-4628	Washer	93-7128	Drum-Brake
92-1705	Filter-Screen	92-5588	V-Belt	92-9252	Bushing-Flange	93-2511-01	Bedbar	93-4632	Washer-Wavey	93-7140	V-Belt-Pump
92-1715	Spacer	92-5604	Spindle Shaft ASM	92-9545	O-Ring Kit	93-2516	Spring - Compression	93-4696	Pin-Hitch	93-7160	Cap-Oil, Hyd
92-1719	Hose ASM	92-5606	Spacer-Spindle	92-9657	Coupling-Quick Disconnect	93-2518	Housing-Pivot	93-4747	Wheel-Gage	93-7486	Clamp ASM
92-1726	Hose ASM	92-5607	Pulley & Hub ASM	92-9658	Coupling-Nose	93-2522	Arm-Spring	93-4764	Spanner-Wheel	93-7498	Plug-Plastic
92-1727	Hose ASM	92-5608-03	Blade	92-9659	Coupling-Quick, Body	93-2525	Ring-Retaining	93-4803	Roller-Deck	93-7500	Special Metric Capscre M10
92-1765	Washer-Thrust	92-5694	Hose-Hydraulic	92-9726	Spring-Compression	93-2545	Screw-Pivot	93-4824	Fork-Castor	93-7501	Bushing ASM
92-1815	Shaft-C.U. Pivot	92-5816	Bolt-Blade	92-9727	HOC Cap ASM	93-2549	Nut-Adjuster	93-4825	Kit-Spacer & Bearing	93-7502	Bushing-Flanged
92-1846	Wiehle Roller ASM	92-5821	Head-Filter	92-9749	Seal Kit	93-2550	Adjustor ASM	93-4838	V-Belt, Hex	93-7510	Ring-Quad
92-2025	Alternator Assy	92-6282	Switch-Seat	92-9767	Hose	93-2551	Seal-Basket	93-4839	V-Belt	93-7522	Screw-HH
92-2153	Plug-Spark	92-7160	Clip	92-9785	V-Belt	93-2559	Bearing-Ball	93-4982	Blade-Combination	93-7629	Pad-Foot, Brake
92-2308-03	RH Arm ASM	92-7186	Tank-Fuel	93-0181	Tire (11-14) 8 Ply	93-2562	Spring-Compression	93-5023	Spacer	93-7630	Pad-Foot
92-2311-03	LH Bracket ASM	92-7302	Nut-Lock, Bearing	93-0183	Belt-V, Impeller	93-2569	Screw-HHF	93-5265	Mount-Engine	93-7631	Pad-Foot, Lift
92-2312-03	RH Bracket ASM	92-7305	Spring-Extension	93-0307	Nut-Lock, Retainer	93-2576-01	Bedbar	93-5268	Nut-Lug	93-7769	Rod-Support, Frame
92-2313-03	Arm-Lift	92-7534	Hose-Hyd	93-0309	Washer-Tab	93-2877	Bushing	93-5385	Hose ASM	93-7775	Bearing-Ball
92-2314	Handle	92-7536	Hose-Hyd	93-1122	Decal-Danger	93-2887	Shaft-Roller, Front	93-5547	Bushing-Nylon	93-7818	Decal-Torque, Blade Bolt
92-2315	Bolt-Shoulder	92-7538	Hose ASM	93-1251	Seal-Inner	93-2891	Bushing-Plastic	93-5630	Spacer-Bearing, Inner	93-8062	Decal-Brake, Parking
92-2318-03	LH Plate ASM	92-7539	Hose-Hyd	93-1252	Seal-Outer	93-2892	Pivot-Bedbar, Manual Adj	93-5957	Cap-Radiator	93-8063	Decal-Caution, CE
92-2319-03	RH Plate ASM	92-7559	Hyd Hose ASM	93-1256	Shaft - Rear Roller	93-2904-01	Brkt.-HOC, Rear (Mach)	93-5961	Boot-Lever	93-8064	X-Ref 137-9706
92-2320	Lever-Latch	92-7560	Hyd Hose ASM	93-1394	Nut-Spline	93-2906	Pin - HOC	93-5973	10" Foam Filled Wheel AS	93-8065	Decal-Traction
92-2323	Pin	92-7595	Hose-Hyd	93-1414	Seal-Grease	93-2921	Spring - Compression	93-5974	8" Foam Filled Wheel	93-8075	Decal-Mow/Lift
92-2324	Bracket-Pivot	92-7638	Hose ASM	93-2018	Hose-Radiator	93-2931	Washer-Roller	93-5980	Hub	93-8409	Blade - 22"
92-2325-03	LH Bracket ASM	92-7750-01	Fork-Castor	93-2075-01	Brake Pedal ASM	93-2959	Spacer-Adjuster	93-5988	Hub-Pivot	93-8457	V Belt-Hex
92-2326-03	RH Bracket ASM	92-7768	Spring-Compression	93-2090	Fan-Engine	93-2981-01	Sideplate-RH, Welded	93-6048	Bracket-HOC, RH	93-8552	Recoil Starter ASM
92-2343-01	Pedal ASM	92-7900	Tine-Side Eject, 3/4 x 5.	93-2092	Clamp-Cable	93-2998-01	Shield - RH	93-6049	Bracket-HOC, LH	93-8584	Spark Plug NGK KW10676.
92-2344	Trunnion	92-8690	Steering Control Valve AS	93-2096	Lever-Brake	93-3007	Seal-Oil	93-6051	Screw-HOC	93-8626	Screw ASM
92-2379	Clamp-Hose	92-8861	Cap-HOC	93-2190	Air Cleaner ASM	93-3038-03	Blade-Dethatcher	93-6053-01	Bedbar-Standard	93-8636	Element-Filter, Air
92-2538	Module-Timer	92-8862	HOC Cap ASM	93-2191	Air Cleaner Mounting Band	93-3080-03	Housing, End Cap	93-6069	Grass Shield ASM	93-8637	Element-Filter, Air
92-2546	Wiper-Seal	92-8863	Repair Kit	93-2242	Oil Filter ASM	93-3102	Cap-Fuel	93-6090	Arm-HOC	93-8684	Filter-Fuel

## PARTS LIST

Part No.	Description
93-8806	Washer-Hardened
93-8823	Coupler-Motor, Reel
93-8825	Coupler-Reel, RH Thread
93-8826	Coupler-Reel, LH Thread
93-8827	Coupler-Spider
93-8849	Rear Grass Shield ASM
93-9014	Pin-Clutch, Actuator
93-9015	Bedknife-Lowcut
93-9017	Rod-Basket, RH
93-9018	Rod-Basket, LH
93-9039	Wiehle Roller ASM (26")
93-9043	Washer-Spring, Belleville
93-9045	Long Wiehle Roller ASM (2
93-9049-01	Bedbar
93-9051	Decal-Bolt, Eccentric
93-9052	Decal-Danger
93-9078	Decal-Safety
93-9151	Fitting-Hyd
93-9164	Indicator-Mini
93-9774	Bedknife (Fairway)
93-9783	O-Ring
93-9793	Ring - Seal
93-9794	RH Bearing Housing ASM
93-9795	LH Bearing Housing ASM
93-9879	Decal-Warning
93-9898	Decal-Lock
93-9901-01	Bracket-Lockout, Mow
93-9903	Pin-Mow, Lockout
93-9904	Arm-Mow, Lockout
93-9934	Traction Handle ASM
93-9936	Bracket-Return, Traction
93-9937	Traction Cable ASM
93-9938	Wheel ASM
93-9939	Tire
93-9999	Switch-Pto
94-0694	Premium Roller ASM - 2 1/
94-0695	Tube ASM - Rear Roller
94-1291	Bushing
94-1304	Cable-Lock, Neutral
94-1328	Hose ASM
94-1369	Spring-Extension
94-1371	Spacer
94-1374	Trunnion-Bracket, Mow
94-1375	Trunnion-Bracket, Lock
94-1378	Tube-Pivot, Handle

Part No.	Description
94-1382	Collar - HOC
94-1383	Pedal-Pivot
94-1386	Shaft-Pedal
94-1392	Pad-Rubber
94-1410	Holder-Can, Beverage
94-1433	Hyd Hose ASM
94-1861-03	Blade-24.75"
94-2500	Tube-Spacer, Wheel
94-2621	Element-Filter
94-2660	Gasket-Flange
94-2690	Filter-Fuel
94-2694-01	Cover-RH
94-2701	Washer-Hardened
94-2702	Screw-HH
94-2703	Plug
94-2710	Bearing
94-2732	Insert-Threaded, RH
94-2733	Insert-Threaded, LH
94-2738	Screw-Carr
94-2747	Tab-Stop
94-2958	Stud/Ball
94-3256	Belt
94-3405	Bearing-Ball
94-3477	Hyd Hose ASM
94-3489	Screw-HH
94-3559	Screw-HSH
94-3621	Front Grass Shield ASM
94-3695-01	Plate-Side Reel, RH
94-3697-01	LH Side Plate ASM
94-3829	Pin-Clevis
94-3951	Filter
94-4208	Hourmeter
94-4307	Nut-Hex, Lock
94-4328	Shaft - Rear Roller
94-4329	Shaft-Front Roller
94-4335	Tube ASM-Rear Roller
94-4507	Coupler-Splined
94-4543	Spring-Wire, Flat
94-4544	Spacer
94-4548	Bumper-Recessed
94-4969	Rear Grass Shield ASM
94-4982	Full Roller ASM
94-4993	Wiehle Roller ASM (32" C/
94-5053	Front Grass Shield ASM
94-5079	Bedknife-Lowcut

Part No.	Description
94-5236	Tire
94-5261	Tire (20x10-10) 4-Ply Rib
94-5350	Fitting-Tee
94-5357	Hose ASM
94-5358	Hose ASM
94-5381-01	Caster Fork ASM
94-5383-01	Castor Fork ASM
94-5586-01	Bar ASM-Lift, LH Arm
94-5588-01	Bar ASM-Lift, R/H
94-5780	Screw-HWH
94-5850	Spindle-Drum
94-5858	Washer
94-5870	Cable-Clutch
94-5879	Bar-Cut Off
94-5885	Bedknife-Tournament
94-5979	Gasket
94-6116	Wheel-Rear
94-6363	Bearing
94-6368	Bearing
94-6392	Bedknife-Highcut (21" GR
94-6394	Bedknife, Tourn-Cut, (Gre
94-6395	Bedknife, Lowcut, GR
94-6396	Bedknife, Highcut,(Greens
94-6710	Fuse-2 Amp
94-6826	Strainer-Fuel
94-6936	Washer-Hardened
94-7227	Filter
94-7372	Element-Brush, Poly
94-8150	Wiehle Roller ASM
94-8170	Bracket-Front
94-8171	Front Wiehle Roller ASM
94-8196	Washer-Nylon
94-8197	Tube-Pivot
94-8198	Pin
94-8199	Tube-Pivot
94-8693	Wheel ASM
94-8908	Seal - Grease
94-8936	Bedknife, Lc, Ext, RM(Fa
94-8945	Bushing
94-8946	Washer-Thrust
94-9024	Lamp ASM
94-9202	Shaft-Dethatcher
94-9210	Shaft-Wheel, Rear
94-9211	Wheel ASM
94-9213	Collar-Shaft

Part No.	Description
94-9214	Nut-Spline, LH
94-9219	Scraper-Roller, RH
94-9220	Scraper-Roller, LH
94-9226	Bracket-Scraper
94-9411	Dipstick
94-9609	Bushing-Straight
94-9610	Bushing-Flange
94-9611	Handle
94-9617	Pin-Spring
94-9618	Spacer-Spring
94-9619	Bushing
94-9620	Spring-Torsion
94-9625	R.H. Carrier ASM - Gr3200
94-9648	Ball Stud
95-0532	Rubber Bushing ASM
95-0550	Manifold-Exhaust
95-0551	Tube-Exhaust
95-0552	Muffler
95-0555	Hose-Suction
95-0556-03	Base-Engine
95-0559	Tube-RH, Rear
95-0564	Tube-RH, Front
95-0568-01	Bracket-Bulkhead
95-0575	Tube-Valve, Shuttle
95-0576-03	Base-Tank, Fuel
95-0577	Fitting-Bulkhead
95-0582	Hose-Intake, Air
95-0584	Rod-Control
95-0586	Clamp ASM
95-0590-03	Base-Tank, Hyd
95-0591	Hose-Hyd
95-0592	Hose ASM
95-0594	Fitting-Cap
95-0595	Hose-Hyd
95-0599	Wire ASM
95-0600-01	Frame ASM
95-0601-01	Valve Shroud ASM
95-0610	Engine Cover ASM
95-0611	Bracket-RH
95-0612	Bracket-LH
95-0620-01	Strip-Retainer
95-0621	Wheel & Tire ASM
95-0625	Rod-Traverse
95-0632-03	Cover
95-0636	Lever-Brake

Part No.	Description
95-0637-03	Plate-Seat
95-0642	Locknut-Bulkhead
95-0646	Decal-Service
95-0647	Decal-Control
95-0648	Decal
95-0707	Bearing-Aligning, Self
95-0728	Belt-Drive, Poly-V
95-0745	Screw-Tapered
95-0772	Spring-Compression
95-0930	Full Front Roller ASM (26
95-1629	Hinge-Lower
95-1633	HOC Adjust ASM
95-1634-01	Frame-Reel ASM
95-1635-01	Reel Frame ASM
95-1636	Strip-Seal
95-1638	Bracket-Rear, HOC Adjust
95-1642-01	Weight-Counter
95-1653	Switch-Pole, Single
95-1811	V-Belt
95-1828	Hub-Gear, Ring
95-2450	Diaphragm Cap 20 PSI
95-2625	Tire (18x8.5-10) 4-Ply
95-2638	Tire (24x13-12) 4-Ply
95-2741	Rim-Wheel, Half
95-2789	Nut-Cone
95-2790	Nut-Cone, Tall
95-2793	Nut-Adjustment, Bearing
95-2903	Angle-Basket Seal
95-2908	X-Ref to 139-6529
95-2910	Roller ASM
95-2912	Shaft-Roller
95-2932	Bracket-Pulley
95-2941-01	Steering Arm
95-3070	Blade & Belt Kit
95-3071	Blade & Belt Kit
95-3073	Kit-Blade & Belt
95-3076	Wheel Kit-Castor
95-3077	Caster Wheel Kit
95-3078	Spindle Kit - GM2xx 52"
95-3079	Spindle Kit
95-3080	Spindle Kit ASM
95-3081	Kit-Spindle
95-3082	10-Inch Caster Wheel Kit
95-3083	8-Inch Caster Wheel Kit
95-3084	Castor Wheel Kit

Part No.	Description
95-3085	Caster Wheel Set Kit
95-3086	Wheel Set Kit, 72" RD
95-3087	Blade & Belt Kit
95-3088	Blade & Belt Kit
95-3089	LH Spindle ASM
95-3090	Center Spindle ASM
95-3094	Blade & Belt Kit
95-3095	X-Ref 138-6408
95-3348	Tire
95-3465	Tire
95-3577	Bushing
95-3703	Washer-Spring, Wave
95-4256	Spring-Compression
95-4356	Fitting
95-4387	Spindle Shaft ASM - Center
95-4389	Kit-Overhaul
95-5622	Hanger-Rubber
95-5719	Blade-Groomer
95-5805	Air Cleaner ASM
95-5806	Bracket-Mounting, Air Cle
95-5807	Spacer
95-5817	Front Shield ASM
95-5825	Wire ASM
95-5826	Shield-Rubber
95-5833	Guide-Lever
95-5840-03	Shield-Base, Seat
95-5942	Element-Brush, Wire (Opti
95-5943	Roller ASM
95-5946	Shaft-Roller
95-5959-01	Pulley Support ASM
95-5965	Cable-Steering
95-5966	Hose-Inlet, Pump
95-5984	Hose-Hyd
95-5985	Hose-Hyd
95-5986	Hyd Hose ASM
95-5987	Hose-Hyd
95-5988	Hose-Hyd
95-5989	Hose-Hyd
95-6231	Chain-HOC
95-6448	Spacer
95-7119	Hose-Line, Return
95-7140-01	Tube Cap ASM
95-7148	Housing-Bearing
95-7149	Pulley-Steering, Front
95-7158	Pin-Pivot

## PARTS LIST

**PARTS LIST**

Part No.	Description	Part No.	Description
95-7497	Bushing-Wheel	95-8933-0P	Plate - Pump Mount *B
95-7733-01	Brkt.- HOC, Mach.	95-8936	Strip-Wear
95-8531	Shaft-Pivot, Liftarm	95-8941	Spacer-Mount, Pump
95-8538	Slide-Plastic	95-8971	Gauge-Fuel
95-8568-03	Frame-Lower	95-8972	Grommet
95-8575	Pin-Clevis	95-8979	Shaft
95-8581	2-Spool Control Valve ASM	95-8980	Tube ASM
95-8601	Gear Pump ASM	95-8981	Tube ASM
95-8603	Spacer	95-8982	Tube ASM
95-8620	Tank-Fuel	95-8990	Shaft-Pivot, Rear
95-8634	Link	95-8999	Switch
95-8689	Single Spool Control Valv	95-9185	Clamp
95-8694	Hyd Motor ASM	95-9186	Cap
95-8724-03	Screen-Hood	95-9188	Nozzle SS 1.GPM
95-8730	V-Belt	95-9191	O-Ring
95-8736	Spacer	95-9193	Cap-Diaphragm
95-8739-01	Bedbar	95-9221	Nozzle Ss .2GPM
95-8748-01	Bedbar	95-9222	Nozzle SS .4GPM
95-8752	Arm-Spring	95-9223	Nozzle SS .5GPM
95-8753-01	27" Reel Frame ASM	95-9224	Nozzle SS .6GPM
95-8755-01	Reel Frame ASM	95-9225	Nozzle SS .8GPM
95-8783	Tube ASM	95-9226	Nozzle SS 1.5GPM
95-8784	Tube ASM	95-9619	Key-Square
95-8796-03	Support-Battery	95-9648	Knob
95-8802	Pulley-Idler	98-0152	Knob-Tapered
95-8803	Bushing-Flange	98-0616	Muffler
95-8805	Bushing	98-0642	Hyd Hose Replacement Kit
95-8806	Spacer	98-0646	Hose-Hyd, Traction, RH (U
95-8826	Hose ASM	98-0647	Hose-Hyd, Traction, RH (L
95-8827	Hose ASM	98-0648	Hyd Hose ASM
95-8828	Hose ASM	98-0649	Hose-Hyd
95-8835	Hose ASM	98-0668	Nut
95-8836	Hose ASM	98-0917	Rod-Prop
95-8837	Hose ASM	98-0924-01	Guide-Chain
95-8840	Hose ASM	98-0925	Bracket-Chain
95-8843	Hose-Hyd	98-0973	Pin-Grooved
95-8853	Cable-Battery, Positive	98-0996	Steering SHFt Kit-Sandpro
95-8854	Cable-Battery, Negative	98-1471	Wheel-Steering
95-8861	Slide	98-1483	Screw-Link, Pull
95-8884	Clamp	98-2150	Hose-Hyd
95-8904-03	X-Ref 95-8904-0P	98-2160	Voltmeter
95-8904-0P	Bracket	98-2161	Cable-Battery, Positive
95-8905-01	Fork-Rear	98-2178	Screw - HSFH
95-8917	Spring-Torsion	98-2181	5 Bld Reel HD GR3200 (Fair
95-8933-03	X-Ref 95-8933-0P	98-2194	Sleeve-Grease

Part No.	Description
98-2196	Rod-Shield
98-2197	Bushing-Flange
98-2330	Pivot Pin ASM
98-2389	Spacer-Link, Pull
98-2859	Castor Wheel ASM
98-2947	V-Belt - Alternator
98-2982	Filter-Element, Safety
98-3551	Grass Shield ASM
98-3587-01	Frame-Dethatcher ASM
98-3921	Belt
98-3999	Flap-Side
98-4166	Bushing
98-4583	Hyd Hose ASM
98-4584	Hyd Hose ASM
98-4587	Hyd Hose ASM
98-4590	Hose-Hyd
98-4639	Bearing-Cone
98-4871	Bushing-Tension
98-5208	Bearing-Roller
98-5215	Bearing-Ball, Radial
98-5918	Grass Shield ASM
98-5920-01	Scraper-Wiehle ASM
98-5933	Bar-Cut Off
98-7068-01	Castor Fork ASM
98-7257	Full Front Roller Scraper
98-7260	Bedknife-Tournament Cut
98-7261	Bedknife-Microcut
98-7264	Wide Wiehle Roller (18",
98-7300-01	Fork-Castor ASM
98-7302-01	Fork-Castor
98-7312	12" Wheel ASM
98-7313	Tire-12"
98-7400	Hose ASM
98-7401	Hose ASM
98-7402	Hose ASM
98-7403	Hose ASM
98-7404	Hose ASM
98-7406	Hose ASM
98-7407	Hose ASM
98-7408	Hose ASM
98-7410	Hose ASM
98-7413	Hose ASM
98-7419	Element-Breather
98-7611	Controller-Glow
98-7612	Filter-Fuel

Part No.	Description
98-7693	Alternator ASM
98-7705	V-Belt
98-7769	Stud
98-7912	Tube-Spanner
98-7913	Tube-Spacer
98-7921-01	Fork-Castor ASM
98-7966	Roller ASM-2 1/2 Diameter
98-7978	Front Grass Shield ASM
98-7993	Screw-HHF
98-8153	Hose-Return
98-8159	Pivot
98-8173	X-Ref 140-6101
98-8676	Decal-Caution
98-8677-01	Insert-Standard
98-8687	Decal-Pressure, Air
98-8688	Decal-Caution
98-8690	Hub ASM
98-8691	Wheel ASM
98-8754	Latch-Ramp
98-8756	Spacer-Stop
98-8759	Hinge-Rod
98-8761-01	Guide-Wheel
98-8766-01	Axle ASM
98-8775	Mat-Ramp
98-8776	Mat-Bed
98-8777	Spacer
98-9305	Water / Fuel Filter ASM
98-9311	Swivel-Throttle
98-9416	Switch-Oil
98-9493	Element-Breather
98-9676	V-Belt
98-9705	Starter ASM
98-9764	Element
99-0044	Roller-Front
99-0815	O-Ring - Dust Seal, Viton
99-0853	Nozzle Filters 50 Mesh
99-1091	Tire
99-1268	Castor Wheel ASM
99-1283	Spacer
99-1291	Spacer
99-1297	Idler Arm ASM
99-1453	Carrier ASM - Center
99-1454	Carrier ASM - LH
99-1456	Pad-Unit, Cutting
99-1460	Ball Joint Receiver ASM

Part No.	Description
99-1469	Hose-Radiator
99-1611	Shaft
99-1612	Blade-Spiker
99-1613	Spacer
99-1615	Rear Roller ASM
99-1635	Spacer
99-1637-01	Plate-Scraper
99-1638	Roller - Plastic
99-1644	Dash Shroud ASM
99-2022	Belt
99-2023	Belt-Drum
99-2047	Bushing
99-2058	Spacer-Support, Handle
99-2079	Spacer
99-2087	Spacer
99-2093	Nut-Adjuster, Bedbar
99-2096	X-Ref 137-6132
99-2097	Detent
99-2098	Washer
99-2318	V-Belt
99-3139	Nut-Slotted
99-3373	Bar-Support, Slide
99-3404	Housing-Bearing
99-3412-03	Pulley
99-3439	Hose ASM
99-3440	Spacer
99-3472	Weight-Lead
99-3476	Spring-Extension
99-3478	Tread-Foot
99-3514	Cover
99-3545	Spacer
99-3602	Battery Cover ASM
99-3619	Belt-3v
99-3620	Pulley-3v, Pump
99-3624	Shaft-Pivot, Idler
99-3625	Spacer-Arm, Idler
99-3626	Pulley-3v
99-3641	Clamp-Tube
99-3646	Hose-Cooler, Oil
99-3757	Coupling-Flex
99-3767	Nut-Lock, Bearing
99-3773	Bolt-Plow
99-3782	Screw-HOC
99-3792	Bracket-Roller, Rear
99-3794-0P	Bedbar-Aggressive

Part No.	Description
99-3801	Seal-Oil
99-3841	Roller-Full, Aluminum
99-3842	Seal-Oil,Non-Vented Grbx
99-4072	Spacer
99-4103	Shield ASM-Rear
99-4109	Spacer
99-4115	Front Lift Frame ASM
99-4116	Rear Lift Frame ASM
99-4126	Center Lift Arm ASM
99-4148	Bracket-Link, RH
99-4149	Bracket-Link, LH
99-4152	Deflector-Reel, LH
99-4182-01	LH Clevis ASM
99-4183-01	RH Clevis ASM
99-4191	Extension-Arm, Pull
99-4201	Tube-Spacer
99-4208	Shroud-Console
99-4209	Shaft-Roller
99-4210	Roller-Anti Scalp
99-4211	Front Wiehle Roller ASM
99-4212	LH Lift Arm ASM
99-4213	RH Lift Arm ASM
99-4225	Pad-Wear
99-4243	Bushing-Flange
99-4248	Spacer
99-4258	RH Link Bracket ASM
99-4260	LH Link Bracket ASM
99-4270	Extension-Arm, Pull
99-4500	Seal-Grease
99-4502	Hub
99-4503	Cap-Grease
99-4504	Plug-Cap, Grease
99-4505	Washer
99-4506	Tire
99-4508	Nut-Castle
99-4509	Washer-Tang
99-4543-01	Tongue-Trailer
99-5107	Nut-Lock
99-5432	Rim
99-5493	Pulley-Idler
99-5501	Brake Cable ASM
99-5608-03	Spring-Torsion, RH
99-5609-03	Spring-Torsion, LH
99-5614	Hyd Hose ASM
99-5617	Sleeve-Protective

**PARTS LIST**

Part No.	Description	Part No.	Description	Part No.	Description
99-5621	Guide-Hose	99-9156	Belt-V	SGS08500	Tine-Solid 12mm x 8.00"
99-5648	Sleeve-Protective	99-9209	Alternator	SGS10374	Tine-Solid 3/8" x 10.75"
99-5652	Brake ASM & Lever	99-9770	Belt-V	SGS10375	Tine-Solid 3/8" x 12.15"
99-5653	RH HOC WA & Screw	99-9771	Belt-V	SGS10500	Tine-Solid 12mm x 12.20"
99-5654	LH HOC WA & Screw	AU218-5106	Fitting-Elb 90	SGS10504	Tine-Solid 12mm x 10.75"
99-5672	Nut-Bearing Adj.	Gva15205	Oil Filter (22.5 HP Robin)	SGS10750	Tine-Solid 18mm x 12.25"
99-5678	Idler Pulley ASM	H292327	Blade Plastic	SGS10875	Tine-Solid 7/8" x 12.50"
99-5748	Shaft-Roller	Kw10676	Spark Plug	SGS10876	Tine-Solid 7/8" x 12.43"
99-5749	Full Roller ASM	Sbc17000	V-Belt	SGS12500	Tine-Solid 12mm x 14.25"
99-6193	Hose ASM	SG148154	Spring ASM	SGS12750	Tine-Solid 18mm x 14.25"
99-6240	Narrow Wiehle Roller ASM	SG148160	Spring ASM	SGS12875	Tine-Solid 7/8" x 14.00"
99-6241	Narrow Wiehle Roller ASM	SG481512	Spring-Compression	SGS12876	Tine-Solid 7/8" x 14.00"
99-6858	Bracket-HOC, Update Kit	SG482016	Wire-Bar, Draw	SGS14500	Tine-Solid 12mm x 16.18"
99-6964	Bushing-Axle	SG482017	Wire-Bar, Draw	SGS14750	Tine-Solid 18mm x 16.25"
99-6969	Seal-Oil, Wheel End	SG487054	3 Wire Spring ASM	SGS14875	Tine-Solid 7/8" x 16.00"
99-7133	V-Belt-Starter	SG487255	Wire-Draw Bar	SGS14876	Tine-Solid 7/8" x 15.75"
99-7140	Spring-Torsion	SG487256	Wire-Draw, Spring	SGS16100	Tine-Solid 1.00" x 17.88"
99-7143	Belt-Drive	SG487257	Spring-Compression	SGT05550	Tine ASM
99-7144	Belt-Drive	SG487275	Spring-Coil	SGT07750	Tine ASM
99-7214	Pawl-Brake	SG487276	Draw Bar-Wire	117-7021	Tine ASM
99-7300	Tire (20 x 10-8) 4-Ply	SG487277	Bar-Draw, Anti-Cross Loop	SGT08125	Tine ASM
99-7420	Plug-Hole	SG487278	Spring ASM	117-7013	Tine-ASM
99-7430	Relay-Mini	SG715802	Adapter Sleeves (SR75)	SGT10750	Tine ASM
99-7435	Relay	SGA08313	Sleeve-Adapter	117-7020	Tine ASM
99-7532	Bearing-Roller, Taper	SGA10375	54/70 Adapt. Sleeve for	SGT12125	Tine ASM
99-7534	Bearing-Ball	SGA12375	48/72 Adapt. Sleeve for 3	SVB13600	V-Belt
99-7570	Bearing-Roller, Taper	139-8618	Tine ASM-Side Eject	SVB14520	Return Line Filter
99-7667	Washer-Flat	139-8616	Tine ASM-Side Eject	T68021100	Tire-Turf
99-7963-03	Pedal-Park	139-8614	Tine ASM-Side Eject		
99-8150	Control-Throttle	SGC07750	Tine ASM-Side Eject		
99-8162	Kit-Repair, Seal	139-8625	Tine ASM-Side Eject		
99-8163	Seal Kit	139-8628	Tine ASM-Side Eject		
99-8168	Collar-HOC	SGC08123	Tine ASM-Side Eject		
99-8343	Gasket-Muffler	SGC08125	Tine ASM-Side Eject		
99-8351	Filter-Fuel, Inline	139-8617	Tine ASM-Side Eject		
99-8358	Element Kit	139-8619	Tine ASM-Side Eject		
99-8432	Washer-Thrust	139-8623	Tine ASM-Side Eject		
99-8611	Spacer	139-8620	Tine ASM-Side Eject		
99-8661	Rod-Spring	SGC10755	Tine ASM-Side Eject		
99-8662	Tube-Spring	139-8613	Tine ASM-Side Eject		
99-8664	Screw-HH	SGC12123	Tine ASM-Side Eject		
99-8675	Shoulder Roller ASM	SGC12125	Tine ASM-Side Eject		
99-8685-03	Wiehle Roller	SGS07313	Tine-Solid 5/16" x 8.50"		
99-8698-01	Bedbar	SGS08313	Tine-Solid 5/16" x 10"		
99-9155	Thermostat	SGS08375	Tine-Solid 3/8" x 9.00"		



## WHEN WE SAY **COUNT ON IT**, WE MEAN IT

Every product that carries the Toro brand is backed by over 100 years of history, innovation and timeless dependability. We never stop investing in research and development to give our customers the latest features. That's why Toro is one of the best-known, most trusted brands in the business. We also stand behind our products with a global network of knowledgeable dealers for parts and service support. **Real People. Real Support.**

**Smart Features. Proven Dependability.**



**Count on it.**



toro.com  
Worldwide Headquarters  
The Toro Company  
8111 Lyndale Ave. So.  
Bloomington, MN 55420 U.S.A.  
Phone: (1) 952 888 8801  
Fax: (1) 952 887 8258

©2022 The Toro Company.  
All Rights Reserved.

23-111-T

*Products depicted in this literature are for demonstration purposes only. Actual products offered for sale may vary in use, design, required attachments and safety features. We reserve the right to improve our products and make changes in specifications, design and standard equipment without notice and without incurring obligation. See your distributor for details on all our warranties.*



facebook.com/ToroCompany  
twitter.com/TheToroCompany  
youtube.com/ToroCompanyEurope

Contract No.

Vendor No.

**EXHIBIT C**

**GovMVMt ADMINISTRATIVE AGREEMENT**

The following GovMVMt Administrative Agreement is an Exhibit to and is incorporated into the Contract to provide (Insert Contract Title) (the "Contract") between (Insert Lead Public Agency name) and (Insert Supplier Name).

## **ADMINISTRATION AGREEMENT**

This ADMINISTRATION AGREEMENT ("Agreement") is made as of (Insert Date), by and between GovMVMT ("GovMVMT Purchasing Cooperative") and The Toro Company ("Supplier").

### **RECITALS**

WHEREAS, the ("Lead Public Agency") has entered into a certain Master Agreement dated as of (enter date), referenced as Agreement (No.#), by and between Lead Public Agency and Supplier (as amended from time to time in accordance with the terms thereof, the "Master Agreement") for the purchase of (the "Products and Services");

WHEREAS, the Master Agreement provides that any state, county, city, special district, local government, school district, private K-12 school, technical or vocational school, higher education institution (including community colleges, colleges and universities, both public and private), other government agency or nonprofit organization (each a "Public Agency" and collectively, "Public Agencies") may purchase Products and Services at the prices indicated in the Master Agreement upon prior registration with GovMVMT, in which case the Public Agency becomes a "Participating Public Agency";

WHEREAS, GovMVMT has the administrative and legal capacity to administer purchases under the Master Agreement to Participating Public Agencies;

WHEREAS, GovMVMT serves in an administrative capacity for the Lead Public Agency and other lead public agencies in connection with other master agreements offered by GovMVMT;

WHEREAS, Lead Public Agency desires GovMVMT to proceed with administration of the Master Agreement on the same basis as other master agreements;

WHEREAS, "GovMVMT Purchasing Cooperative" is a trade name licensed by IGSA

WHEREAS, GovMVMT and Supplier desire to enter into this Agreement to make available the Master Agreement to Participating Public Agencies.

NOW, THEREFORE, in consideration of the mutual covenants contained in this Agreement, GovMVMT and Supplier hereby agree as follows:



## ARTICLE I

### GENERAL TERMS AND CONDITIONS

1.1 The Master Agreement, attached hereto as Exhibit A and incorporated herein by reference as though fully set forth herein, and the terms and conditions contained therein shall apply to this Agreement except as expressly changed or modified by this Agreement.

1.2 GovMVMT shall be afforded all of the rights, privileges and indemnifications afforded to Lead Public Agency under the Master Agreement, and such rights, privileges and indemnifications shall accrue and apply with equal effect to GovMVMT under this Agreement including, without limitation, Supplier's obligation to provide insurance and indemnifications to Lead Public Agency.

1.3 Supplier shall perform all duties, responsibilities and obligations required under the Master Agreement.

1.4 GovMVMT shall perform all of its duties, responsibilities and obligations as administrator of purchases under the Master Agreement as set forth herein, and Supplier acknowledges that GovMVMT shall act in the capacity of administrator of purchases under the Master Agreement.

1.5 With respect to any purchases made by Lead Public Agency or any Participating Public Agency pursuant to the Master Agreement, GovMVMT (a) shall not be construed as a dealer, re- marketer, representative, partner, or agent of any type of Supplier, Lead Public Agency or such Participating Public Agency, (b) shall not be obligated, liable or responsible (i) for any orders made by Lead Public Agency, any Participating Public Agency or any employee of Lead Public Agency or a Participating Public Agency under the Master Agreement, or (ii) for any payments required to be made with respect to such order, and (c) shall not be obligated, liable or responsible for any failure by a Participating Public Agency to (i) comply with procedures or requirements of applicable law or ordinance, or (ii) obtain the due authorization and approval necessary to purchase under the Master Agreement. GovMVMT makes no representations or warranties with respect to any minimum purchases required to be made by Lead Public Agency, any Participating Public Agency, or any employee of Lead Public Agency or a Participating Public Agency under the Master Agreement.

## ARTICLE II

### TERM OF AGREEMENT

2.1 This Agreement is effective as of (Insert Date) and shall terminate upon termination of the Master Agreement or any earlier termination in accordance with the terms of this Agreement, provided, however, that the obligation to pay all amounts owed by the respective parties through the termination of this Agreement and all indemnifications afforded by the parties shall survive the term of this Agreement.

## ARTICLE III

### REPRESENTATIONS AND COVENANTS

3.1 GovMVMТ views the relationship with Supplier as an opportunity to provide benefits to the Lead Public Agency, Participating Public Agencies and the Supplier. The successful foundation of the relationship requires certain representations and covenants from both GovMVMТ and Supplier.


3.2 GovMVMТ Representations and Covenants.

(a) Marketing. GovMVMТ shall proactively market the Master Agreement to Public Agencies using resources such as a network of sponsors or sponsorships including the Advisory Council which is comprised of procurement professionals from around the country. In addition, the GovMVMТ staff shall make best efforts to enhance Supplier's marketing efforts through meetings with Public Agencies, participation in key events and tradeshow and other marketing activity such as advertising, articles and promotional campaigns.

(b) Training and Knowledge Management Support. GovMVMТ shall provide support for the education, training and engagement of Supplier's sales force as provided herein. Through its staff (each, a "Program Manager" and collectively, the "Program Managers"), GovMVMТ shall, with scheduling assistance from Supplier, conduct training sessions and conduct calls jointly with Supplier to Public Agencies. GovMVMТ shall also provide Supplier with access to GovMVMТ's private intranet website which provides presentations, documents and information to assist Supplier's sales force in effectively promoting the Master Agreement.

3.3 Supplier's Representations and Covenants. Supplier hereby represents and covenants as follows in order to ensure that Supplier is providing the highest level of public benefit to Participating Public Agencies (such representations and covenants are sometimes referred to as "Supplier's Commitments" and are comprised of the Executive Commitment, Value Commitment, Differentiator Commitment and Sales and Marketing Commitment):

(a) **Executive Commitment**

(i) Supplier shall have full commitment of the Master Agreement from the organization. 

(v) Upon authorization by a Public Agency, Supplier shall transition such Public Agency to the pricing, terms and conditions of the Master Agreement.

(vi) Supplier shall provide a national/senior management level representative with the authority and responsibility to ensure that the Supplier's Commitments are maintained at all times. Supplier shall also designate a lead referral contact person who shall be responsible for receiving communications from GovMVMТ concerning new Participating Public Agency registrations and for ensuring timely follow-up by Supplier's staff to requests for contact from Participating Public Agencies. Supplier shall provide an active webpage linking the GovMVMТ contract documents and registration.

(vii) Supplier shall demonstrate in its procurement solicitation response and throughout the term of the Master Agreement that national/senior management fully supports the GovMVMТ program and its commitments and requirements. National/Senior management is defined as the Supplier representative with relevant authority.

(b) **Value Commitment**

Supplier's pricing shall be evaluated on either an overall project basis or the Public Agency's actual usage for more frequently purchased Products and Services.

If an eligible Public Agency requests to be transitioned to the Master Agreement, Supplier shall do so and report the Public Agency's purchases made under the Master Agreement going forward.

(iii) **Deviating Buying Patterns**. Occasionally GovMVMТ and Supplier may interact with a Public Agency that has a buying pattern or terms and conditions that considerably deviate from the normal Public Agency buying pattern and terms and conditions and causes Supplier's pricing under the Master Agreement to be higher than an alternative contract held by Supplier. This could be created by a unique end-user preference or requirements. In the event that this situation occurs, Supplier may address the issue by lowering the price under the Master Agreement on the item(s) causing the large deviation for that Public Agency. Supplier would not be required to lower the price for other Public Agencies.

c) **Differentiator Commitment**. Supplier shall demonstrate the value, competitive scope, and differentiating factors of the agreement against alternative procurement options in the marketplace at every opportunity. The success of this program lies directly with properly positioning this contract vehicle as the premier cooperative purchasing option for public agencies.

Supplier can accomplish this by highlighting such facts as:

- Lead Public Agency process
- Non-profit structure
- Public Benefit Programs
- Value Commitments

- Advisory Council Oversight
- Dedicated Field Team

Supplier agrees that while this agreement brings significant value to Public Agencies, it is not an exclusive agreement and can be utilized at the discretion of the participating Public Agencies.

(d) **Sales and Marketing Commitment.** Supplier may market the Master Agreement through Supplier's sales force or dealer network that is properly trained, engaged and committed.

(i) **Supplier Sales.** Supplier shall be responsible for proactive sales of Supplier's Products and Services to Public Agencies and the timely follow-up to sales leads identified by GovMVMT. Use of product catalogs, targeted advertising, direct mail, online marketing and other sales initiatives are encouraged. Supplier's sales materials targeted towards Public Agencies may include the GovMVMT logo. GovMVMT hereby grants to Supplier, during the term of this Agreement, a non-exclusive, revocable, non-transferable, license to use the GovMVMT name, trademark, and logo solely to perform its obligations under this Agreement, and for no other purpose. Any goodwill, rights, or benefits derived from Supplier's use of the GovMVMT name, trademark, or logo shall inure to the benefit of GovMVMT. GovMVMT shall provide Supplier with its logo and the standards to be employed in the use of the logo. During the term of the Agreement, the Supplier shall provide GovMVMT with its logo and the standards to be employed in the use of the logo for purposes of reproducing and using Supplier's name and logo in connection with the advertising, marketing and promotion of the Master Agreement to Public Agencies. Supplier shall assist GovMVMT by providing camera-ready logos and by participating in related trade shows and conferences. Any use of Supplier's name and/or logo in connection with advertising, marketing, and/or promotion of this Agreement or its subjects shall be subject to pre-approval by Supplier.



(ii) **Branding and Logo Compliance.** Supplier shall be responsible for complying with the GovMVMT branding and logo standards and guidelines.

(iii) **Sales Force Training.** Supplier may train its national sales force on the Master Agreement and GovMVMT program. GovMVMT shall be available to train on a national, regional or local level and generally assist with the education of sales personnel.

(iv) **Participating Public Agency Access.** Supplier shall establish the following communication links to facilitate customer access and communication:

(A) A web-based landing page referencing GovMVMT accessible from Supplier's homepage or main menu navigation linking to or containing:

- (1) GovMVMТ standard logo;
- (2) Copy of original procurement solicitation.
- (3) Copy of Master Agreement including any amendments.
- (4) Summary of Products and Services pricing; and
- (5) Electronic link to GovMVMТ's online registration page.

(v) Electronic Registration. Supplier shall be responsible for ensuring that each Public Agency has completed GovMVMТ's online registration process prior to processing the Public Agency's first sales order.

(vi) Supplier's Performance Review. Upon request by GovMVMТ, Supplier shall participate in a performance review meeting with GovMVMТ to evaluate Supplier's performance of the covenants set forth in this Agreement not more than once per calendar year and so as not to interrupt Supplier's commercial dealings.

(vii) Supplier Content. Supplier may, from time to time, provide certain graphics, media, and other content to GovMVMТ (collectively "Supplier Content") for use on GovMVMТ websites and for general marketing and publicity purposes.

3.4 Breach of Supplier's Representations and Covenants. The representations and covenants set forth in this Agreement are the foundation of the relationship between GovMVMТ and Supplier. If Supplier is found to be in violation of, or non-compliance with, one or more of the representations and covenants set forth in this Agreement, Supplier shall have ninety (90) days from the notice of default to cure such violation or non-compliance and, if Supplier fails to cure such violation or non-compliance within such notice period, it shall be deemed a cause for immediate termination of the Master Agreement at Lead Public Agency's sole discretion or this Agreement at GovMVMТ's sole discretion.

3.5 Indemnity. Supplier hereby agrees to indemnify and defend GovMVMТ, and its parent companies, subsidiaries, affiliates, shareholders, member, manager, officers, directors, employees, agents, and representatives from and against any and all claims, costs, proceedings, demands, losses, damages, and expenses (including, without limitation, reasonable attorney's fees and legal costs) of any kind or nature, arising from or relating to, Supplier's actual and material breach of any of Supplier's representations, warranties, or covenants in this Agreement.

## **ARTICLE IV**

### **PRICING REVIEW**

4.1 Supplier shall, at Supplier's sole expense, maintain reporting records from Supplier's distributors of all purchases made by Lead Public Agency and Participating Public Agencies under the Master Agreement. GovMVMТ and Lead Public Agency each reserve the right to review the reporting records for a period of one (1) year from the time such purchases are made. This right of review shall

survive termination of this Agreement for a period of one (1) year from the effective date of termination. GovMVMТ shall have the right to conduct reviews of Supplier’s pricing that is offered to Participating Public Agencies at GovMVMТ’s sole cost and expense. Notwithstanding the foregoing, in the event that

GovMVMТ is made aware of any pricing being offered to three (3) or more Participating Public Agencies that is materially inconsistent with the pricing under the Master Agreement, GovMVMТ shall have the ability to conduct a reasonable review of Supplier’s pricing during regular business hours upon reasonable notice. GovMVMТ may conduct the review through its own representatives. In the event of a review, the requested materials shall be provided in the format and at the location where kept in the ordinary course of business by Supplier.

**ARTICLE V**

**FEES & REPORTING**

5.1 Administrative Fees. Supplier shall pay to GovMVMТ a monthly administrative fee based upon the total sales price of all purchases shipped and billed pursuant to the Master Agreement, excluding taxes, in the amount of one and three-quarter percent (1.75%) of aggregate purchases made during each calendar month (individually and collectively, “Administrative Fees”). GovMVMТ was founded on the principle of large volumes of purchases resulting in aggressive discounts and a great resulting value for those purchasing entities. We believe in additional value and increased savings that result from growth in the program and larger spend volume. This value should exist for the public agency and the supplier, and thus an incentivized tier structure has been developed to assure that these savings are passed along to the agencies and suppliers in the program. Tiered Administrative fees are outlined below based on Suppliers Annual sales volume. Supplier’s annual sales shall be measured on a calendar year basis. All Administrative Fees shall be payable in U.S. Dollars and shall be made by wire to GovMVMТ, or its designee or trustee as may be directed in writing by GovMVMТ.

Administrative Fees shall be due and payable within thirty (30) days of the end of each calendar month for purchases shipped and billed during such calendar month. GovMVMТ agrees to pay to Lead Public Agency five percent (5%) of all Administrative Fees received from Supplier to help offset Lead Public Agency’s costs incurred in connection with managing the Master Agreement nationally.

**Tiered Administrative Fee\***

<b>Annual Contract Spend Low</b>	<b>Annual Contract Spend High</b>	<b>Administrative Fee</b>
\$0	\$15,000,000	1.75%
\$15,000,001	\$25,000,000	1.5%
\$25,000,001	\$75,000,000	1.25%

\$75,000,001	> \$75,000,001	1.00%
--------------	----------------	-------

\*Tiered administrative fee structure is based on annual reported sales volume. Sales volume is calculated from January 1<sup>st</sup> – December 31<sup>st</sup> of the current calendar year. When a tier level is met, supplier will be moved to subsequent fee percentage on the next reported monthly report.

5.2 Sales Reports. Within thirty (30) days of the end of each calendar month, Supplier shall deliver to GovMVMT an electronic accounting report, in the format prescribed by Exhibit B, attached hereto, summarizing all purchases made under the Master Agreement during such calendar month (“Sales Report”). All purchases indicated in the Sales Report shall be denominated in U.S. Dollars. All purchases shipped and billed pursuant to the Master Agreement for the applicable calendar month shall be included in the Sales Report. Submitted reports shall be verified by GovMVMT against its registration database. Any data that is inconsistent with the registration database shall be changed prior to processing. GovMVMT reserves the right upon reasonable advance notice to Supplier to change the prescribed report format to accommodate the distribution of the Administrative Fees to future potential program sponsors and state associations.

5.3 Exception Reporting/Sales Reports Audits. GovMVMT or its designee may, at its sole discretion, compare Supplier’s Sales Reports with Participating Public Agency records or other sales analysis performed by Participating Public Agencies, future potential sponsors, advisory board members or GovMVMT staff. If there is a material discrepancy between the Sales Report and such records or sales analysis as determined by GovMVMT, GovMVMT shall notify Supplier in writing and Supplier shall have ninety (90) days from the date of such notice to resolve the discrepancy . Upon resolution of the discrepancy, Supplier shall remit payment to GovMVMT’s trustee within sixty (60) calendar days. Any questions regarding an exception report should be directed to GovMVMT in writing to [reporting@govmvmt.org](mailto:reporting@govmvmt.org).

5.4 Online Reporting. Within forty-five (45) days of the end of each calendar month, GovMVMT shall provide online reporting to Supplier containing Supplier’s sales reporting for such calendar month. Supplier shall have access to various reports through the GovMVMT intranet website. Such reports are useful in resolving reporting issues and enabling Supplier to better manage their Master Agreement.

5.5 Usage Reporting. Within sixty (60) days of the end of each contract year, Supplier shall deliver to GovMVMT an electronic usage report of all sales under the Master Agreement, including:

- (i) Supplier’s Product Number
- (ii) Product Description
- (iii) Manufacturer Name
- (iv) Manufacturer Number
- (v) Unit of Measure
- (vi) GovMVMT Price

- (vii) Number of times ordered
- (viii) Units sold
- (ix) Sales by Manufacturer

5.6 Supplier's Failure to Provide Reports or Pay Administrative Fees. Failure to provide a Sales Report or pay Administrative Fees within the time and in the manner specified herein shall be regarded as a material breach under this Agreement and if not cured within thirty (30) days of written notice to Supplier, shall be deemed a cause for termination of the Master Agreement at Lead Public Agency's sole discretion or this Agreement at GovMVMT's sole discretion. All Administrative Fees not paid within thirty (30) days of the end of the cure period shall bear interest at the rate of one and one-half percent (1.5%) per month until paid in full.

## ARTICLE VI

### MISCELLANEOUS

6.1 Entire Agreement. This Agreement supersedes any and all other agreements, either oral or in writing, between the parties hereto with respect to the subject matter hereof, and no other agreement, statement, or promise relating to the subject matter of this Agreement which is not contained herein shall be valid or binding.

6.2 Assignment.

(a) Supplier. Neither this Agreement nor any rights or obligations hereunder shall be assignable by Supplier without prior written consent of GovMVMT, and any assignment without such consent shall be void.

(b) GovMVMT. This Agreement and any rights or obligations hereunder may be assigned by GovMVMT in GovMVMT's sole discretion, to an existing or newly established legal entity that has the authority and capacity to perform GovMVMT's obligations hereunder.

6.3 Notices. All reports, notices or other communications given hereunder shall be delivered by first-class mail, postage prepaid, or overnight delivery requiring signature on receipt to the addresses as set forth below. GovMVMT may, by written notice delivered to Supplier, designate any different address to which subsequent reports, notices or other communications shall be sent.

GovMVMT:

GovMVMT

(Insert Address)

Attn: Program Manager Administration

Supplier:

(Insert Supplier Information)

Attn: GovMVMT Program Manager



6.4 Severability. If any provision of this Agreement shall be deemed to be, or shall in fact be, illegal, inoperative, or unenforceable, the same shall not affect any other provision or provisions herein contained or render the same invalid, inoperative or unenforceable to any extent whatever.

6.5 Waiver. Any failure of a party to enforce, for any period of time, any of the provisions under this Agreement shall not be construed as a waiver of such provisions or of the right of said party thereafter to enforce each and every provision under this Agreement.

6.6 Counterparts. This Agreement may be executed in several counterparts, each of which shall be an original and all of which shall constitute but one and the same instrument.

6.7 Modifications. This Agreement may not be effectively amended, changed, modified, altered or terminated without the prior written consent of the parties hereto.

6.8 Governing Law; Arbitration. This Agreement will be governed by and interpreted in accordance with the laws of the State of Delaware, without regard to conflict of law principles that would result in the application of any law other than the law of the State of Delaware.

6.9 Attorneys' Fees. If any action at law or in equity (including, arbitration) is necessary to enforce or interpret the terms of any of this Agreement, the prevailing party shall be entitled to reasonable attorneys' fees, costs, and necessary disbursements in addition to any other relief to which such party may be entitled.

6.9 Successors and Assigns. This Agreement shall inure to the benefit of and shall be binding upon GovMVM, Supplier and any successor and assign thereto; subject, however, to the limitations contained herein.

*[Remainder of Page Intentionally Left Blank – Signatures  
Follow]*

IN WITNESS WHEREOF, GovMVMТ has caused this Agreement to be executed in its name and Supplier has caused this Agreement to be executed in its name, all as of the date first written above.

GovMVMТ:

GovMVMТ PURCHASING COOPERATIVE

By

Name:

Title:

Supplier:

(Insert Supplier Name)

By

Name:

Title:

EXHIBIT A

MASTER AGREEMENT

(To Be Attached)

EXHIBIT B

SALES REPORT FORMAT

## **National Contract**

Suppliers shall provide a response to Exhibit A, Questionnaire for National Consideration.

Please see attachment *TTC\_Tab 8\_Grounds Maintenance Equipment – Attachment A\_3.20.23* for a complete response to Exhibit A – Exhibit I.

In addition, signatures pages for all items related to Exhibit A is attached in *TTC\_Tab 8\_Signature Docs*.

Please see the attachment *TTC\_Tab 8\_Exceptions to AU 2023-0000634* and redlined document *TTC\_Tab 8\_GovMVMT Administrative Agreement TTC Rev. 3.20.23* for exceptions and modification requests. Toro also requests a flat 1% administration fee on all purchases made through GovMVMT.

**EXHIBIT A  
QUESTIONNAIRE FOR NATIONAL CONSIDERATION**

Suppliers are required to meet specific qualifications. Please respond to each qualification statement on this questionnaire.

- 1. Will the pricing for all Products and/or Services offered be equal to or better than any other pricing options it offers to Participating Public Agencies nationally?  
 Yes  \*No   
 (\*Toro's pricing is equal to, better than, or in-line with our near-future pricing strategy offered to Participating Public Agencies nationally.)
- 2. Does your company have the ability to provide service to any Participating Public Agencies in all 50 states?  
 Yes  \*No   
 (\*If no, identify the states where you do not have the ability to provide service to Participating Agencies.)
- 3. Does your company have a national sales force, dealer network or distributor with the ability to call on Participating Public Agencies in at least 35 states?  
 Yes  \*No   
 (\*If no, identify the states where you do not have the ability to provide service to Participating Agencies.)
- 4. Will your company assign a dedicated Senior Management level Account Manager to support the resulting GovMVMT contract?  
 Yes  \*No
- 5. Does your company maintain records of your overall Participating Public Agencies' sales that you can and will share with GovMVMT to monitor contract implementation progress?  
 \*Yes  No   
 (\*For all GovMVMT Participating Public Agencies' sales.)
- 6. Does your company have the ability to provide electronic and ecommerce ordering and billing?  
 Yes  No
- 7. Will the GovMVMT contract be your lead public offering to Participating Public Agencies?  
 Yes  No
- 8. Check which applies for your company sales last year in the United States:  
 Sales between \$0 - \$25 Million  
 Sales greater than \$25 Million to \$50 Million  
 Sales greater than \$50 Million to \$100 Million  
 Sales greater than \$100 Million

Submitted by:

Edric Funk  
 (Printed Name)  
  
 (Signature)

Group Vice President  
 (Title)  
3/16/2023  
 (Date)

**EXHIBIT F**  
**FEDERAL FUNDS CONTRACT PROVISIONS**

**Subaward:** An award provided by a pass-through entity to a subrecipient for the subrecipient to carry out a part of federal award received by the pass-through entity. It does not include payments to a Contractor or payments to an individual that is a beneficiary of a federal program. A subaward may be provided through any form of legal agreement, including an agreement that the pass-through entity considers a Contract.

**Subrecipient:** An NFE that receives a subaward from a pass-through entity to carry out part of a federal program but does not include an individual that is a beneficiary of such program.

**Uniform Guidance:** The series of regulations found at 2 CFR Part 200 that establishes Uniform Administrative Requirements, Cost Principles, and Audit Requirements for federal awards to NFEs. The Uniform Rules are referred to by several names throughout this Exhibit. Some of the names include standards, requirements, rules, and regulations.

**EXHIBIT F**  
**FEDERAL FUNDS CONTRACT PROVISIONS**

The following certifications and provisions may be required and apply with a Participating Public Agency spends federal funds for any purchase resulting from this procurement process. Pursuant to 2 CFR § 200.237, all contracts, including small purchases, awarded by the Participating Public Agency and the Participating Public Agency's Contractors and Subcontractors shall contain the procurement provisions of Appendix II to CFR Part 200, as applicable.

**APPENDIX II TO 2 CFR 200**

1. **Remedies.** Contracts for more than the federal simplified acquisition threshold (SAT), the dollar amount below which a Non-Federal Entity ("NFE") may purchase property or services using small purchase methods, currently set at \$250,000 for procurements made on or after June 20, 2018, must address administrative, contractual, or legal remedies in instances where contractors violate or breach contract terms, and must provide for sanctions and penalties as appropriate.  
*Pursuant to this Federal Rule, 1, Remedies, above, when a Participating Public Agency spends federal funds, the Participating Public Agency reserves all rights and privileges under the applicable laws and regulations with respect to this procurement in the event of breach of contract by either party.*  
ECT agrees  
(Initial of Supplier's Authorized Representative)
2. **Termination for Cause and Convenience.** Contracts for cause and for convenience by the grantee or subgrantee, including the manner by which it will be carried out and the basis for settlement. This applies to contracts that are more than \$10,000.  
*Pursuant to this Federal Rule, 2, Termination for Cause and Convenience above, when a Participating Public Agency spends federal funds, the Participating Public Agency reserves the right to immediately terminate any agreement in excess of \$10,000 resulting from this procurement process in the event of a breach or default of the agreement by Supplier or for convenience as detailed in the terms of the contract.*  
ECT agrees  
(Initial of Supplier's Authorized Representative)
3. **Equal Employment Opportunity.** Except as otherwise provided under 41 CFR Part 60, all contracts that meet the definition of "federally assisted construction contract" must include the equal opportunity clause found in 2 CFR Part 200.  
*Pursuant to this Federal Rule, 3, Equal Employment Opportunity above, when a Participating Public Agency spends federal funds on any federally assisted construction contract, the equal opportunity clause is incorporated by reference herein.*  
ECT agrees  
(Initial of Supplier's Authorized Representative)



**EXHIBIT F**  
**FEDERAL FUNDS CONTRACT PROVISIONS**

4. **Davis-Bacon Act.** When required by the federal program legislation, prime construction contracts over \$2,000 awarded by NFEs must include a provision for compliance with the Davis-Bacon Act. In accordance with the statute, contractors must pay wages to laborers and mechanics at a rate not less than the prevailing wages specified in the Secretary of Labor's wage determination. Additionally, contractors are required to pay wages at least once per week. The NFE must place a copy of the Department of Labor's current prevailing wage determination in each solicitation. Contracts or subcontracts must be awarded on the condition that the prevailing wage determination is accepted. The NFE must report all suspected or reported violations to the federal awarding agency. The contracts must also include a provision for compliance with the Copeland "Anti-Kickback" Act for all contracts subject to the Davis-Bacon Act. According to 29 CFR § 5.5(a)(5), the regulatory requirements for the Copeland "Anti-Kickback" Act are incorporated by reference into the required contract provision, so a separate contract provision is not necessary. The NFE must and hereby includes the provisions at 29 CFR § 5.5(a)(1)-(10) in full into all applicable contracts and all applicable contractors must include their provisions in full in any subcontracts.

*Pursuant to Federal Rule, 4, Davis-Bacon Act above, when a Participating Public Agency spends federal funds during the term of the award for all contracts and subcontracts for construction or repair, Supplier will be in compliance with all applicable Davis-Bacon Act provisions.*

ECT agrees  
(Initial of Supplier's Authorized Representative)

5. **Copeland "Anti-Kickback" Act.** The Copeland "Anti-Kickback" Act prohibits workers on construction contracts from giving up wages that they are owed. This Act prohibits each contractor and subcontractor from any form of persuading a person employed in construction, completion, or repair of public work to give up any part of their rightful compensation. The NFE must report all suspected or reported violations of the Copeland "Anti-Kickback" Act the Federal awarding agency. The contractor shall comply with 18 U.S.C § 874, 40 U.S.C § 3145, and the requirements of 29 CFR Part 3 as may be applicable, which are incorporated by reference into this contract. The contractor or subcontractor shall insert in any subcontracts the clause above and such other clauses as the Federal funding agreement instructions require, and also a clause requiring the subcontractors to include these clauses in any lower tier subcontracts. The prime contractor shall be responsible for compliance by any subcontractor or lower tier subcontractor with all of these contract clauses. A breach of the contract clauses above may be grounds for termination of the contract, and for debarment as a contractor and subcontractor as provided in 29 CFR § 5.12.

*Pursuant to Federal Rule, 5, Copeland "Anti-Kickback" Act, when a Participating Public Agency spends federal funds during the term of the award for all contracts and subcontracts for construction and repair, Supplier will be in compliance with all applicable Copeland "Anti-Kickback" Act provisions.*

ECT agrees  
(Initial of Supplier's Authorized Representative)

**EXHIBIT F**  
**FEDERAL FUNDS CONTRACT PROVISIONS**

6. **Contract Work Hours and Safety Standards Act.** Where applicable, all contracts awarded by the NFE of more than \$100,000 that involve the employment of mechanics or laborers must include a provision for compliance with statutory requirements on work hours and safety standards. Under 40 U.S.C. § 3702, each contractor must base wages for every mechanic and laborer on a standard 40-hour work week. Work over 40 hours is allowed, so long as the worker is paid at least one and a half times the base pay rate for all hours worked over 40 hours in the work week. Additionally, for construction work, under 40 U.S.C. § 3704, work surroundings and conditions for laborers and mechanics must not be unsanitary or unsafe. Relevant definitions are at 40 U.S.C. § 3701 and 29 CFR § 5.2. These requirements do not apply to the purchase of supplies or materials ordinarily available on the open market, or contracts for transportation or transmission of intelligence.

*Pursuant to Federal Rule, 6, Contract Work Hours and Safety Standards Act above, when a Participating Public Agency spends federal funds, Supplier certifies that Supplier will be in compliance with all applicable provisions of the Contract Work Hours and Safety Standards Act during the term of an award for all contracts by Participating Public Agency resulting from this procurement process.*

ECF \_\_\_\_\_ agrees  
(Initial of Supplier's Authorized Representative)

7. **Rights to Inventions Made Under a Contract or Agreement.** This contract provision outlines the rules governing the ownership of inventions created using federal funds. If the Federal award meets the definition of funding agreement and the NFE enters into any contract involving substitution of parties, assignment or performance of experimental, developmental or research work under that funding agreement, then the NFE must comply with the requirements of 37 CFR Part 401 and any implementing regulations issued by the Federal awarding agency. The regulation at 37 CFR § 401.2(a) defines funding agreement as "any contract, grant, or cooperative agreement entered into between any federal agency, other than the Tennessee Valley Authority, and any contractor for the performance of experimental, developmental, or research work funded in whole or in part by the federal government. This term also includes any assignment, substitution of parties, or subcontract of any type entered into for the performance of experimental, development, or research work under a funding agreement as defined in this paragraph.

*Pursuant to Federal Rule, 7, Rights to Inventions Made Under a Contract or Agreement above, when federal funds are spent by a Participating Public Agency, the Supplier certifies that during the term of an award for all contracts by Participating Public Agency resulting from this procurement process, the Supplier agrees to comply with all applicable requirements as referenced in this Federal Rule.*

ECF \_\_\_\_\_ agrees  
(Initial of Supplier's Authorized Representative)

**EXHIBIT F**  
**FEDERAL FUNDS CONTRACT PROVISIONS**

- 8. Clean Air Act and Federal Water Pollution Control Act.** For contracts over \$150,000, contractors must agree to comply with all applicable standards, orders or regulations issued pursuant to the Clean Air Act, as amended, 42 U.S. C. § 7401 and the Federal Water Pollution Control Act, as amended, 33 U.S.C. § 1251. The contractor agrees to include these requirements in each subcontract exceeding \$150,000 financed in whole or in part with federal assistance provided by the Federal awarding agency. Violations must be reported to Federal awarding agency and the Regional Office of the Environmental Protection Agency (EPA).

*Pursuant to Federal Rule, 8, Clean Air Act and Federal Water Pollution Control Act above, when federal funds are spent by Participating Public Agency, the Supplier certifies that during the term of an award for all contracts by Participating Public Agency resulting from this procurement process, the Supplier agrees to comply with all applicable requirements as referenced in this Federal Rule.*

ECF agrees  
(Initial of Supplier's Authorized Representative)

- 9. Debarment and Suspension.** For all contracts and subcontracts (see 2 CFR § 180.220), an award must not be made to parties listed on the governmentwide exclusions in the System for Award Management (SAM). SAM Exclusions is the list maintained by the General Services Administration that contains the names of parties that are debarred, suspended, or otherwise excluded, or declared ineligible under statutory or regulatory authority other than Executive Order 12549.

*Pursuant to Federal Rule, 9, Debarment and Suspension above, when federal funds are spent by Participating Public Agency, the Supplier certifies that during the term of the award for all contracts by Participating Public Agency resulting from this procurement process, the Supplier certifies that none of its principals or its affiliates are debarred, suspended, or otherwise excluded, or ineligible from participation by any federal department or agency. If at any time during the term of the award the Supplier or its principals or affiliates become debarred, suspended, or otherwise excluded, or ineligible by any federal department or agency, the Supplier will notify the Participating Public Agency.*

ECF agrees  
(Initial of Supplier's Authorized Representative)

- 10. Byrd Anti-Lobbying Amendment.** Contractors that apply or bid for an award of more than \$100,000 must file the required certification. Each tier certifies to the tier above that it will not and has not used federal appropriated funds to pay any person or organization for influencing or attempting to influence an employee of a federal agency, a Member of Congress, an employee of Congress, or an employee of a Member of Congress in connection with receiving any federal contract, grant, or other award covered by 31 U.S.C. § 1352. Each tier must also disclose any lobbying with non-federal funds that takes place in connection with obtaining any federal award. Such disclosures are forwarded from tier to tier, up to the recipient who in turn will forward the certification(s) to the federal awarding agency.

**EXHIBIT F**  
**FEDERAL FUNDS CONTRACT PROVISIONS**

*Pursuant to Federal Rule, 10, Byrd Anti-Lobbying above, when federal funds are expended by Participating Public Agency, the Supplier certifies that during the term and after the awarded term of an award for all contracts by Participating Public Agency resulting from this procurement process, the Supplier certifies that it is in compliance with all applicable provisions of the Byrd Anti-Lobbying Amendment. The undersigned further certifies:*

*No federal appropriated funds have been paid or will be paid, by or on behalf of the undersigned, to any person for influencing or attempting to influence an officer or employee of an agency, a Member of Congress, an officer or employee of Congress, or an employee of a Member of Congress in connection with the awarding of any federal contract, the making of any federal grant, the making of any federal loan, the entering into of any cooperative agreement, and the extension, continuation, renewal, amendment, or modification of any federal contract, grant, loan, or cooperative agreement.*

*If any funds other than federal appropriated funds have been paid or will be paid to any person for influencing or attempting to influence an officer or employee of any agency, a Member of Congress, an officer or employee of Congress, or an employee of a Member of Congress in connection with this federal contract, grant, loan, or cooperative agreement, the undersigned shall complete and submit Standard Form-LLL, "Disclosure Form to Report Lobbying," in accordance with its instructions.*

*The undersigned shall require that the language of this certification be included in the award documents for all subawards at all tiers (including subcontracts, subgrants, and contracts under grants, loans, and cooperative agreements) exceeding \$100,000 and that all subrecipients shall certify and disclose accordingly.*

ECF agrees  
(Initial of Supplier's Authorized Representative)

11. **Procurement of Recovered Materials.** Contractors must comply with Section 6002 of the Solid Waste Disposal Act when the purchase price is greater than \$10,000. In the performance of this contract, Contractor shall make maximum use of products containing recovered material that are EPA-designated items unless the product cannot be acquired (i) competitively within a timeframe providing for compliance with the contract performance schedule; (ii) meeting contract performance requirements; or (iii) at a reasonable price. Information about this requirement, along with the list of EPA-designated items, is available at EPA's Comprehensive Procurement Guidelines webpage: <https://www.epa.gov/smm/comprehensive-procurement-guideling-cpg-program>. The Contractor also agrees to comply with all other applicable requirements of Section 6002 of the Solid Waste Disposal Act.

*Pursuant to Federal Rule, 11, Procurement of Recovered Materials above, when federal funds are spent by Participating Public Agency, the Supplier certifies that during the term of an award for all contracts by Participating Public Agency resulting from this procurement process, the Supplier certifies it will be in compliance with Section 6002 of the Solid Waste Disposal Act.*

ECF agrees  
(Initial of Supplier's Authorized Representative)

**EXHIBIT F  
FEDERAL FUNDS CONTRACT PROVISIONS**

12. **Domestic Preferences for Procurements.** As appropriate, and to the extent consistent with law, the Contractor should, to the greatest extent practicable, provide a preference for the purchase, acquisition, or use of goods, products, or materials produced in the United States. This includes, but is not limited to iron, aluminum, steel, cement, and other manufactured products. For the purposes of this clause, produced in the United States means, for iron and steel products, that all manufacturing processes, from the initial melting stage through the application of coatings, occurred in the United States. Manufactured products mean items and construction materials composed in whole or in part of non-ferrous metals such as aluminum; plastics and polymer-based products such as polyvinyl chloride pipe; aggregates such as concrete; glass, including optical fiber; and lumber.

*Pursuant to Federal Rule, 13, Domestic Preferences for Procurements above, when federal funds are spent by Participating Public Agency, the Supplier certifies that during the term of an award for all contracts by Participating Public Agency resulting from this procurement process, the Supplier certifies that it will comply with this Domestic Preference for Procurements.*

ECF \_\_\_\_\_ agrees  
(Initial of Supplier's Authorized Representative)

---

**Supplier agrees to comply with all federal, state, and local laws, rules, regulations and ordinances, as applicable. It is further acknowledged that Supplier certifies compliance with all provisions, laws, acts, regulations, etc. as specifically noted above.**

Company Name: The Toro Company

Address, City, State, Zip Code: 8111 Lyndale Avenue South

Bloomington, MN 55420

Phone: 952.888.8801

Fax: 952.887.7211

Printed Name of Authorized Signer: Edric Funk

Email address of Authorized Signer: edric.funk@toro.com

Signature of Authorized Signer: Edric C. Funk

Date: 3/16/2023

**EXHIBIT G**  
**FEMA (FEDERAL EMERGENCY MANAGEMENT AGENCY)**  
**RECOMMENDED CONTRACT PROVISIONS**

agreement, and the extension, continuation, renewal, amendment, or modification of any federal contract, grant, loan, or cooperative agreement.

If any funds other than federal appropriated funds have been paid or will be paid to any person for influencing or attempting to influence an officer or employee of any agency, a Member of Congress, an officer or employee of Congress, or an employee of a Member of Congress in connection with this federal contract, grant, loan, or cooperative agreement, the undersigned shall complete and submit Standard Form-LLL, "Disclosure Form to Report Lobbying," in accordance with its instructions.

The undersigned shall require that the language of this certification be included in the award documents for all subawards at all tiers (including subcontracts, subgrants, and contracts under grants, loans, and cooperative agreements) and that all subrecipients shall certify and disclose accordingly.

This certification is a material representative of fact upon which reliance was placed when this transaction was made or entered into. Submission of this certification is a prerequisite for making or entering into this transaction imposed by section 1352, Title 31, U.S.C. Any person who fails to file the required certification shall be subject to a civil penalty of not less than \$10,000 and not more than \$100,000 for each such failure.

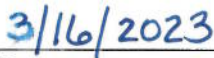
The Contractor, [The Toro Company](#), certifies or affirms the truthfulness and accuracy of each statement of its certification and disclosure, if any. In addition, the Contractor understands and agrees that the provisions of 31 U.S.C Chap. 38, Administrative Remedies for False Claims and Statements, apply to this certification and disclosure, if any.



\_\_\_\_\_  
Signature of Contractor's Authorized Official

Edric Funk, Group Vice President

\_\_\_\_\_  
Name and Title of Contractor's Authorized Official



\_\_\_\_\_  
Date

11. Procurement of Recovered Materials

Applicability: This provision applies to all procurements over \$10,000 made by a state agency or an agency of a political subdivision of a state and its contractors.

**EXHIBIT G**  
**FEMA (FEDERAL EMERGENCY MANAGEMENT AGENCY)**  
**RECOMMENDED CONTRACT PROVISIONS**

as used herein, shall include any work subject to copyright under 17 U.S.C. § 102, for example, any written reports or literary works, software and/or source code, music, choreography, pictures or images, graphics, sculptures, videos, motion pictures or other audiovisual works, sound and/or video recordings, and architectural works. Upon or before the completion of this Contract, the Contractor will deliver to the Participating Public Agency data first produced in the performance of this Contract and data required by the Contract but not first produced in the performance of this Contract in formats acceptable by the Participating Public Agency.

**Supplier agrees to comply will all terms and conditions outlined in the FEMA Special Conditions section of this solicitation.**

Company Name: The Toro Company

Address, City, State, Zip Code: 8111 Lyndale Avenue South

Bloomington, MN 55420

Phone: 952.888.8801

Fax: 952.887.7211

Printed Name of Authorized Signer: Edric Funk

Email address of Authorized Signer: edric.funk@toro.com

Signature of Authorized Signer: 

Date: 3/16/2023

**EXHIBIT H  
ATTACHMENT 3  
AFFIRMATIVE ACTION AFFIDAVIT  
P.L. 1975, c.127**

Company Name: The Toro Company  
Address: 8111 Lyndale Avenue South, Bloomington, MN 55420

**Proposal Certification:** Indicate below your company's compliance with New Jersey Affirmative Action regulations. Company's proposal will be accepted even if not in compliance at this time. No contract and/or purchase order may be issued, however, until all Affirmative Action requirements are met.

**Required Affirmative Action Documentation:**

The Supplier shall submit with its proposal, ONE of the following three documents:

- (1) Letter of Federal Affirmative Action Plan Approval
- (2) Certificate of Employee Information Report
- (3) Employee Information Report Form AA302

**Public Work – Project Cost over \$50,000:**

- (1) If company has no approved Federal or New Jersey Affirmative Action Plan. Company will complete New Jersey Form AA-201 upon award; or
- (2) Company has a Federal or New Jersey Affirmative Action Plan – certificate is enclosed.

*I further certify the statements and information contained herein, are complete and correct to the best of my knowledge and belief.*

  
*Authorized Signature*

Edric Funk  
*Printed Name*

Group Vice President  
*Title*

3/17/2023  
*Date*





**EXHIBIT H  
ATTACHMENT 5  
STOCKHOLDER DISCLOSURE CERTIFICATION**

**Name of Business:** The Toro Company

I certify that the list below contains the names and home addresses of all stockholders holding 10% or more of the issued and outstanding stock of the undersigned.

**OR**

I certify that no one stockholder owns 10% or more of the issued and outstanding stock of the undersigned.

**Check the box that represents the type of business organization:**

Partnership

Corporation

Sole

Proprietorship

Limited Partnership

Limited Liability Corporation

Limited Liability Partnership

Subchapter S Corporation

**Sign and notarize the form below, and, if necessary, complete the stockholder list below. Use more space as necessary.**

Stockholders:

Name: \_\_\_\_\_  
Home Address: \_\_\_\_\_

Name: \_\_\_\_\_  
Home Address: \_\_\_\_\_

Name: \_\_\_\_\_  
Home Address: \_\_\_\_\_  
\_\_\_\_\_

Name: \_\_\_\_\_  
Home Address: \_\_\_\_\_  
\_\_\_\_\_

EXHIBIT H  
ATTACHMENT 5

Subscribed and sworn before me this 17 day of March, 2023, Edric C. Funk  
(Affiant)

Jan. 31, 2025  
(Notary Public)  
My Commission expires:

Edric Funk  
Group Vice President  
(Print name & title of affiant)  
(Corporate Seal)

*Elizabeth Jane Burtman*



**STATE OF NEW JERSEY**  
**Division of Purchase & Property**  
**Contract Compliance Audit Unit**  
**EEO Monitoring Program**

**EMPLOYEE INFORMATION REPORT**

**IMPORTANT-READ INSTRUCTIONS CAREFULLY BEFORE COMPLETING FORM. FAILURE TO PROPERLY COMPLETE THE ENTIRE FORM AND TO SUBMIT THE REQUIRED \$150.00 FEE MAY DELAY ISSUANCE OF YOUR CERTIFICATE. DO NOT SUBMIT EEO-1 REPORT FOR SECTION B, ITEM 11. For instructions on completing the form, go to: [https://www.nj.gov/treasury/contract\\_compliance/documents/pdf/forms/aa302ins.pdf](https://www.nj.gov/treasury/contract_compliance/documents/pdf/forms/aa302ins.pdf)**

**SECTION A - COMPANY IDENTIFICATION**

1. FID. NO. OR SOCIAL SECURITY 41-058047	2. TYPE OF BUSINESS <input checked="" type="checkbox"/> 1. MFG <input type="checkbox"/> 2. SERVICE <input type="checkbox"/> 3. WHOLESALE <input type="checkbox"/> 4. RETAIL <input type="checkbox"/> 5. OTHER	3. TOTAL NO. EMPLOYEES IN THE ENTIRE COMPANY 11607
4. COMPANY NAME The Toro Company		COMPANY E-MAIL
5. STREET 8111 Lyndale Avenue	CITY Bloomington	COUNTY Hennepin
	STATE MN	ZIP CODE 55420
6. NAME OF PARENT OR AFFILIATED COMPANY (IF NONE, SO INDICATE)		CITY      STATE      ZIP CODE
7. CHECK ONE: IS THE COMPANY: <input type="checkbox"/> SINGLE-ESTABLISHMENT EMPLOYER <input checked="" type="checkbox"/> MULTI-ESTABLISHMENT EMPLOYER		
8. IF MULTI-ESTABLISHMENT EMPLOYER, STATE THE NUMBER OF ESTABLISHMENTS IN NJ <span style="border: 1px solid black; padding: 0 5px;">1</span>		
9. TOTAL NUMBER OF EMPLOYEES AT ESTABLISHMENT WHICH HAS BEEN AWARDED THE CONTRACT <span style="border: 1px solid black; padding: 0 20px;"> </span>		
10. PUBLIC AGENCY AWARDED CONTRACT		
	CITY	COUNTY      STATE      ZIP CODE

Official Use Only	DATE RECEIVED	INAUG.DATE	ASSIGNED CERTIFICATION NUMBER

**SECTION B - EMPLOYMENT DATA**

11. Report all permanent, temporary and part-time employees ON YOUR OWN PAYROLL. Enter the appropriate figures on all lines and in all columns. Where there are no employees in a particular category, enter a zero. Include ALL employees, not just those in minority/non-minority categories, in columns 1, 2, & 3. **DO NOT SUBMIT AN EEO-1 REPORT.**

JOB CATEGORIES	ALL EMPLOYEES	PERMANENT MINORITY/NON-MINORITY EMPLOYEE BREAKDOWN														
		COL. 1	COL. 2	COL. 3	***** MALE*****						*****FEMALE*****					
		Total	Male	Female	BLACK	HISPANIC	AMER INDIAN	ASIAN	NON MIN	2 OR MORE RACES	BLACK	HISPANIC	AMER INDIAN	ASIAN	NON MIN	2 OR MORE RACES
	(Cols.2 &3)															
<b>Officials/Managers</b>	819	672	147	7	42	3	11	592	4	2	8	4	2	128	1	
<b>Professionals</b>	1569	1203	366	14	55	15	59	1017	18	2	11	5	18	321	5	
<b>Technicians</b>	286	262	24	9	27	7	5	206	2	1	9	0	0	14	0	
<b>Sales Workers</b>	218	194	24	1	11	2	1	171	4	0	0	0	0	24	0	
<b>Office &amp; Clerical</b>	267	94	173	4	13	1	1	69	2	0	24	5	1	140	1	
<b>Craftworkers (Skilled)</b>	496	395	101	12	61	9	5	299	3	0	23	2	8	66	0	
<b>Operatives (Semi-skilled)</b>	4348	3418	930	107	430	70	183	2595	39	7	206	18	36	648	8	
<b>Laborers (Unskilled)</b>	18	16	2	2	1	0	1	12	1	0	0	0	0	2	0	
<b>Service Workers</b>	34	16	18	0	4	0	0	11	0	0	2	0	0	16	0	
<b>TOTAL</b>	8055	6270	1785	156	644	107	219	4972	73	12	283	34	65	1359	15	
<b>Total employment From previous Report (if any)</b>																
The data below shall NOT be included in the figures for the appropriate categories above.																
<b>Temporary &amp; Part-Time Employees</b>	15	13	2	0	1	0	3	8	1	0	0	0	1	1	0	

12. HOW WAS INFORMATION AS TO RACE OR ETHNIC GROUP IN SECTION B OBTAINED? <input type="checkbox"/> 1. Visual Survey <input checked="" type="checkbox"/> 2. Employment Record <input type="checkbox"/> 3. Other (Specify)	14. IS THIS THE FIRST Employee Information Report Submitted? 1. YES <input checked="" type="checkbox"/> 2. NO <input type="checkbox"/>	15. IF NO, DATE LAST REPORT SUBMITTED MO.   DAY   YEAR
13. DATES OF PAYROLL PERIOD USED From: 3/06/2023      To: 3/19/2023		

**SECTION C - SIGNATURE AND IDENTIFICATION**

16. NAME OF PERSON COMPLETING FORM (Print or Type) Viane Hoefs	SIGNATURE 	TITLE Director Talent Acquisiti	DATE MO   DAY   YEAR 03   16   2023
17. ADDRESS NO. & STREET 8111 Lyndale Avenue	CITY Bloomington	COUNTY Hennepin	STATE MN
	ZIP CODE 55420	PHONE (AREA CODE, NO., EXTENSION) 952 - 887 - 8682	



# DISCLOSURE OF INVESTMENT ACTIVITIES IN IRAN FORM

STATE OF NEW JERSEY  
DEPARTMENT OF THE TREASURY - DIVISION OF PURCHASE AND PROPERTY  
33 WEST STATE STREET, P.O. BOX 230 TRENTON, NEW JERSEY 08625-0230

**BID SOLICITATION # AND TITLE:** AU-2023-0000634 Grounds Maintenance Equipment

**VENDOR NAME:** The Toro Company

Pursuant to N.J.S.A. 52:32-57, et seq. (P.L. 2012, c.25 and P.L. 2021, c.4) any person or entity that submits a bid or proposal or otherwise proposes to enter into or renew a contract must certify that neither the person nor entity, nor any of its parents, subsidiaries, or affiliates, is identified on the New Jersey Department of the Treasury's Chapter 25 List as a person or entity engaged in investment activities in Iran. The Chapter 25 list is found on the Division's website at <https://www.state.nj.us/treasury/purchase/pdf/Chapter25List.pdf>. Vendors/Bidders must review this list prior to completing the below certification. If the Director of the Division of Purchase and Property finds a person or entity to be in violation of the law, s/he shall take action as may be appropriate and provided by law, rule or contract, including but not limited to, imposing sanctions, seeking compliance, recovering damages, declaring the party in default and seeking debarment or suspension of the party.

### CHECK THE APPROPRIATE BOX

I certify, pursuant to N.J.S.A. 52:32-57, et seq. (P.L. 2012, c.25 and P.L. 2021, c.4), that neither the Vendor/Bidder listed above nor any of its parents, subsidiaries, or affiliates is listed on the New Jersey Department of the Treasury's Chapter 25 List of entities determined to be engaged in prohibited activities in Iran.

**OR**

I am unable to certify as above because the Vendor/Bidder and/or one or more of its parents, subsidiaries, or affiliates is listed on the New Jersey Department of the Treasury's Chapter 25 List. I will provide a detailed, accurate and precise description of the activities of the Vendor/Bidder, or one of its parents, subsidiaries or affiliates, has engaged in regarding investment activities in Iran by completing the information requested below.

Entity Engaged in Investment Activities  
Relationship to Vendor/ Bidder  
Description of Activities

---

---

---

Duration of Engagement  
Anticipated Cessation Date

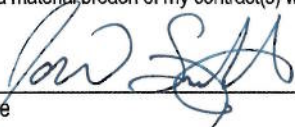
---

---

*\*Attach Additional Sheets If Necessary.*

### CERTIFICATION

I, the undersigned, certify that I am authorized to execute this certification on behalf of the Vendor, that the foregoing information and any attachments hereto, to the best of my knowledge are true and complete. I acknowledge that the State of New Jersey is relying on the information contained herein, and that the Vendor is under a continuing obligation from the date of this certification through the completion of any contract(s) with the State to notify the State in writing of any changes to the information contained herein; that I am aware that it is a criminal offense to make a false statement or misrepresentation in this certification. If I do so, I may be subject to criminal prosecution under the law, and it will constitute a material breach of my contract(s) with the State, permitting the State to declare any contract(s) resulting from this certification void and unenforceable.

  
\_\_\_\_\_  
Signature

03/20/2023

\_\_\_\_\_  
Date

Jon Stodola, Government Contracts Manager

Print Name and Title